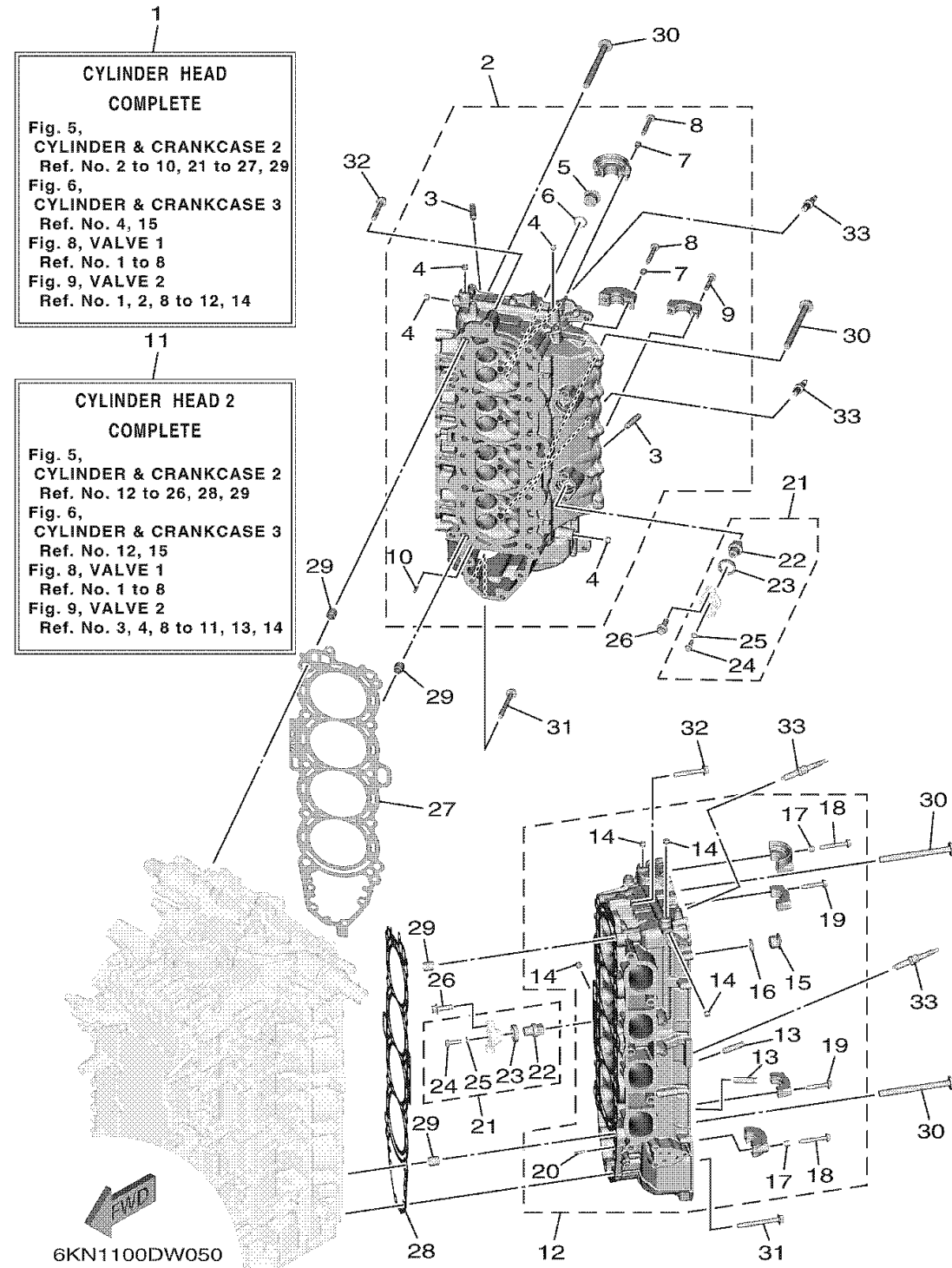


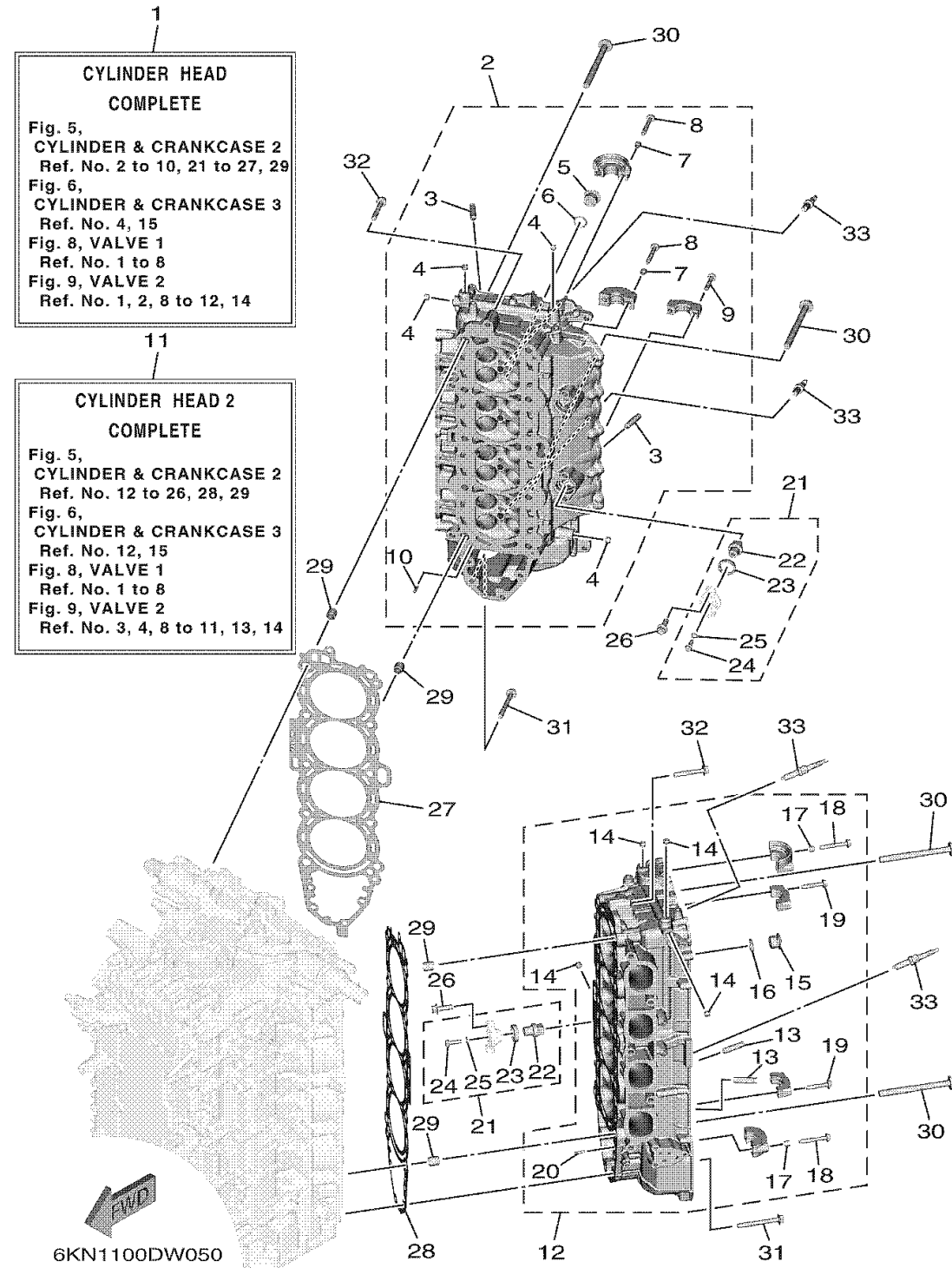
CYLINDER CRANKCASE 2



Ref No.	Part Number	Description	Qty	Remarks
1	6KN-W009A-01-9S	CYLINDER HEAD COMPLETE	1	
2	6KN-11110-00-00	CYLINDER HEAD ASSY	1	
3	6DA-11133-10-00	..GUIDE, VALVE 1	16	
4	90344-51019-00	..PLUG, TAPER SCREW	4	
5	90340-97002-00	..PLUG, STRAIGHT SCREW	3	
6	93210-18322-00	..O-RING	3	
7	91809-08006-00	..PIN, DOWEL	4	
8	90119-07235-00	..BOLT/WASHER-CAM CAPS	4	
9	90119-07234-00	..BOLT, WITH WASHER	18	
10	91690-40018-00	..PIN, SPRING	1	
11	6KN-W009C-01-9S	CYLINDER HEAD 2 COMPLETE	1	
12	6KN-11120-00-00	CYLINDER HEAD ASSY 2	1	
13	6DA-11133-10-00	..GUIDE, VALVE 1	16	
14	90344-51019-00	..PLUG, TAPER SCREW	4	
15	90340-97002-00	..PLUG, STRAIGHT SCREW	3	
16	93210-18322-00	..O-RING	3	
17	91809-08006-00	..PIN, DOWEL	4	
18	90119-07235-00	..BOLT/WASHER-CAM CAPS	4	
19	90119-07234-00	..BOLT, WITH WASHER	18	
20	91690-40018-00	..PIN, SPRING	1	

CONTINUED ON NEXT FRAME >

CYLINDER CRANKCASE 2



Ref No.	Part Number	Description	Qty	Remarks
21	6ML-11301-00-00	ANODE COVER ASSY	4	
22	6ML-11325-00-00	.ANODE	1	
23	67F-11328-01-00	.GROMMET, ANODE	1	
24	90105-06M07-00	.BOLT, FLANGE	1	
25	90430-06M03-00	.GASKET	1	
26	95D95-08025-00	BOLT, FLANGE DEEP RECESS	8	
27	6KN-11181-00-00	.GASKET, CYLINDER HEAD 1	1	
28	6KN-11182-00-00	.GASKET, CYLINDER HEAD 2	1	
29	90387-11005-00	COLLAR	4	
30	90149-11001-00	SCREW	20	
31	90105-08220-00	BOLT, FLANGE	8	
32	90105-08175-00	BOLT, FLANGE	2	
33	94702-00447-00	PLUG, SPARK (NGK ILMAR7H9)	8	