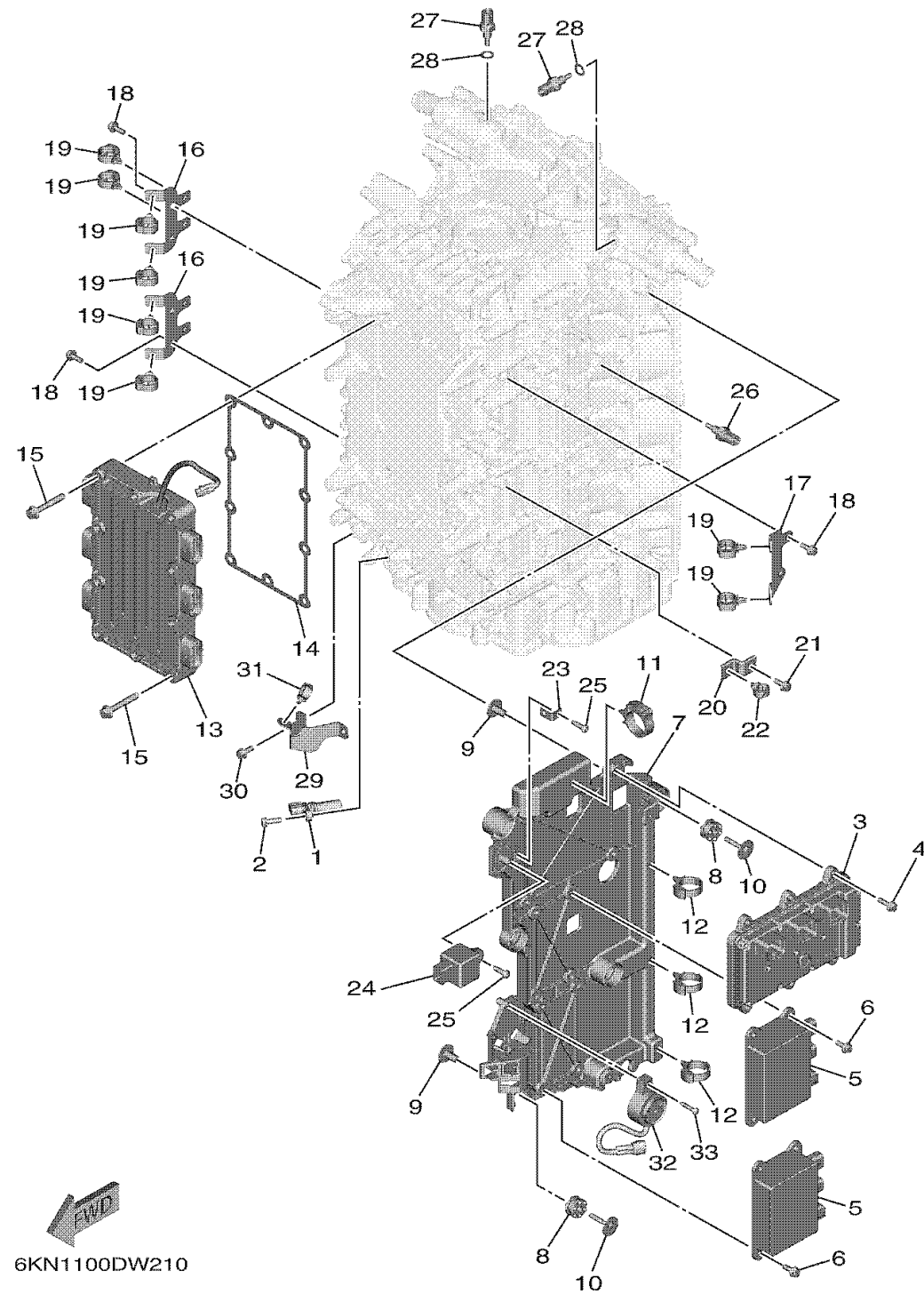


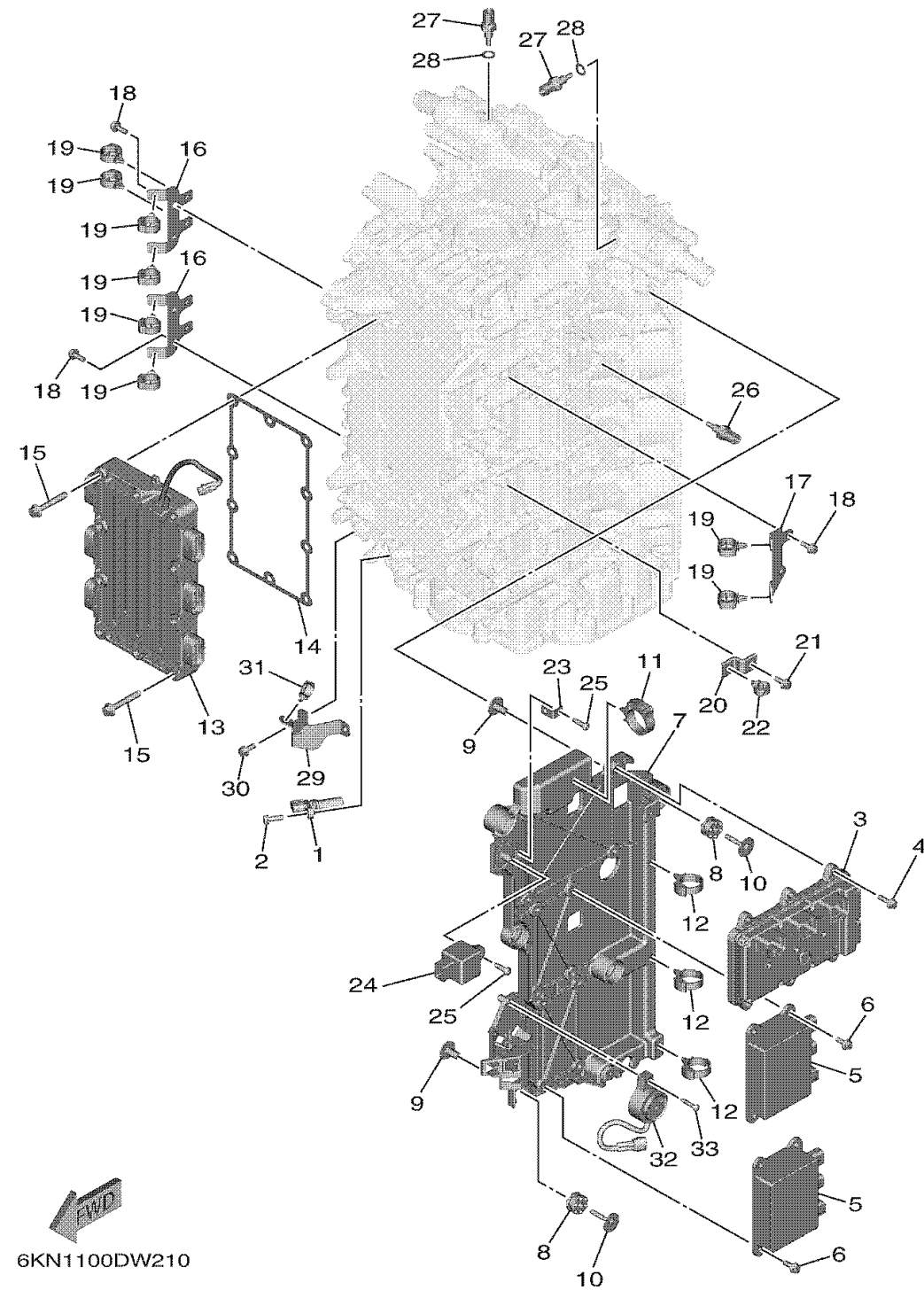
# ELECTRICAL 1



Ref No.	Part Number	Description	Qty	Remarks
1	6GR-85895-00-00	CRANK POSITION SENSOR	1	
2	97E95-06520-00	BOLT, HEXAGON W/W DEEP RECESS	1	
3	6KN-8591A-00-00	ENGINE CONTROL UNIT ASSY	1	
4	95D95-06020-00	BOLT, FLANGE DEEP RECESS	4	
5	6GR-8591B-00-00	DRIVER, INJECTOR ASSY	2	
6	95D95-06016-00	BOLT, FLANGE DEEP RECESS	8	
7	6GR-81948-02-00	BRACKET	1	
8	60V-85564-00-00	GROMMET	6	
9	90387-06176-00	COLLAR	6	
10	90119-06328-00	BOLT, WITH WASHER	6	
11	90464-32002-00	CLAMP	1	
12	90464-12183-00	CLAMP	3	
13	6GR-81960-11-00	RECTIFIER & REGULATOR ASSY	1	
14	6GR-81975-00-00	PLATE, RECTIFIER FITTING	1	
15	90105-08175-00	BOLT, FLANGE	10	
16	6GR-8132G-00-00	PLATE	2	
17	6GR-818D2-00-00	PLATE, 2	1	
18	95D95-06016-00	BOLT, FLANGE DEEP RECESS	6	
19	90464-20181-00	CLAMP	8	
20	6DA-82388-00-00	PLATE	1	

CONTINUED ON NEXT FRAME >

# ELECTRICAL 1



Ref No.	Part Number	Description	Qty	Remarks
21	95D95-06016-00	BOLT, FLANGE DEEP RECESS	1	
22	90464-13249-00	CLAMP	1	
23	68V-85548-01-00	HOLDER	1	
24	68V-81950-00-00	RELAY ASSY	1	
25	97780-60620-00	SCREW, TAPPING	2	
26	4P9-83591-00-00	THERMO UNIT	1	
27	6GR-85790-00-00	THERMOSENSOR ASSY	2	
28	90430-10004-00	GASKET	2	
29	6GR-83614-00-00	BRACKET	1	
30	95D95-06016-00	BOLT, FLANGE DEEP RECESS	2	
31	90464-13249-00	CLAMP	1	
32	6KA-83383-01-00	BUZZER	1	
33	97780-50625-00	SCREW, TAPPING	1	