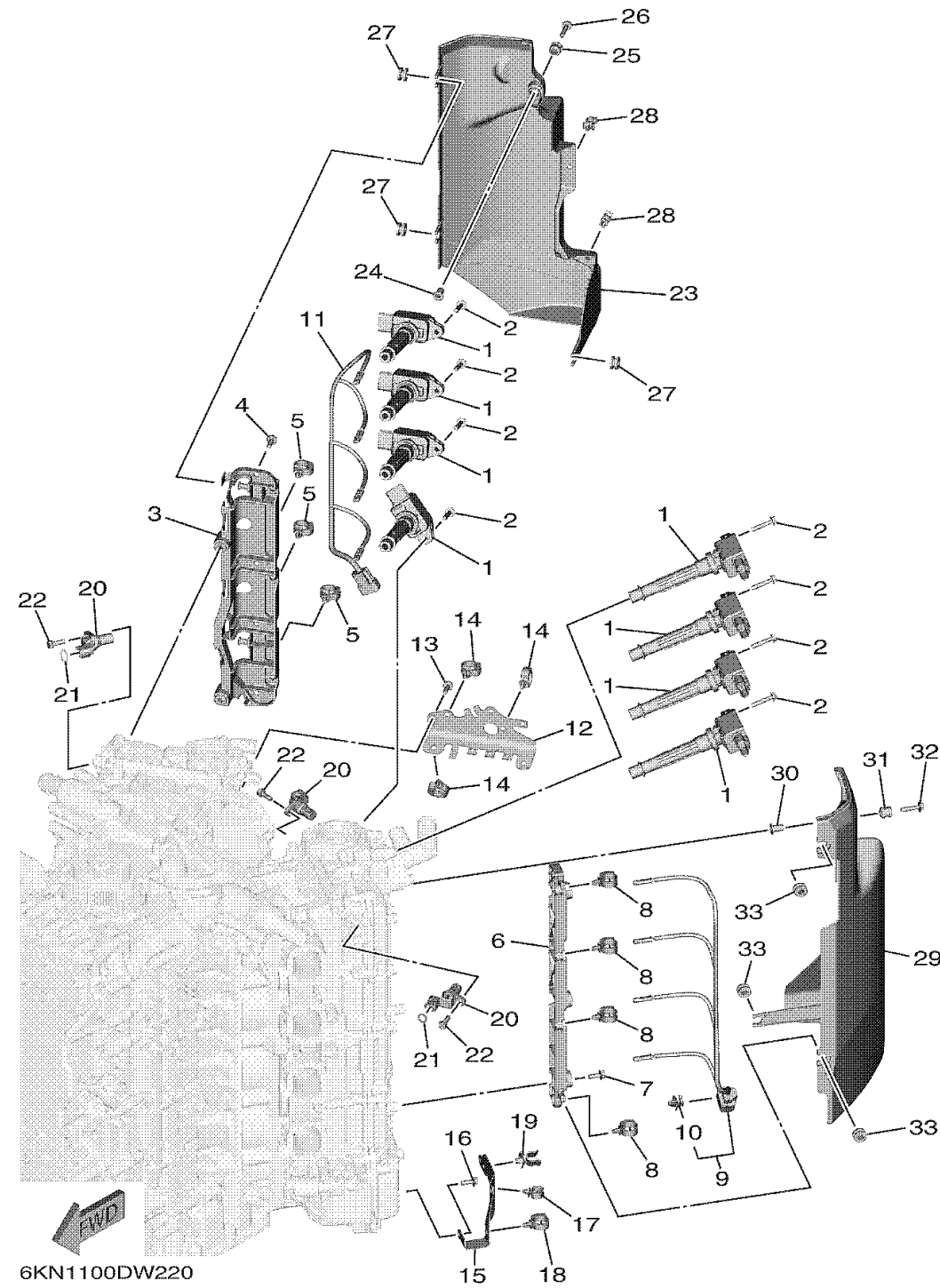


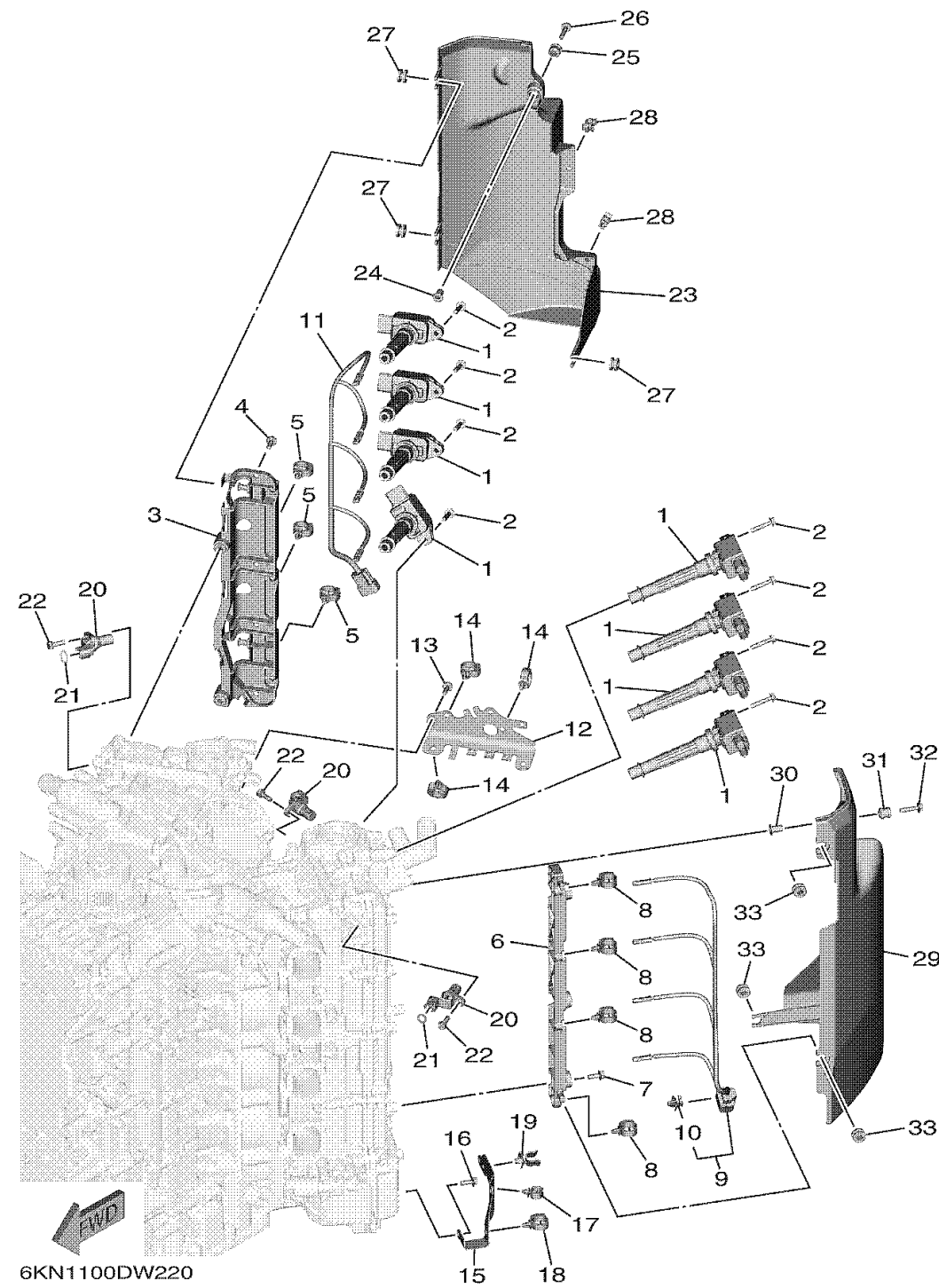
ELECTRICAL 2



Ref No.	Part Number	Description	Qty	Remarks
1	6GR-82310-03-00	IGNITION COIL ASSY	8	
2	90105-06028-00	BOLT, FLANGE	8	
3	6GR-8272F-01-00	PLATE, GUIDE 1	1	
4	95D95-06016-00	BOLT, FLANGE DEEP RECESS	5	
5	90464-20181-00	CLAMP	3	
6	6GR-8272G-01-00	PLATE, GUIDE 2	1	
7	95D95-06016-00	BOLT, FLANGE DEEP RECESS	3	
8	90464-20181-00	CLAMP	4	
9	6GR-82386-00-00	EXTENSION, WIRE HARNESS	1	
10	90464-09M47-00	. .CLAMP	1	
11	6GR-82386-10-00	EXTENSION, WIRE HARNESS	1	
12	6GR-82388-01-00	PLATE	1	
13	95D95-06016-00	BOLT, FLANGE DEEP RECESS	2	
14	90464-20181-00	CLAMP	3	
15	6GR-82389-00-00	PLATE 2	1	
16	95D95-06016-00	BOLT, FLANGE DEEP RECESS	3	
17	90464-13249-00	CLAMP	1	
18	90464-20181-00	CLAMP	1	
19	90464-12015-00	CLAMP	1	
20	6GR-85896-00-00	SENSOR, CAM POSITION	3	

CONTINUED ON NEXT FRAME >

ELECTRICAL 2



Ref No.	Part Number	Description	Qty	Remarks
21	93210-11001-00	O-RING	2	
22	97E95-06520-00	BOLT, HEXAGON W/W DEEP RECESS	3	
23	6GR-11186-01-00	COVER, CYLINDER HEAD SIDE 1	1	
24	90387-06119-00	COLLAR	1	
25	6A0-82317-01-00	DAMPER, IGNITION COIL	1	
26	95D95-06025-00	BOLT, FLANGE DEEP RECESS	1	
27	90480-12314-00	GROMMET	3	
28	90464-09129-00	CLAMP	2	
29	6GR-11187-01-00	COVER, CYLINDER HEAD SIDE 2	1	
30	90387-06119-00	COLLAR	1	
31	6A0-82317-01-00	DAMPER, IGNITION COIL	1	
32	95D95-06025-00	BOLT, FLANGE DEEP RECESS	1	
33	90480-12314-00	GROMMET	3	