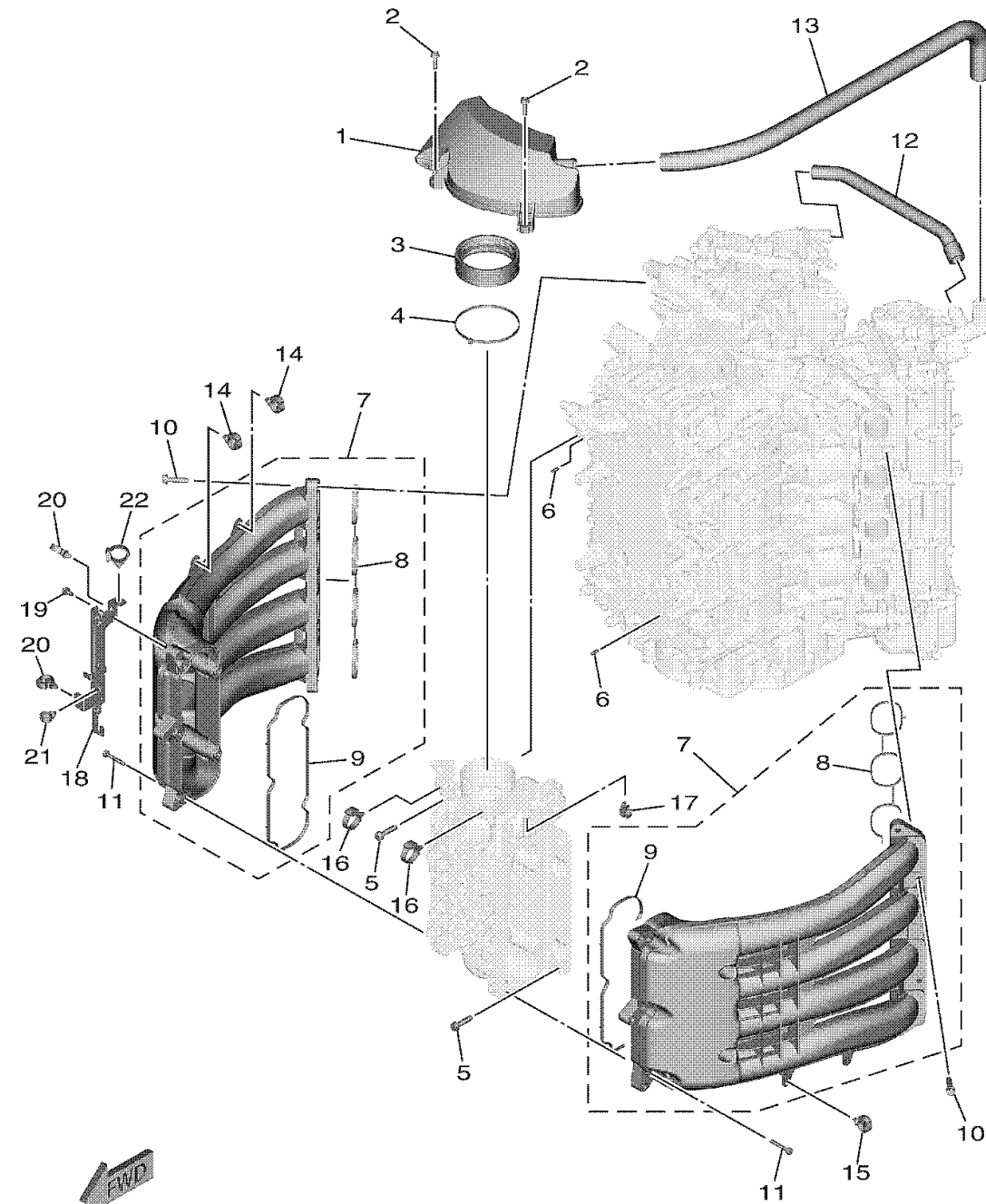


6KN1100DW100

INTAKE

Ref No.	Part Number	Description	Qty	Remarks
1	6KN-14440-00-00	SILENCER ASSY, INTAKE	1	
2	95D95-06025-00	BOLT, FLANGE DEEP RECESS	2	
3	6AW-1441J-01-00	PIPE, SILENCER	1	
4	90464-99004-00	CLAMP	1	
5	90119-08022-00	BOLT, WITH WASHER	6	
6	91690-50014-00	PIN, SPRING	2	
7	6GR-13641-00-00	MANIFOLD, INTAKE 1	2	
8	6GR-13645-00-00	. .GASKET, MANIFOLD 1	1	
9	6GR-13646-00-00	. .GASKET, MANIFOLD 2	1	
10	90119-08022-00	BOLT, WITH WASHER	10	
11	90119-06MA6-00	BOLT, WITH WASHER	10	
12	6GR-1531A-00-00	HOSE, BREATHER 1	1	
13	6KN-1531A-10-00	HOSE, BREATHER 1	1	
14	90464-20181-00	CLAMP	2	
15	90464-20181-00	CLAMP	1	
16	90464-12183-00	CLAMP	2	
17	90464-13249-00	CLAMP	1	
18	6KN-8257G-00-00	CLAMP, CORD	1	
19	95D95-06012-00	BOLT, FLANGE DEEP RECESS	2	
20	90464-20181-00	CLAMP	2	

CONTINUED ON NEXT FRAME >



6KN1100DW100

INTAKE

Ref No.	Part Number	Description	Qty	Remarks
21	90464-13249-00	CLAMP	1	
22	90464-12183-00	CLAMP	1	