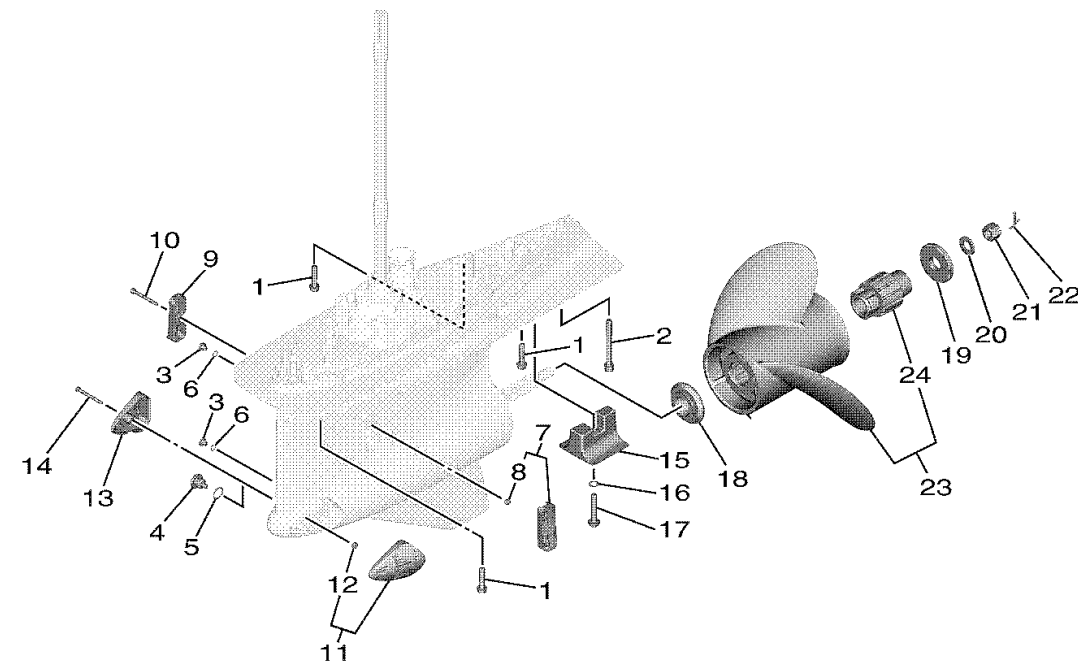



LOWER CASING DRIVE 3

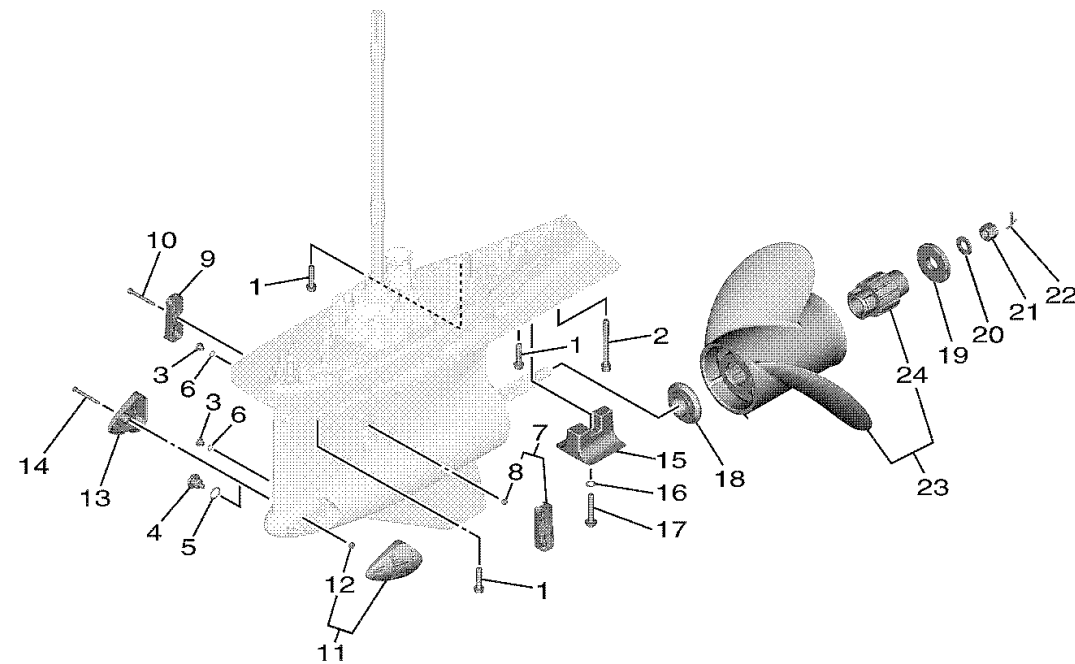


Ref No.	Part Number	Description	Qty	Remarks
1	90119-10024-00	BOLT, WITH WASHER	9	X(25.2")
2	90110-10053-00	BOLT, HEXAGON SOCKET HEAD	1	X(25.2")
3	90340-08003-00	PLUG, STRAIGHT SCREW	2	
4	6GR-45341-00-00	PLUG, DRAIN	1	
5	93210-19123-00	O-RING	1	
6	93210-09165-00	O-RING	2	
7	6GR-45214-01-00	COVER, WATER INLET 1	1	
8	90185-06M07-00	. NUT, SELF-LOCKING	1	
9	6GR-45215-01-00	COVER, WATER INLET 2	1	
10	90110-06425-00	BOLT, HEXAGON SOCKET HEAD	1	
11	6KN-45224-00-00	COVER, WATER INLET 3	1	
12	90185-06M07-00	. NUT, SELF-LOCKING	1	
13	6KN-45225-00-00	COVER, WATER INLET 4	1	
14	90110-06425-00	BOLT, HEXAGON SOCKET HEAD	1	
15	6AW-45373-00-00	ANODE	1	
16	92990-10300-00	WASHER	1	
17	90105-10257-00	BOLT, FLANGE	1	
18	6GR-45987-00-00	SPACER 1	1	
19	6GR-45997-00-00	SPACER 2	1	
20	90201-19M01-00	WASHER, PLATE	1	

CONTINUED ON NEXT FRAME >


 6KN1100DW460

LOWER CASING DRIVE 3



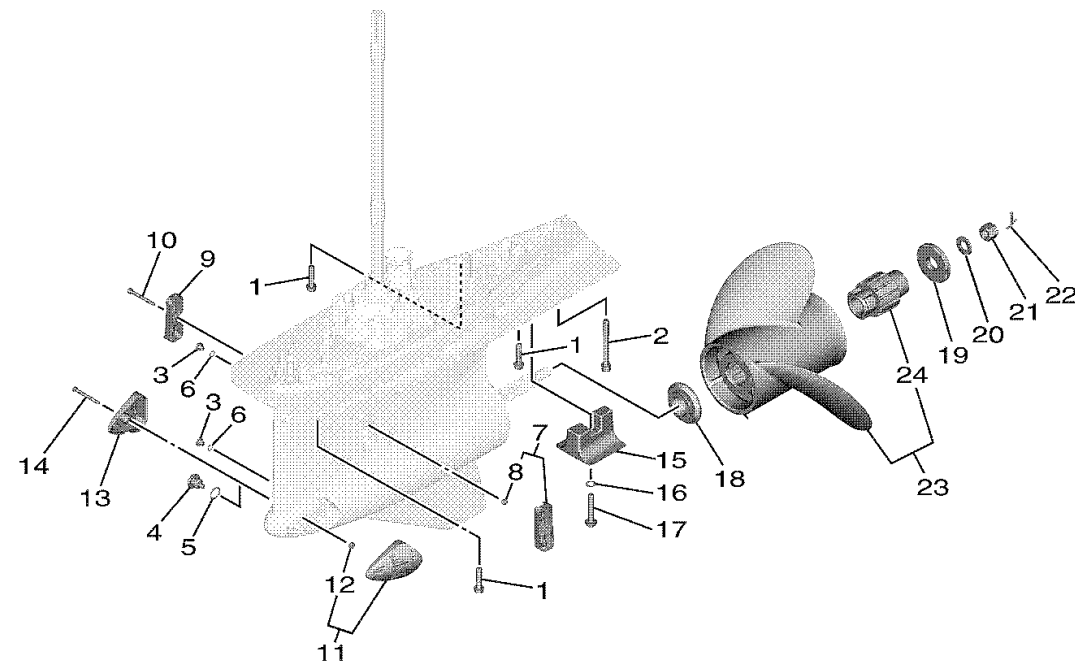
Ref No.	Part Number	Description	Qty	Remarks
21	90171-18M04-00	NUT, CASTLE	1	
22	91490-40030-00	PIN. COTTER	1	
23	6GR-45D74-20-00	PROPELLER (3X16"X27"-Y2)	1	UR SDS 3 BLADE
23	6KN-45970-00-00	PROPELLER (3X16-7/8"X17"-Y)	1	UR SDS 3 BLADE
23	6KN-45972-00-00	PROPELLER (3X16-1/8"X24"-Y)	1	UR SDS 3 BLADE
23	6KN-45974-00-00	PROPELLER (3X16-1/8"X25"-Y)	1	UR SDS 3 BLADE
23	6KN-45976-00-00	PROPELLER (3X16-5/8"X20"-Y)	1	UR SDS 3 BLADE
23	6KN-45978-00-00	PROPELLER (3X16-3/8"X21"-Y)	1	UR SDS 3 BLADE
23	6KN-45934-00-00	PROPELLER (3X16-3/8"X22"-Y)	1	UR SDS 3 BLADE
23	6KN-45930-00-00	PROPELLER (3X16-1/8"X26"-Y)	1	UR SDS 3 BLADE
23	6KN-45938-00-00	PROPELLER (3X16-7/8"X16"-Y)	1	UR SDS 3 BLADE
23	6KN-45932-00-00	PROPELLER (3X16-1/8"X23"-Y)	1	UR SDS 3 BLADE
23	6GR-45970-20-00	PROPELLER (3X17-1/8"X15"-Y2)	1	UR SDS 3 BLADE
23	6GR-45D70-20-00	PROPELLER (3X16-7/8"X16"-Y2)	1	UR SDS 3 BLADE
23	6GR-45972-20-00	PROPELLER (3X16-7/8"X17"-Y2)	1	UR SDS 3 BLADE
23	6GR-45938-20-00	PROPELLER (3X16-5/8"X18"-Y2)	1	UR SDS 3 BLADE
23	6KN-45936-00-00	PROPELLER (3X16-7/8"X18"-Y)	1	UR SDS 3 BLADE
23	6GR-45974-20-00	PROPELLER (3X16-5/8"X19"-Y2)	1	UR SDS 3 BLADE
23	6GR-45936-20-00	PROPELLER (3X16-3/8"X20"-Y2)	1	UR SDS 3 BLADE
23	6GR-45976-20-00	PROPELLER (3X16-3/8"X21"-Y2)	1	UR SDS 3 BLADE

CONTINUED ON NEXT FRAME >



LOWER CASING DRIVE 3

Ref No.	Part Number	Description	Qty	Remarks
23	6GR-45934-20-00	PROPELLER (3X16-1/8"X22"-Y2)	1	UR SDS 3 BLADE
23	6GR-45978-20-00	PROPELLER (3X16-1/8"X23"-Y2)	1	UR SDS 3 BLADE
23	6GR-45932-20-00	PROPELLER (3X16"X24"-Y2)	1	UR SDS 3 BLADE
23	6GR-45930-20-00	PROPELLER (3X16"X25"-Y2)	1	UR SDS 3 BLADE
23	6GR-45D72-20-00	PROPELLER (3X16"X26"-Y2)	1	UR SDS 3 BLADE
24	6GR-45C81-10-00	. .DAMPER RUBBER, PROPELLER 1	1	



6KN1100DW460