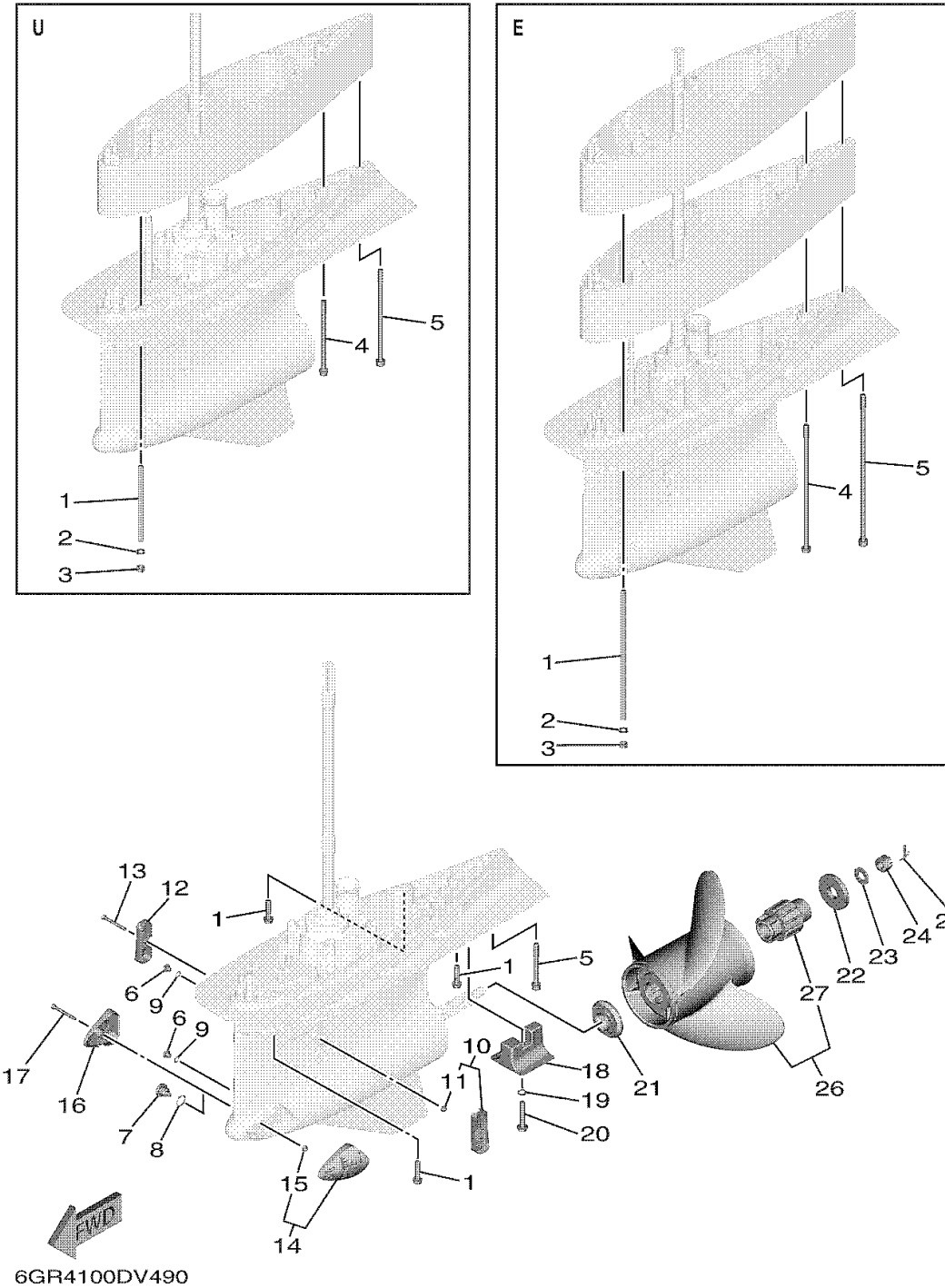


COUNTER ROTATION

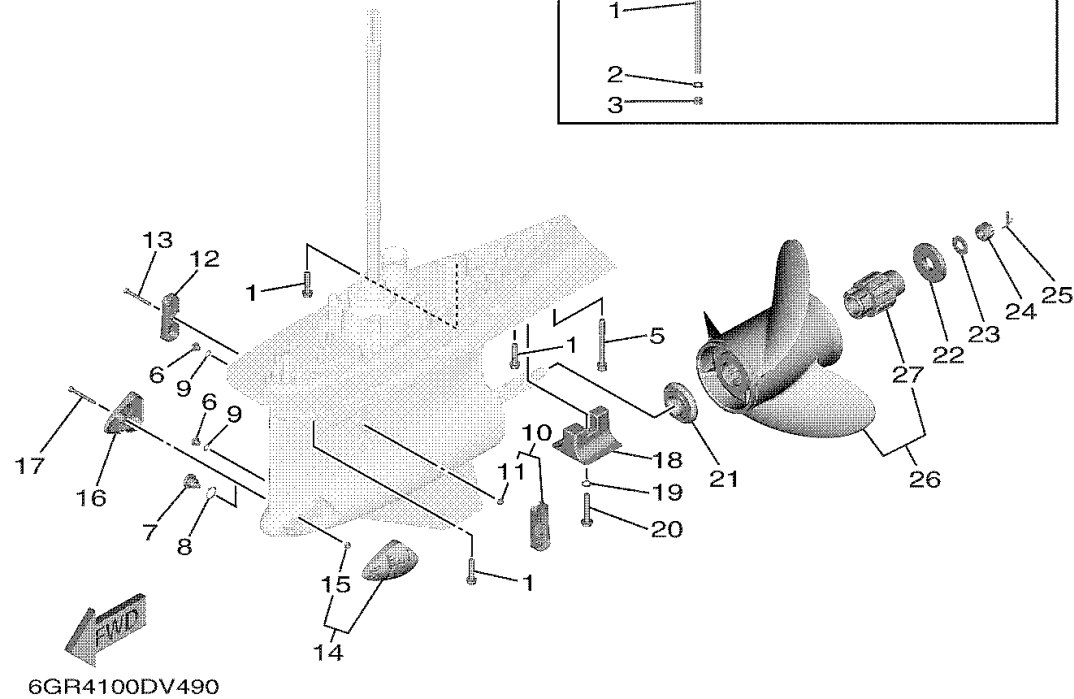
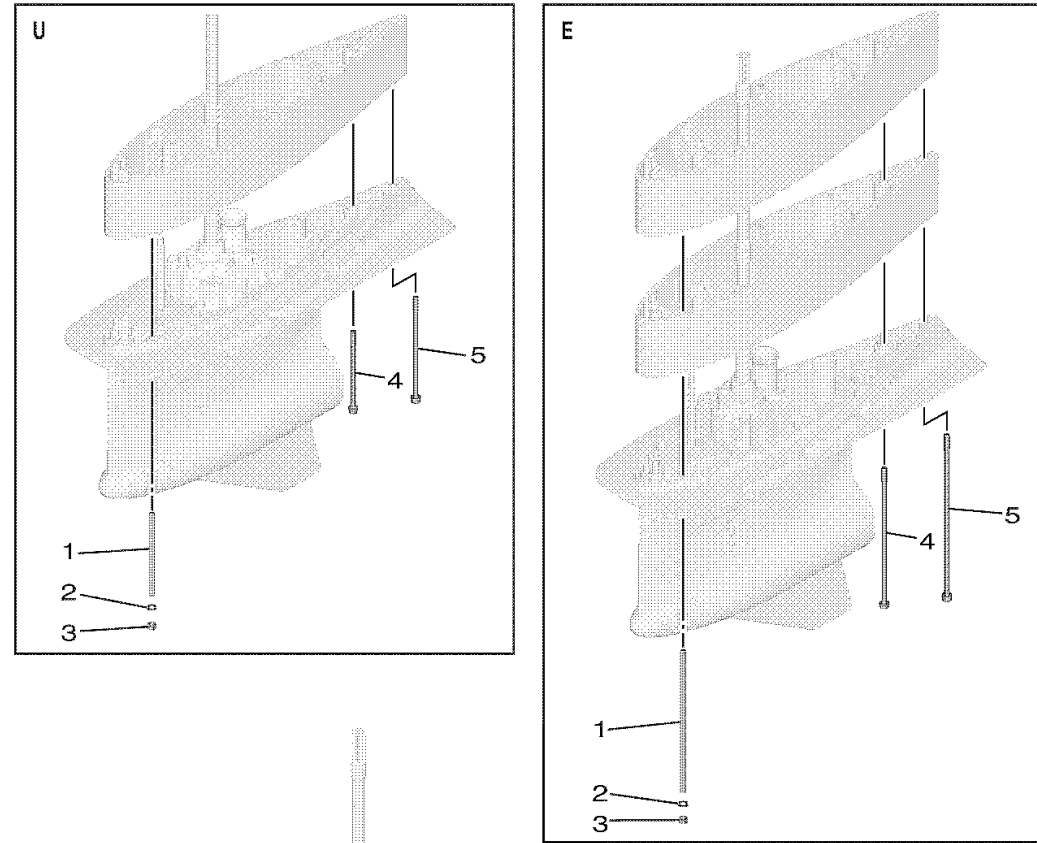


OPTIONAL PARTS 8

Ref No.	Part Number	Description	Qty	Remarks
1	90116-10067-00	BOLT, STUD	0	UR U(30.2")
1	90116-10066-00	BOLT, STUD	0	UR E(35.2")
1	90119-10024-00	BOLT, WITH WASHER	0	UR X(25.2")
2	92995-10600-00	WASHER	0	U(30.2"), E(35.2")
3	95380-10600-00	NUT	0	U(30.2"), E(35.2")
4	90119-10060-00	BOLT, WITH WASHER	0	UR E(35.2")
4	90119-10009-00	BOLT, WITH WASHER	0	UR U(30.2")
5	90110-10053-00	BOLT, HEXAGON SOCKET HEAD	0	UR X(25.2")
5	90110-10054-00	BOLT, HEXAGON SOCKET HEAD	0	UR U(30.2")
5	90110-10055-00	BOLT, HEXAGON SOCKET HEAD	0	UR E(35.2")
6	90340-08003-00	PLUG, STRAIGHT SCREW	0	
7	6GR-45341-00-00	PLUG, DRAIN	0	
8	93210-19123-00	O-RING	0	
9	93210-09165-00	O-RING	0	
10	6GR-45214-01-00	COVER, WATER INLET 1	0	
11	90185-06M07-00	. NUT, SELF-LOCKING	0	
12	6GR-45215-01-00	COVER, WATER INLET 2	0	
13	90110-06425-00	BOLT, HEXAGON SOCKET HEAD	0	
14	6KN-45224-00-00	COVER, WATER INLET 3	0	
15	90185-06M07-00	. NUT, SELF-LOCKING	0	

CONTINUED ON NEXT FRAME >

COUNTER ROTATION

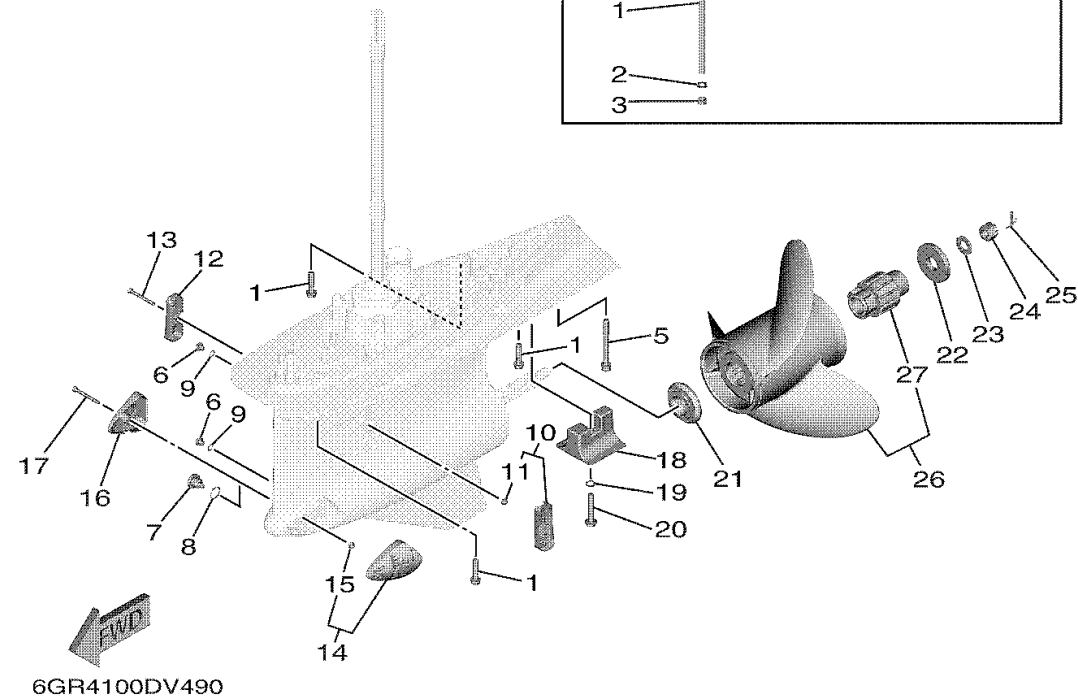
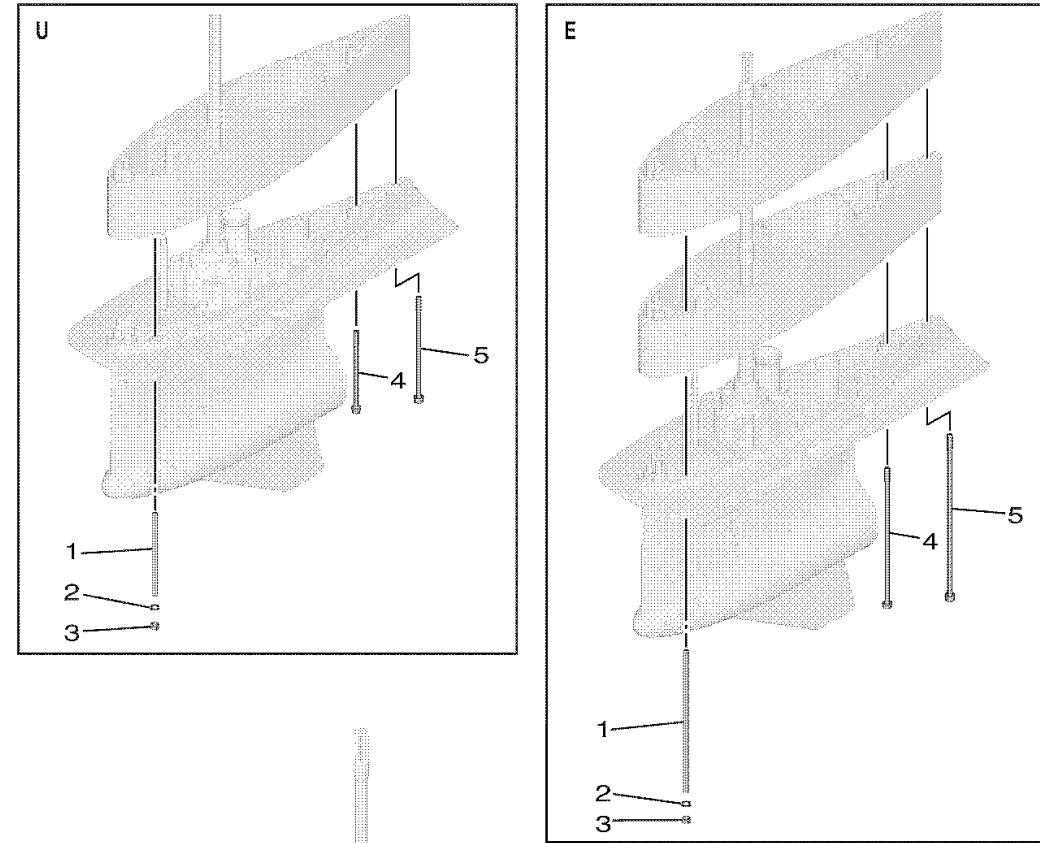


OPTIONAL PARTS 8

Ref No.	Part Number	Description	Qty	Remarks
16	6KN-45225-00-00	COVER, WATER INLET 4	0	
17	90110-06425-00	BOLT, HEXAGON SOCKET HEAD	0	
18	6AW-45373-00-00	ANODE	0	
19	92990-10300-00	WASHER	0	
20	90105-10257-00	BOLT, FLANGE	0	
21	6GR-45987-00-00	SPACER 1	0	
22	6GR-45997-00-00	SPACER 2	0	
23	90201-19M01-00	WASHER, PLATE	0	
24	90171-18M04-00	NUT, CASTLE	0	
25	91490-40030-00	PIN. COTTER	0	
26	6GS-45D74-20-00	PROPELLER (3X16"X27"-YL2)	0	UR SDS 3 BLADE
26	6KP-45970-00-00	PROPELLER (3X16-7/8"X17"-YL)	0	UR SDS 3 BLADE
26	6KP-45972-00-00	PROPELLER (3X16-1/8"X24"-YL)	0	UR SDS 3 BLADE
26	6KP-45974-00-00	PROPELLER (3X16-1/8"X25"-YL)	0	UR SDS 3 BLADE
26	6KP-45976-00-00	PROPELLER (3X16-5/8"X20"-YL)	0	UR SDS 3 BLADE
26	6KP-45978-00-00	PROPELLER (3X16-3/8"X21"-YL)	0	UR SDS 3 BLADE
26	6KP-45934-00-00	PROPELLER (3X16-3/8"X22"-YL)	0	UR SDS 3 BLADE
26	6KP-45930-00-00	PROPELLER (3X16-1/8"X26"-YL)	0	UR SDS 3 BLADE
26	6KP-45938-00-00	PROPELLER (3X16-7/8"X16"-YL)	0	UR SDS 3 BLADE
26	6KP-45932-00-00	PROPELLER (3X16-1/8"X23"-YL)	0	UR SDS 3 BLADE

CONTINUED ON NEXT FRAME >

COUNTER ROTATION



OPTIONAL PARTS 8

Ref No.	Part Number	Description	Qty	Remarks
26	6GS-45970-20-00	PROPELLER (3X17-1/8"X15"-YL2)	0	UR SDS 3 BLADE
26	6GS-45D70-20-00	PROPELLER (3X16-7/8"X16"-YL2)	0	UR SDS 3 BLADE
26	6GS-45972-20-00	PROPELLER (3X16-7/8"X17"-YL2)	0	UR SDS 3 BLADE
26	6GS-45938-20-00	PROPELLER (3X16-5/8"X18"-YL2)	0	UR SDS 3 BLADE
26	6KP-45936-00-00	PROPELLER (3X16-7/8"X18"-YL)	0	UR SDS 3 BLADE
26	6GS-45974-20-00	PROPELLER (3X16-5/8"X19"-YL2)	0	UR SDS 3 BLADE
26	6GS-45936-20-00	PROPELLER (3X16-3/8"X20"-YL2)	0	UR SDS 3 BLADE
26	6GS-45976-20-00	PROPELLER (3X16-3/8"X21"-YL2)	0	UR SDS 3 BLADE
26	6GS-45934-20-00	PROPELLER (3X16-1/8"X22"-YL2)	0	UR SDS 3 BLADE
26	6GS-45978-20-00	PROPELLER (3X16-1/8"X23"-YL2)	0	UR SDS 3 BLADE
26	6GS-45932-20-00	PROPELLER (3X16"X24"-YL2)	0	UR SDS 3 BLADE
26	6GS-45930-20-00	PROPELLER (3X16"X25"-YL2)	0	UR SDS 3 BLADE
26	6GS-45D72-20-00	PROPELLER (3X16"X26"-YL2)	0	UR SDS 3 BLADE
27	6GR-45C81-10-00	..DAMPER RUBBER, PROPELLER 1	0	