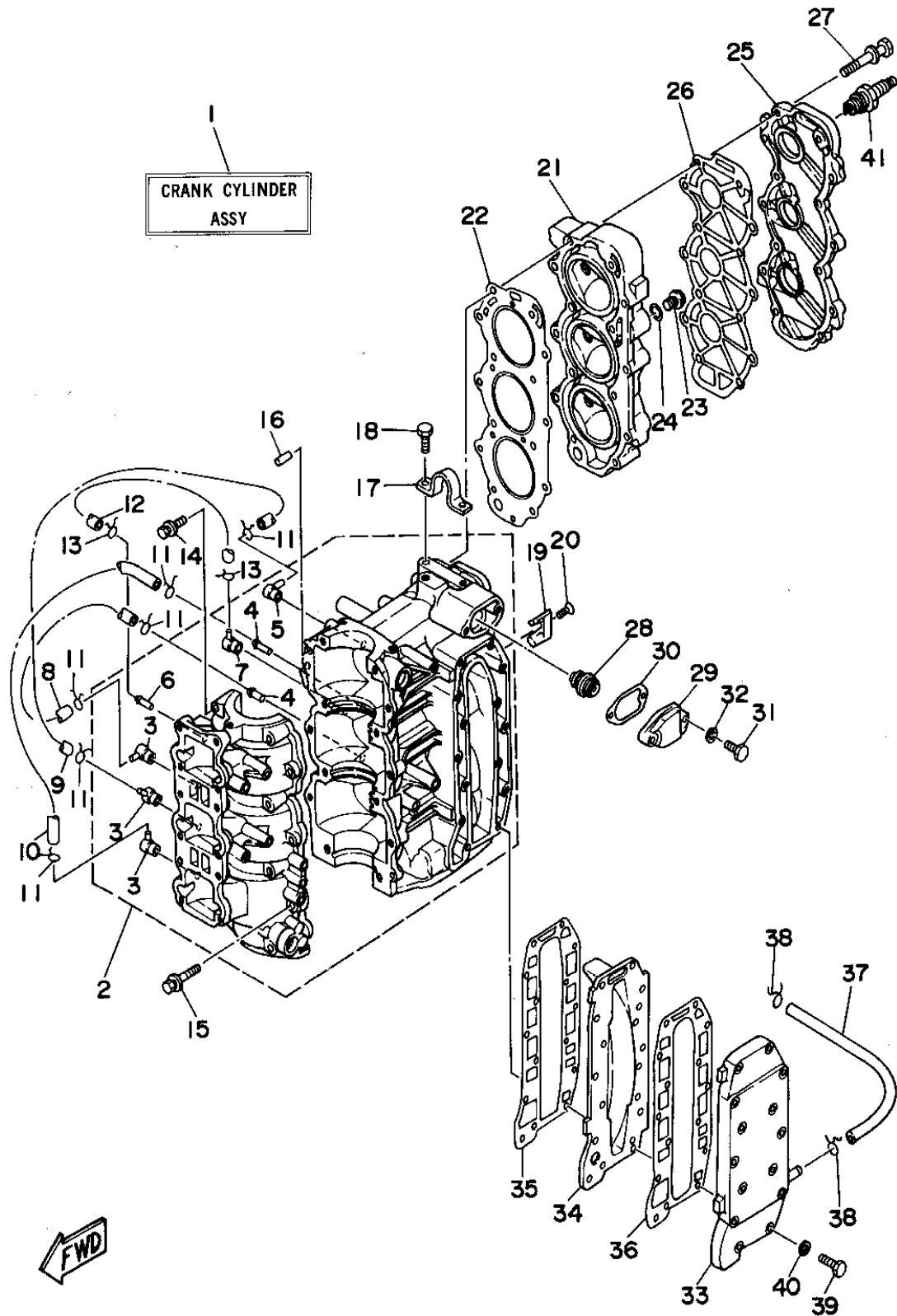


CONTENTS

BOTTOM COWLING	B4-5
BRACKET 1	B6-8
BRACKET 2	B9
CARBURETOR	A6-7
CONTROL	C6-7
CRANKSHAFT - PISTON	A4
CYLINDER - CRANKCASE	A2-3
ELECTRICAL 1	D8
ELECTRICAL 2	D9
ELECTRICAL 3	E1
FUEL	B1-2
INTAKE	A5
LOWER CASING - DRIVE 1	C9 ,D1-2
LOWER CASING - DRIVE 2	D3-4
MAGNETO	D5
OIL PUMP	A8-9
POWER TRIM & TILT	
ASSEMBLY 1	C1-3
REPAIR KIT 1	E2-3
REPAIR KIT 2	E4
STARTING MOTOR	D6-7
STEERING	C4-5
TOP COWLING	B3
UPPER CASING	C8

CYLINDER - CRANKCASE

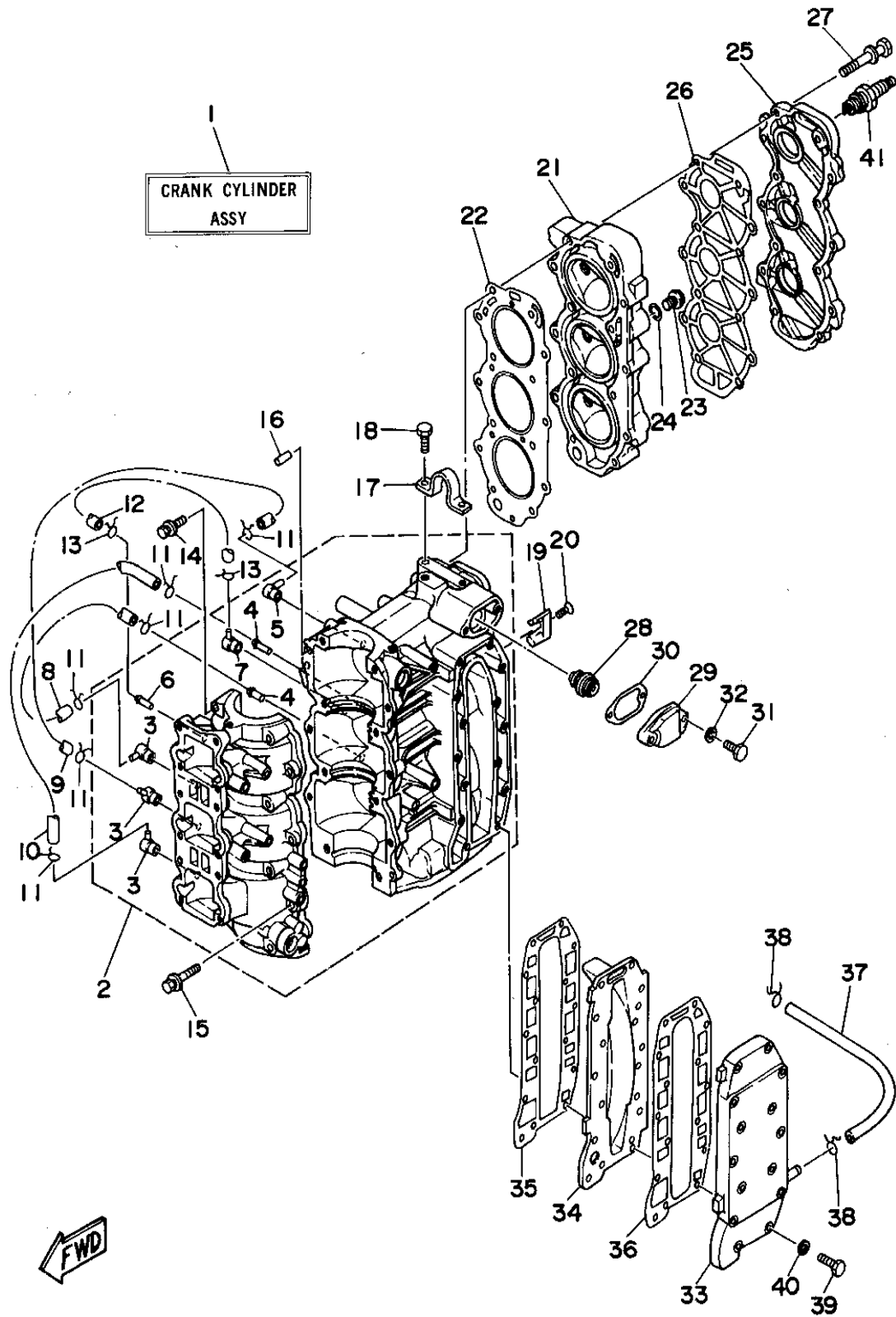


Ref. No.	Part Number	Description	Qty	Remarks
1	6H4-W0090-42-4D	CRANK CYLINDER ASSEMBLY (REF. #2-40, & CRANKSHAFT - PI)	1	
2	6H4-15100-12-94	CRANKCASE ASSEMBLY	1	
3	650-11370-00-00	. CHECK VALVE ASSY	3	
4	624-14485-00-00	. PIPE, JOINT	2	
5	6H4-11372-00-00	. NIPPLE, HOSE	1	
6	624-14485-00-00	. PIPE, JOINT	1	
7	688-11370-00-00	. CHECK VALVE ASSY	1	
8	90445-07M46-00	HOSE	1	
9	90445-07M72-00	HOSE (L250)	1	
10	90445-07M24-00	HOSE (L240)	1	
11	90467-06016-00	CLIP	6	
12	90445-07MA3-00	HOSE (L200)	1	
13	90467-06016-00	CLIP	2	
14	90119-08M19-00	BOLT, WITH WASHER	8	
15	90119-06M13-00	BOLT, WITH WASHER	6	
16	93606-12019-00	PIN, DOWEL	2	
17	6H4-11119-00-00	HANGER, ENGINE	1	
18	97313-06014-00	BOLT	2	
19	688-11325-00-00	ANODE	2	
20	98680-04016-00	SCREW OVAL HEAD	2	
21	6H4-11111-01-94	HEAD, CYLINDER 1	1	
22	6H4-11181-A0-00	GASKET, CYLINDER HEAD 1	1	
23	90340-14M00-00	PLUG, STRAIGHT SCREW	1	
24	90430-14115-00	GASKET	1	
25	6H4-11191-01-9M	COVER, CYLINDER HEAD 1	1	
26	6H4-11193-A1-00	GASKET, HEAD COVER 1	1	
27	90119-08M29-00	BOLT, WITH WASHER	14	
28	6E5-12411-20-00	THERMOSTAT	1	
29	6H4-12413-00-9M	COVER, THERMOSTAT	1	

CONTENTS	
BOTTOM COWLING	B4-5
BRACKET 1	B6-8
BRACKET 2	B9
CARBURETOR	A6-7
CONTROL	C6-7
CRANKSHAFT - PISTON	A4
CYLINDER - CRANKCASE	A2-3
ELECTRICAL 1	D8
ELECTRICAL 2	D9
ELECTRICAL 3	E1
FUEL	B1-2
INTAKE	A5
LOWER CASING - DRIVE 1	C9, D1-2
LOWER CASING - DRIVE 2	D3-4
MAGNETO	D5
OIL PUMP	A8-9
POWER TRIM & TILT ASSEMBLY 1	C1-3
REPAIR KIT 1	E2-3
REPAIR KIT 2	E4
STARTING MOTOR	D6-7
STEERING	C4-5
TOP COWLING	B3
UPPER CASING	C8

CONTINUED ON NEXT FRAME >

CYLINDER - CRANKCASE

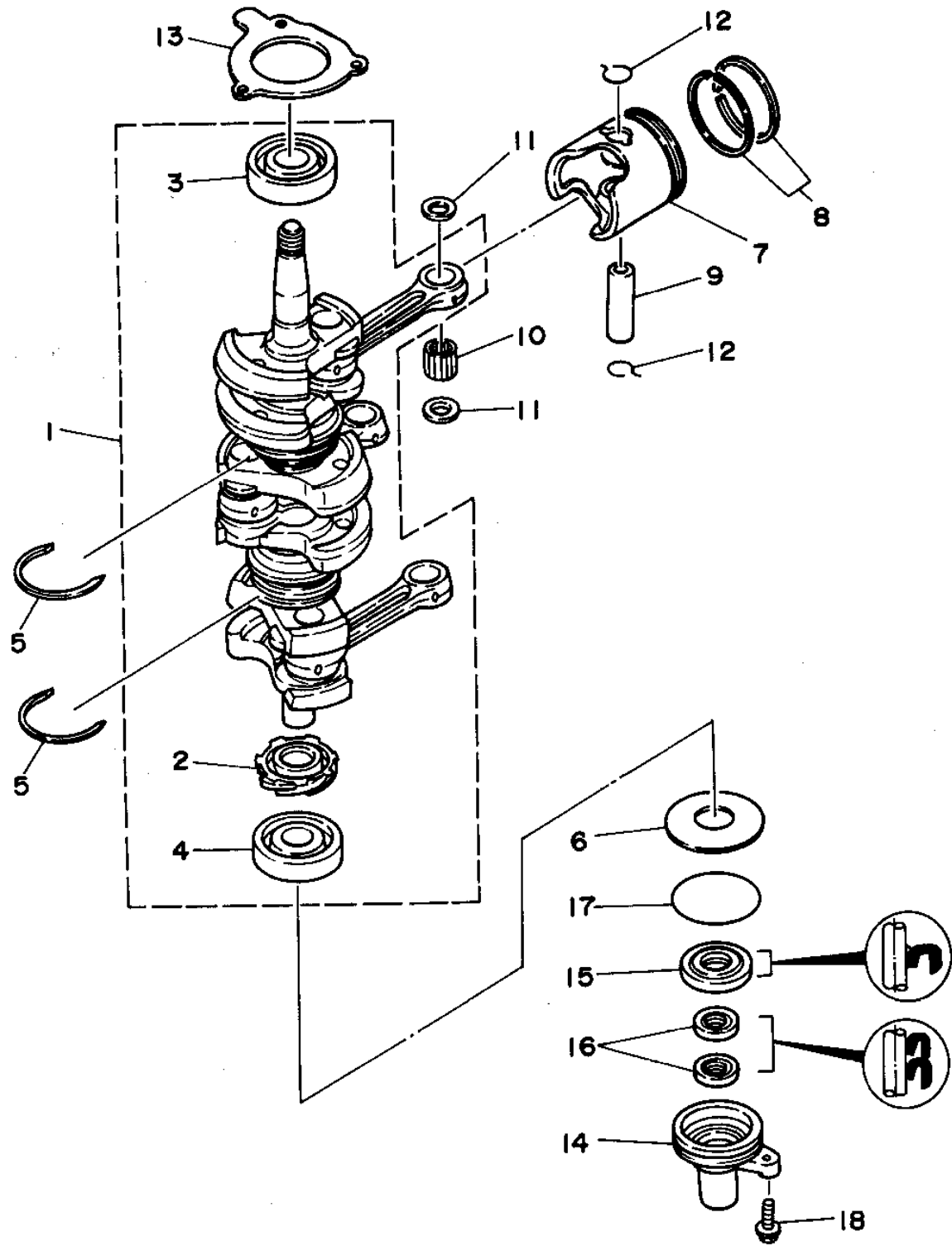


Ref. No.	Part Number	Description	Qty	Remarks
30	6J8-12414-A0-00	GASKET, COVER	1	
31	97095-06025-00	BOLT	2	
32	92990-06600-00	WASHER, PLATE	2	
33	6H4-41113-00-9M	OUTER COVER, EXHAUST	1	
34	6H4-41111-00-9M	INNER COVER, EXHAUST	1	
35	6H4-41112-A0-00	GASKET, EXHAUST INNER COVER	1	
36	6H4-41114-A0-00	GASKET, EXHAUST OUTER COVER	1	
37	90445-09M37-00	HOSE	1	
38	90467-08004-00	CLIP	1	
39	97013-06035-00	BOLT	14	
40	92990-06600-00	WASHER, PLATE	14	
41	NGK-B8HS1-00-00	PLUG, SPARK (NGK B8HS-10)	3	

CONTENTS

BOTTOM COWLING	B4-5
BRACKET 1	B6-8
BRACKET 2	B9
CARBURETOR	A6-7
CONTROL	C6-7
CRANKSHAFT - PISTON	A4
CYLINDER - CRANKCASE	A2-3
ELECTRICAL 1	D8
ELECTRICAL 2	D9
ELECTRICAL 3	E1
FUEL	B1-2
INTAKE	A5
LOWER CASING - DRIVE 1	C9, D1-2
LOWER CASING - DRIVE 2	D3-4
MAGNETO	D5
OIL PUMP	A8-9
POWER TRIM & TILT ASSEMBLY 1	C1-3
REPAIR KIT 1	E2-3
REPAIR KIT 2	E4
STARTING MOTOR	D6-7
STEERING	C4-5
TOP COWLING	B3
UPPER CASING	C8

CRANKSHAFT - PISTON



Ref. No.	Part Number	Description	Qty	Remarks
1	6H4-11400-14-00	CRANKSHAFT ASSY	1	
2	6H4-11536-00-00	. GEAR, DRIVE	1	
3	93306-305U8-00	. BEARING	1	
4	93306-305U8-00	. BEARING	1	
5	93440-62057-00	CIRCLIP	2	
6	90201-50306-00	WASHER, PLATE	1	
7	6H4-11631-01-95	PISTON (STD)	3	
	6H4-11636-01-00	PISTON (0.50MM O/S)	3	AP
8	6H4-11601-00-00	PISTON RING SET (STD)	3	
	6H4-11601-20-00	PISTON RING SET (0.50MM O/S)	3	AP
9	648-11633-00-00	PIN, PISTON	3	
10	93602-20M02-00	PIN, DOWEL	93	
11	6H4-11641-00-00	WASHER, PISTON PIN	6	
12	6H4-11634-01-00	CLIP, PISTON PIN	6	
13	6H4-15369-A1-00	GASKET, OIL SEAL HOUSING	1	
14	6H4-15396-02-5B	HOUSING, OIL SEAL	1	
15	93102-25M28-00	OIL SEAL	1	
16	93101-16M36-00	OIL SEAL	2	
17	93210-57M09-00	O-RING	1	
18	97595-06520-00	BOLT, WITH WASHER	1	

CONTENTS

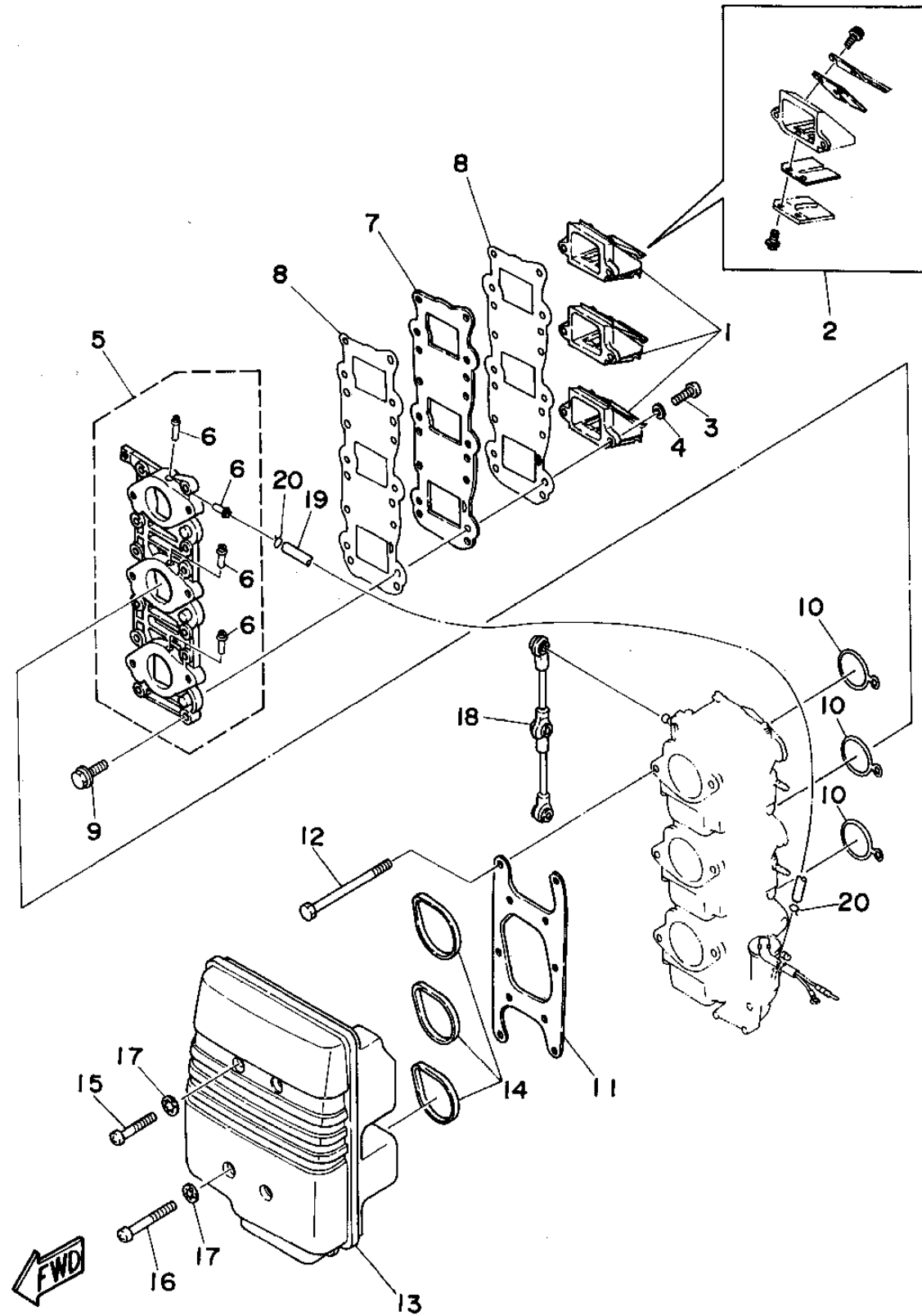
BOTTOM COWLING	B4-5
BRACKET 1	B6-8
BRACKET 2	B9
CARBURETOR	A6-7
CONTROL	C6-7
CRANKSHAFT - PISTON	A4
CYLINDER - CRANKCASE	A2-3
ELECTRICAL 1	D8
ELECTRICAL 2	D9
ELECTRICAL 3	E1
FUEL	B1-2
INTAKE	A5
LOWER CASING - DRIVE 1	C9, D1-2
LOWER CASING - DRIVE 2	D3-4
MAGNETO	D5
OIL PUMP	A8-9
POWER TRIM & TILT ASSEMBLY 1	C1-3
REPAIR KIT 1	E2-3
REPAIR KIT 2	E4
STARTING MOTOR	D6-7
STEERING	C4-5
TOP COWLING	B3
UPPER CASING	C8

INTAKE

Ref. No.	Part Number	Description	Qty	Remarks
1	6H5-13610-00-00	REED VALVE ASSY	3	
2	6H4-W0004-00-00	. REED SET	1	
3	98580-05016-00	SCREW, PAN HEAD	6	
4	92990-05600-00	WASHER, PLATE	6	
5	6H4-13641-12-94	MANIFOLD 1	1	
6	6H1-14485-00-00	. PIPE, JOINT	4	
7	6H4-13624-01-94	PLATE, REED VALVE	1	
8	6H4-13621-A1-00	GASKET, VALVE SEAT	2	
9	97595-06520-00	BOLT, WITH WASHER	12	
10	6H4-14198-01-00	GASKET	3	
11	6H4-14406-00-00	HINGE	1	
12	97395-06095-00	BOLT	6	
13	6H4-14431-01-00	SILENCER, INTAKE 1	1	
14	6H3-14457-01-00	SEAL	3	
15	97895-06040-00	SCREW, PAN HEAD	2	
16	97895-06055-00	SCREW, PAN HEAD	2	
17	90209-06M05-00	WASHER	4	
18	6H4-41217-01-00	ROD, ACCEL. LEVER	1	
19	90445-07M24-00	HOSE (L240)	1	
20	90467-06016-00	CLIP	2	

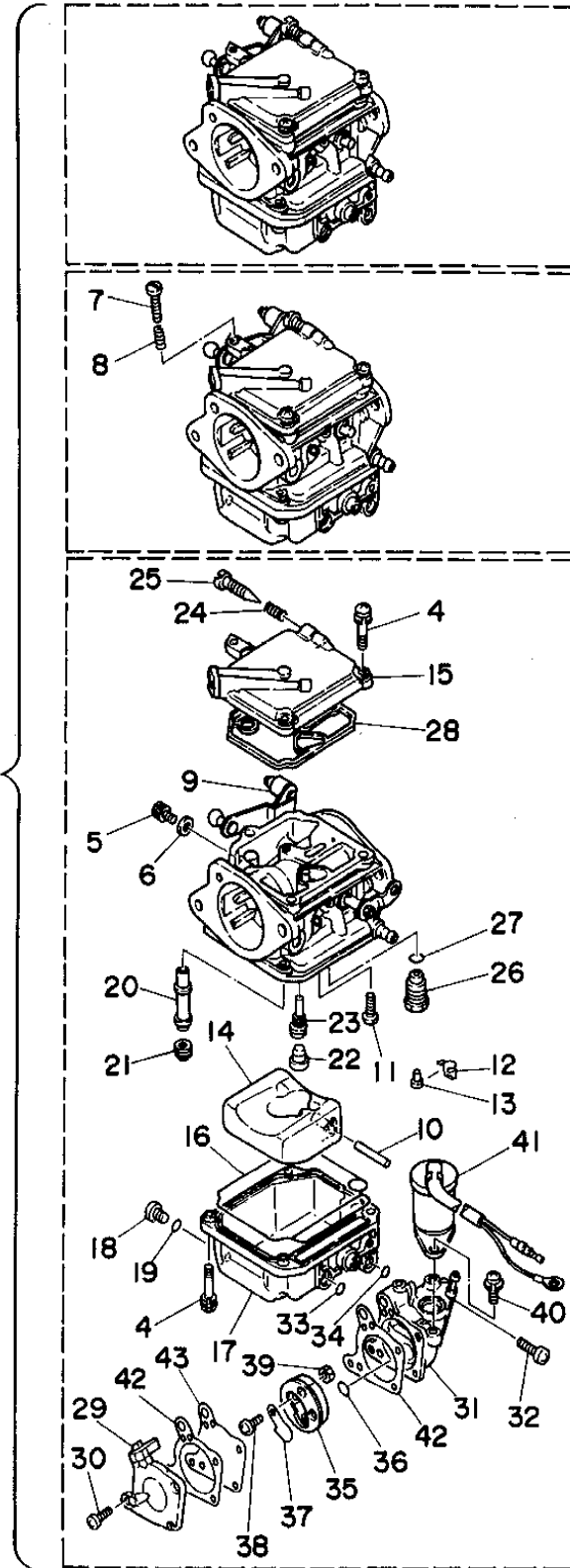
CONTENTS

BOTTOM COWLING	B4-5
BRACKET 1	B6-8
BRACKET 2	B9
CARBURETOR	A6-7
CONTROL	C6-7
CRANKSHAFT - PISTON	A4
CYLINDER - CRANKCASE	A2-3
ELECTRICAL 1	D8
ELECTRICAL 2	D9
ELECTRICAL 3	E1
FUEL	B1-2
INTAKE	A5
LOWER CASING - DRIVE 1	C9, D1-2
LOWER CASING - DRIVE 2	D3-4
MAGNETO	D5
OIL PUMP	A8-9
POWER TRIM & TILT ASSEMBLY 1	C1-3
REPAIR KIT 1	E2-3
REPAIR KIT 2	E4
STARTING MOTOR	D6-7
STEERING	C4-5
TOP COWLING	B3
UPPER CASING	C8



A5

CARBURETOR



Ref. No.	Part Number	Description	Qty	Remarks
1	6H5-14301-12-00	CARBURETOR ASSEMBLY 1	1	
2	6H5-14302-12-00	CARBURETOR ASSEMBLY 2	1	
3	6H5-14303-12-00	CARBURETOR ASSEMBLY 3	1	
4	97980-04114-00	. SCREW, WITH WASHER	21	
5	6K5-14592-00-00	. SCREW	3	
6	90201-05652-00	. WASHER, PLATE	3	
7	6H1-14523-00-00	. SCREW, STOP	1	
8	90501-10326-00	. SPRING, COMPRESSION	1	
9	6H2-14578-00-00	. COLLAR	1	
10	6H4-14548-00-00	. PIN, FLOAT ARM	3	
11	98580-04008-00	. SCREW, PAN HEAD	3	
12	663-14159-00-00	. CLIP	3	
13	676-14186-00-00	. PIN, FLOAT	3	
14	6H4-14985-01-00	. FLOAT	3	
15	6H4-14146-00-00	. PLATE	3	
16	6H4-14984-00-00	. GASKET, FLOAT CHAMBER	3	
17	6H4-14980-00-00	. BODY, FLOAT CHAMBER	2	UR UPPER/ CENTER
	6H4-14980-10-00	. BODY, FLOAT CHAMBER	1	UR LOWER
18	6H3-14992-00-00	. SCREW, DRAIN	3	
19	93210-04230-00	. O-RING	3	
20	6H5-14947-07-00	. JET, NEEDLE	3	
21	676-14943-34-00	. JET, MAIN (135)	3	
22	676-14966-00-00	. CAP	3	
23	6H5-14948-13-00	. JET (#65)	3	
24	679-14555-00-00	. SPRING	3	
25	692-14923-00-00	. SCREW, PILOT	3	
26	6H4-14590-00-00	. NEEDLE VALVE ASSY	3	
27	93210-04228-00	. O-RING	3	
28	6H4-14147-00-00	. O-RING	3	
29	6H4-24452-01-00	. COVER	1	

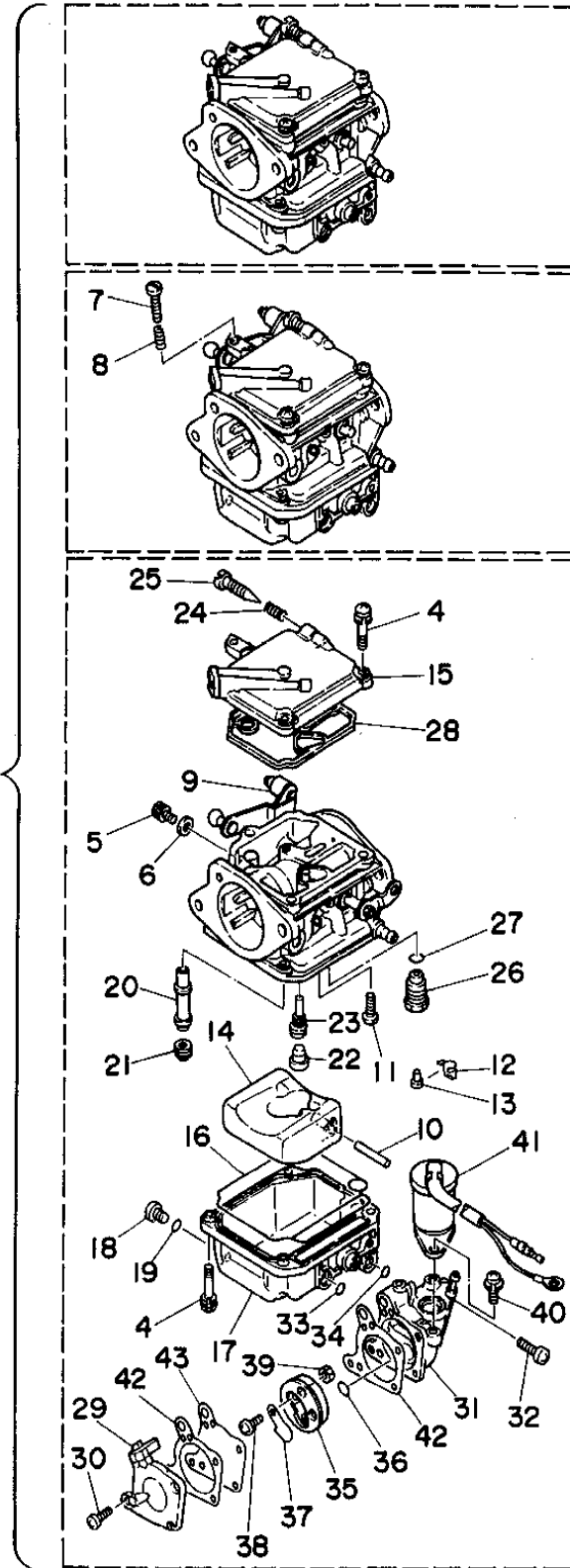
CONTENTS

BOTTOM COWLING	B4-5
BRACKET 1	B6-8
BRACKET 2	B9
CARBURETOR	A6-7
CONTROL	C6-7
CRANKSHAFT - PISTON	A4
CYLINDER - CRANKCASE	A2-3
ELECTRICAL 1	D8
ELECTRICAL 2	D9
ELECTRICAL 3	E1
FUEL	B1-2
INTAKE	A5
LOWER CASING - DRIVE 1	C9, D1-2
LOWER CASING - DRIVE 2	D3-4
MAGNETO	D5
OIL PUMP	A8-9
POWER TRIM & TILT ASSEMBLY 1	C1-3
REPAIR KIT 1	E2-3
REPAIR KIT 2	E4
STARTING MOTOR	D6-7
STEERING	C4-5
TOP COWLING	B3
UPPER CASING	C8

CONTINUED ON NEXT FRAME ►



CARBURETOR

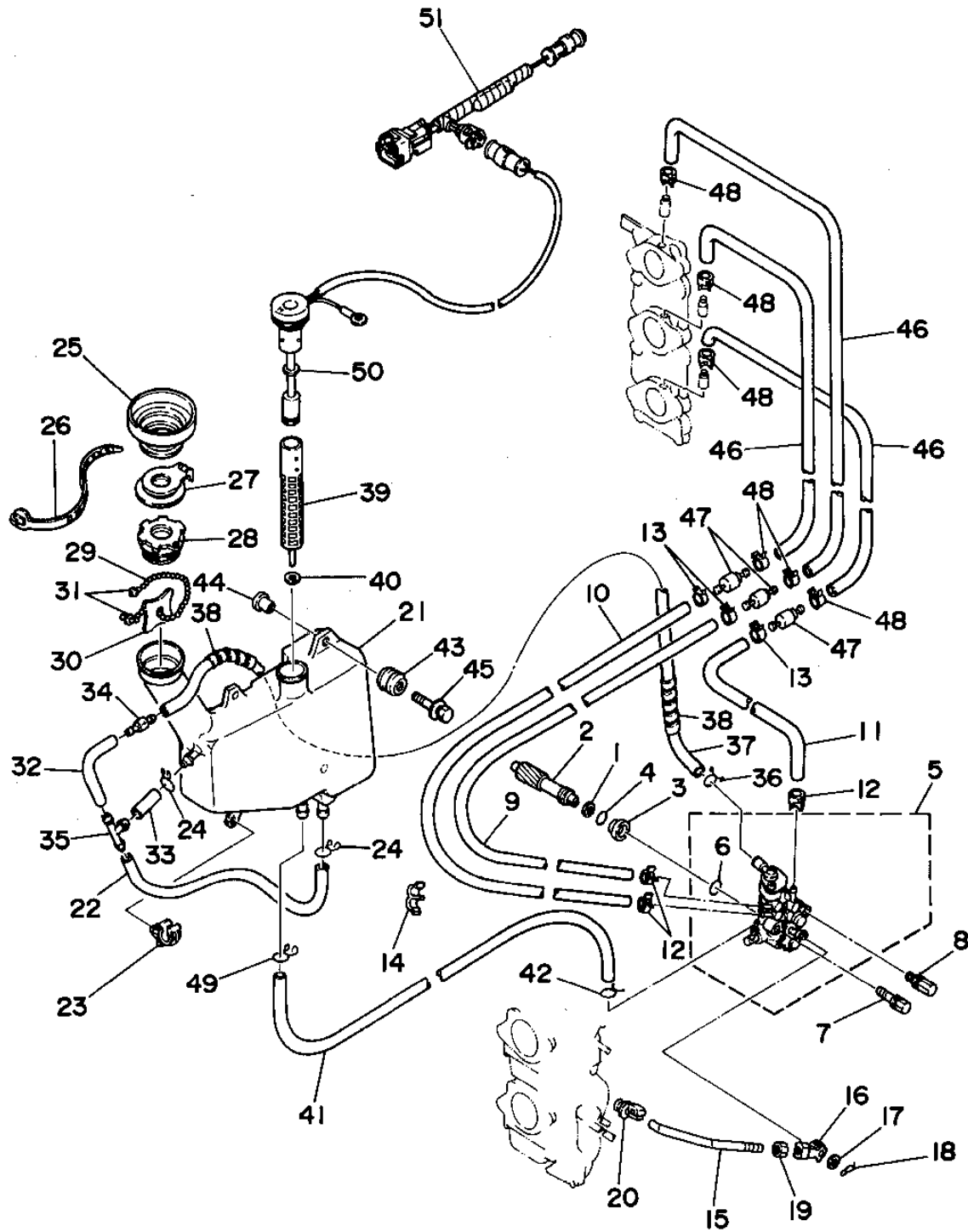


Ref. No.	Part Number	Description	Qty	Remarks
30	6H4-14567-00-00	. SCREW	4	
31	6H4-24412-00-00	. BODY 1	1	
32	6H4-14592-10-00	. SCREW	2	
33	6H4-14561-00-00	. O-RING	1	
34	6H4-14562-00-00	. O-RING	1	
35	6H4-24413-00-00	. BODY 2	1	
36	6H4-24486-00-00	. O-RING	1	
37	6L5-24421-00-00	. VALVE, CHECK	2	
38	98980-03006-00	. SCREW, BIND	2	
39	95380-03600-00	. NUT	2	
40	97980-05310-00	. SCREW, WITH WASHER	2	
41	6H4-86120-00-00	. SOLENOID VALVE ASSEMBLY	1	
42	6H5-24434-00-00	. GASKET, BODY	2	
43	6H4-24411-00-00	. DIAPHRAGM	1	

CONTENTS	
BOTTOM COWLING	B4-5
BRACKET 1	B6-8
BRACKET 2	B9
CARBURETOR	A6-7
CONTROL	C6-7
CRANKSHAFT - PISTON	A4
CYLINDER - CRANKCASE	A2-3
ELECTRICAL 1	D8
ELECTRICAL 2	D9
ELECTRICAL 3	E1
FUEL INTAKE	B1-2
LOWER CASING - DRIVE 1	A5
LOWER CASING - DRIVE 2	C9, D1-2
MAGNETO	D3-4
OIL PUMP	D5
POWER TRIM & TILT ASSEMBLY 1	A8-9
REPAIR KIT 1	C1-3
REPAIR KIT 2	E2-3
STARTING MOTOR	E4
STEERING	D6-7
TOP COWLING	C4-5
UPPER CASING	B3
	C8



OIL PUMP



Ref. No.	Part Number	Description	Qty	Remarks
1	90201-08M93-00	WASHER, PLATE	1	
2	6H4-11537-01-00	GEAR, DRIVEN	1	
3	6H1-13117-01-00	COLLAR, DISTANCE	1	
4	93210-13595-00	O-RING	1	
5	6H4-13200-04-00	OIL INJECTION PUMP ASSEMBLY	1	
6	93210-19MA7-00	O-RING	1	
7	90109-06M39-00	BOLT	1	
8	90109-06M40-00	BOLT	1	
9	90445-07M44-00	HOSE (L250)	1	
10	90445-07M23-00	HOSE (L408)	1	
11	90445-07MA6-00	HOSE (L90)	1	
12	90468-07M02-00	CLIP	3	
13	90468-07M02-00	CLIP	3	
14	90464-07M20-00	CLAMP	1	
15	6H4-41241-01-00	ROD, LINK	1	
16	6H1-41237-00-00	JOINT, LINK	1	
17	90202-05088-00	WASHER, PLATE	1	
18	90468-05M03-00	CLIP	1	
19	95380-05600-00	NUT	1	
20	6R5-41237-00-00	JOINT, LINK	1	
21	6H4-21707-04-00	OIL TANK COMP.	1	
22	90445-11M17-00	HOSE (L300)	1	
23	90464-11M23-00	CLAMP	1	
24	90467-11M08-00	CLIP	2	
25	6H4-21752-00-00	TUBE, FILLER 1	1	
26	90465-13M36-00	CLAMP	1	
27	6H1-2176M-01-00	HOOK	1	
28	6H4-21770-00-00	OIL TANK CAP ASSY	1	
29	6H5-24633-00-00	CHAIN, BALL	1	

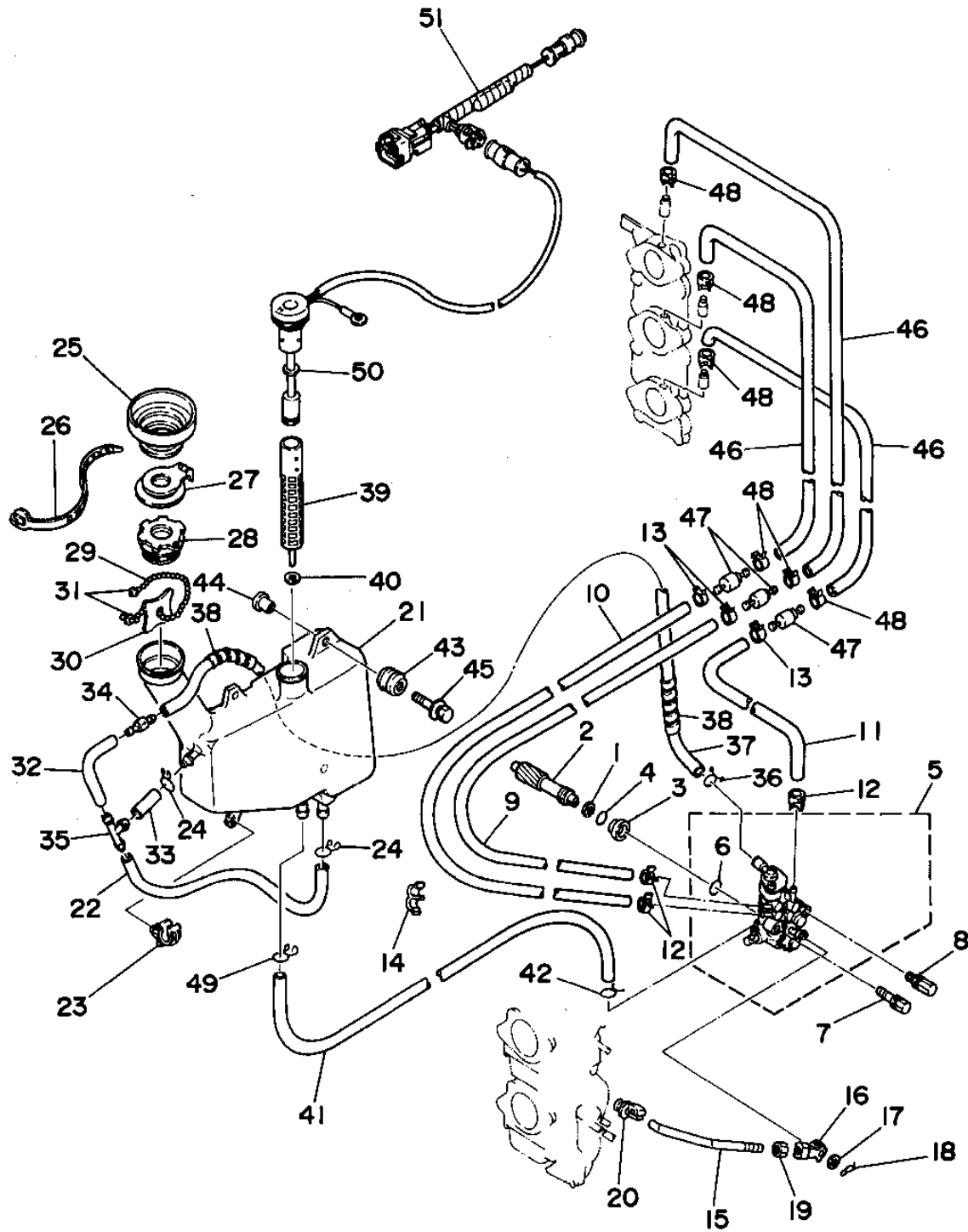
CONTENTS

BOTTOM COWLING	B4-5
BRACKET 1	B6-8
BRACKET 2	B9
CARBURETOR	A6-7
CONTROL	C6-7
CRANKSHAFT - PISTON	A4
CYLINDER - CRANKCASE	A2-3
ELECTRICAL 1	D8
ELECTRICAL 2	D9
ELECTRICAL 3	E1
FUEL	B1-2
INTAKE	A5
LOWER CASING - DRIVE 1	C9, D1-2
LOWER CASING - DRIVE 2	D3-4
MAGNETO	D5
OIL PUMP	A8-9
POWER TRIM & TILT ASSEMBLY 1	C1-3
REPAIR KIT 1	E2-3
REPAIR KIT 2	E4
STARTING MOTOR	D6-7
STEERING	C4-5
TOP COWLING	B3
UPPER CASING	C8

CONTINUED ON NEXT FRAME ►



OIL PUMP



Ref. No.	Part Number	Description	Qty	Remarks
30	6J8-21758-00-00	WASHER, SPECIAL 2	1	
31	6H1-21757-00-00	WASHER, SPECIAL 1	2	
32	90445-11M23-00	HOSE (L85)	1	
33	90445-11M07-00	HOSE (L30)	1	
34	6J8-21744-00-00	BREATHER	1	
35	6E5-24378-00-00	PIPE, JOINT 3	1	
36	90467-10M04-00	CLIP	1	
37	90445-11M17-00	HOSE (L300)	1	
38	90446-10M01-00	HOSE	2	
39	6J8-13411-00-00	STRAINER, OIL	1	
40	6J8-13414-00-00	GASKET, STRAINER COVER	1	
41	6L2-13416-00-00	PIPE, OIL 1	1	
42	90467-08004-00	CLIP	1	
43	6A0-82317-00-00	DAMPER, IGNITION COIL	3	
44	624-42542-00-00	PIPE	3	
45	90119-06M65-00	BOLT, WITH WASHER	3	
46	90445-07M87-00	HOSE (L110)	3	
47	6E9-13183-70-00	VALVE, CHECK	3	
48	90468-07M02-00	CLIP	6	
49	90467-11M08-00	CLIP	1	
50	6H5-85720-12-00	OIL LEVEL GAUGE ASSEMBLY	1	
51	6H4-81315-03-00	LEAD WIRE ASSEMBLY	1	

CONTENTS

BOTTOM COWLING	B4-5
BRACKET 1	B6-8
BRACKET 2	B9
CARBURETOR	A6-7
CONTROL	C6-7
CRANKSHAFT - PISTON	A4
CYLINDER - CRANKCASE	A2-3
ELECTRICAL 1	D8
ELECTRICAL 2	D9
ELECTRICAL 3	E1
FUEL	B1-2
INTAKE	A5
LOWER CASING - DRIVE 1	C9, D1-2
LOWER CASING - DRIVE 2	D3-4
MAGNETO	D5
OIL PUMP	A8-9
POWER TRIM & TILT ASSEMBLY 1	C1-3
REPAIR KIT 1	E2-3
REPAIR KIT 2	E4
STARTING MOTOR	D6-7
STEERING	C4-5
TOP COWLING	B3
UPPER CASING	C8

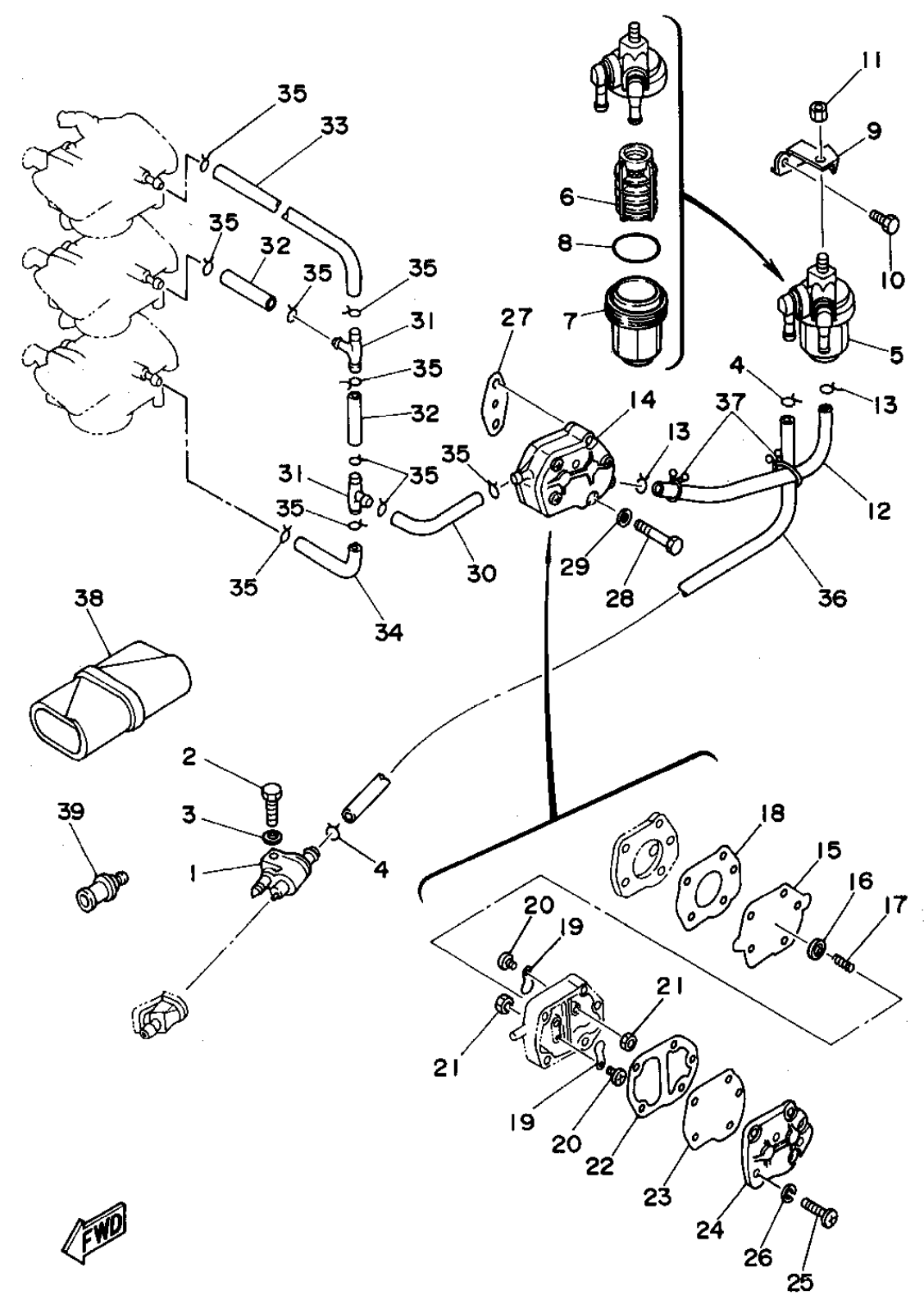
FWD

FUEL

Ref. No.	Part Number	Description	Qty	Remarks
1	6G1-24304-02-00	FUEL PIPE JOINT COMP. 1	1	
2	97095-06025-00	BOLT	1	
3	92990-06600-00	WASHER, PLATE	1	
4	90467-08004-00	CLIP	2	
5	61N-24560-00-00	FILTER ASSY	1	
6	61N-24563-00-00	. ELEMENT, FILTER	1	
7	61N-24521-00-00	. CUP, FILTER	1	
8	93210-32738-00	. O-RING	1	
9	6H4-24566-01-00	BRACKET, FILTER	1	
10	97313-06014-00	BOLT	1	
11	95380-08600-00	NUT	1	
12	6H4-24314-00-00	PIPE 4	1	
13	90467-08004-00	CLIP	2	
14	6A0-24410-05-00	FUEL PUMP ASSEMBLY	1	
15	648-24411-00-00	. DIAPHRAGM	1	
16	648-24424-00-00	. SEAT, SPRING	1	
17	648-24423-00-00	. SPRING, DIAPHRAGM	1	
18	648-24434-01-00	. GASKET, BODY	1	
19	6A0-24421-01-00	. VALVE, CHECK	2	
20	6A0-14325-00-00	. SCREW, PAN HEAD	2	
21	95380-03600-00	. NUT	2	
22	648-24435-02-00	. GASKET, BODY 2	1	
23	663-24411-00-00	. DIAPHRAGM	1	
24	648-24413-01-00	. BODY 2	1	
25	98580-05530-00	. SCREW, PAN HEAD	3	
26	92990-05100-00	. WASHER, SPRING	3	
27	650-24431-A0-00	. GASKET, FUEL PUMP 1	1	
28	97095-06040-00	BOLT	2	
29	92990-06600-00	WASHER, PLATE	2	
30	90445-09063-00	HOSE	1	

CONTENTS

BOTTOM COWLING	B4-5
BRACKET 1	B6-8
BRACKET 2	B9
CARBURETOR	A6-7
CONTROL	C6-7
CRANKSHAFT - PISTON	A4
CYLINDER - CRANKCASE	A2-3
ELECTRICAL 1	D8
ELECTRICAL 2	D9
ELECTRICAL 3	E1
FUEL	B1-2
INTAKE	A5
LOWER CASING - DRIVE 1	C9, D1-2
LOWER CASING - DRIVE 2	D3-4
MAGNETO	D5
OIL PUMP	A8-9
POWER TRIM & TILT ASSEMBLY 1	C1-3
REPAIR KIT 1	E2-3
REPAIR KIT 2	E4
STARTING MOTOR	D6-7
STEERING	C4-5
TOP COWLING	B3
UPPER CASING	C8



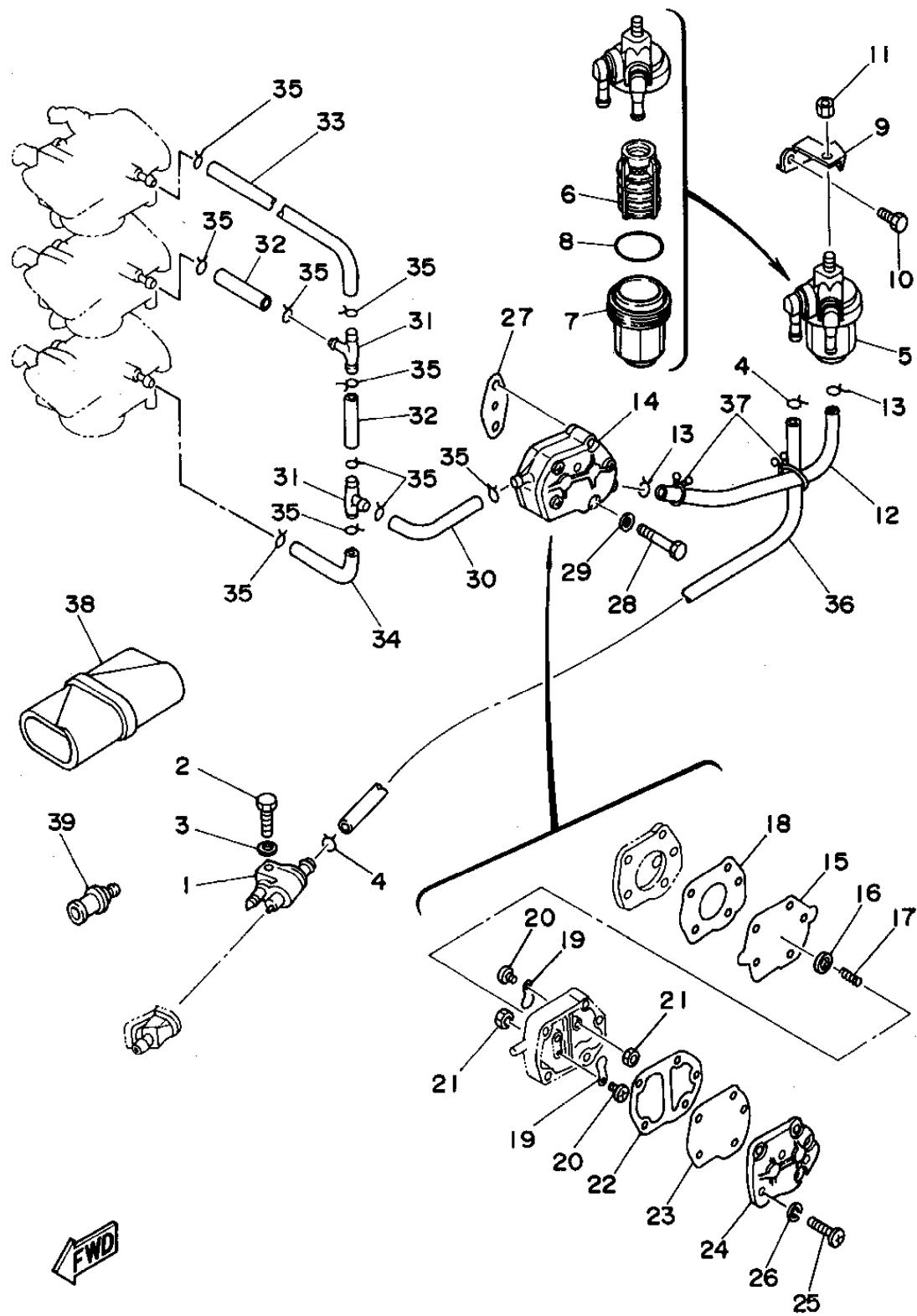
CONTINUED ON NEXT FRAME ►

FUEL

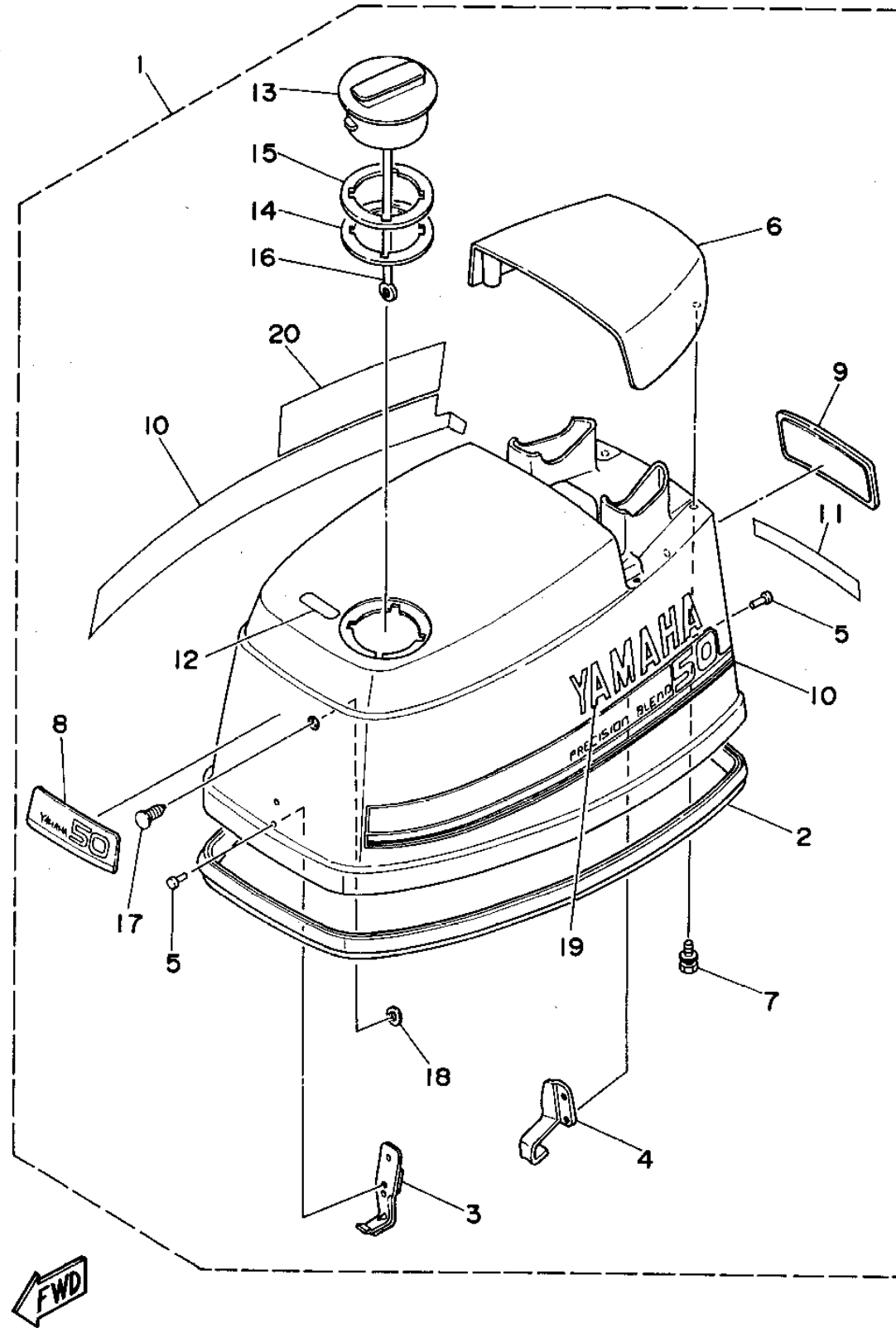
Ref. No.	Part Number	Description	Qty	Remarks
31	688-24378-00-00	PIPE, JOINT 4	2	
32	90445-09057-00	HOSE (L45)	2	
33	6H4-24313-00-00	PIPE 3	1	
34	6H4-24312-00-00	PIPE 2	1	
35	90467-08004-00	CLIP	10	
36	6H4-24311-00-00	PIPE, FUEL 1	1	
37	90464-16039-00	CLAMP	3	
38	656-W2810-02-00	TOOL KIT	1	
39	ABB-FLUSH-JD-00	JET DRIVE FLUSH	1	

CONTENTS

BOTTOM COWLING	B4-5
BRACKET 1	B6-8
BRACKET 2	B9
CARBURETOR	A6-7
CONTROL	C6-7
CRANKSHAFT - PISTON	A4
CYLINDER - CRANKCASE	A2-3
ELECTRICAL 1	D8
ELECTRICAL 2	D9
ELECTRICAL 3	E1
FUEL	B1-2
INTAKE	A5
LOWER CASING - DRIVE 1	C9, D1-2
LOWER CASING - DRIVE 2	D3-4
MAGNETO	D5
OIL PUMP	A8-9
POWER TRIM & TILT ASSEMBLY 1	C1-3
REPAIR KIT 1	E2-3
REPAIR KIT 2	E4
STARTING MOTOR	D6-7
STEERING	C4-5
TOP COWLING	B3
UPPER CASING	C8



TOP COWLING

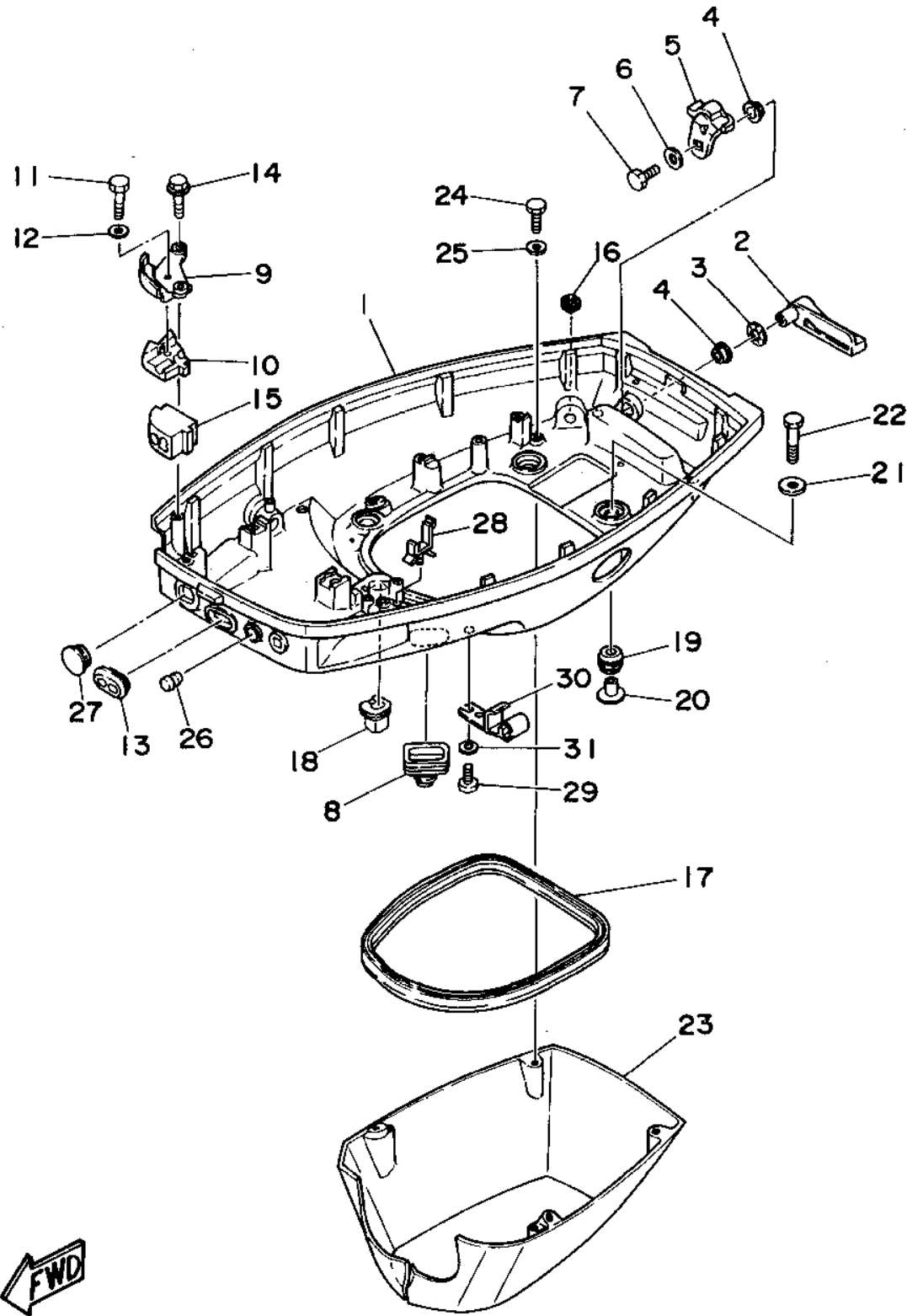


Ref. No.	Part Number	Description	Qty	Remarks
1	6H5-42610-45-4D	TOP COWLING ASSEMBLY	1	
2	6H4-42615-00-00	. SEAL	1	
3	6H4-42651-00-00	. HOOK	1	
4	6H4-42652-00-00	. HOOK	1	
5	90266-04M01-00	. RIVET	4	
6	6H4-42613-10-4D	. MOLDING, AIR DUCT	1	
7	90119-06M99-00	. BOLT, WITH WASHER	4	
8	6H5-42686-11-00	. EMBLEM, FRONT	1	
9	6H5-42687-10-00	. EMBLEM, REAR	1	
10	6H5-W0070-41-00	. GRAPHIC SET	1	
11	6H4-4267A-10-00	. GRAPHIC, REAR 2	1	
12	6H4-13436-40-00	. MARK	1	
13	6H1-2177H-01-00	. DISK CAP 2	1	
14	6H3-21732-00-00	. SEAL 1	1	
15	6H3-21735-00-00	. SEAL 2	1	
16	6H1-42694-00-00	. BAND	1	
17	90338-05M12-00	. PLUG	1	
18	90183-05M06-00	. NUT, SPRING	1	
19	6H5-42681-10-00	. MARK, COWLING (YAMAHA)	1	YAMAHA
20	6H5-42682-10-00	. MARK, COWLING (YAMAHA)	1	YAMAHA

CONTENTS

BOTTOM COWLING	B4-5
BRACKET 1	B6-8
BRACKET 2	B9
CARBURETOR	A6-7
CONTROL	C6-7
CRANKSHAFT - PISTON	A4
CYLINDER - CRANKCASE	A2-3
ELECTRICAL 1	D8
ELECTRICAL 2	D9
ELECTRICAL 3	E1
FUEL INTAKE	B1-2
INTAKE	A5
LOWER CASING - DRIVE 1	C9, D1-2
LOWER CASING - DRIVE 2	D3-4
MAGNETO	D5
OIL PUMP	A8-9
POWER TRIM & TILT ASSEMBLY 1	C1-3
REPAIR KIT 1	E2-3
REPAIR KIT 2	E4
STARTING MOTOR	D6-7
STEERING	C4-5
TOP COWLING	B3
UPPER CASING	C8

BOTTOM COWLING



Ref. No.	Part Number	Description	Qty	Remarks
1	6H4-42711-30-4D	COWLING, BOTTOM	1	
2	6H4-42815-00-00	LEVER, CLAMP	1	
3	90206-12052-00	WASHER, WAVE	1	
4	90386-12069-00	BUSH	2	
5	6H4-42816-00-00	LEVER, CLAMP	1	
6	90201-06M02-00	WASHER, PLATE	1	
7	97313-06010-00	BOLT, HEXAGON	1	
8	688-42726-10-00	GROMMET	1	
9	6H4-48531-A0-94	BRACKET, REMOTE CONTROL 1	1	
10	6H4-48532-A0-94	BRACKET, REMOTE CONTROL 2	1	
11	97395-05016-00	BOLT	1	
12	92990-05600-00	WASHER, PLATE	1	
13	6H3-42727-00-00	GROMMET	1	
14	97595-06520-00	BOLT, WITH WASHER	2	
15	6H5-42724-00-00	GROMMET	1	
16	6E5-44391-00-00	NIPPLE, HOSE	1	
17	6H4-42716-00-00	RUBBER, SEAL 1	1	
18	682-42727-00-00	GROMMET	1	
19	90480-09M21-00	GROMMET	4	
20	90387-06M41-00	COLLAR	4	
21	90201-06416-00	WASHER, PLATE	4	
22	97095-06030-00	BOLT	4	
23	6H4-42741-01-00	APRON	1	
24	97395-06016-00	BOLT	4	
25	92990-06600-00	WASHER, PLATE	4	
26	6H4-42725-00-00	GROMMET	1	
27	676-42726-00-00	GROMMET	1	
28	90464-15M08-00	CLAMP	1	
29	90157-06M01-00	SCREW, PAN HEAD	1	

CONTENTS

BOTTOM COWLING	B4-5
BRACKET 1	B6-8
BRACKET 2	B9
CARBURETOR	A6-7
CONTROL	C6-7
CRANKSHAFT - PISTON	A4
CYLINDER - CRANKCASE	A2-3
ELECTRICAL 1	D8
ELECTRICAL 2	D9
ELECTRICAL 3	E1
FUEL	B1-2
INTAKE	A5
LOWER CASING - DRIVE 1	C9, D1-2
LOWER CASING - DRIVE 2	D3-4
MAGNETO	D5
OIL PUMP	A8-9
POWER TRIM & TILT ASSEMBLY 1	C1-3
REPAIR KIT 1	E2-3
REPAIR KIT 2	E4
STARTING MOTOR	D6-7
STEERING	C4-5
TOP COWLING	B3
UPPER CASING	C8

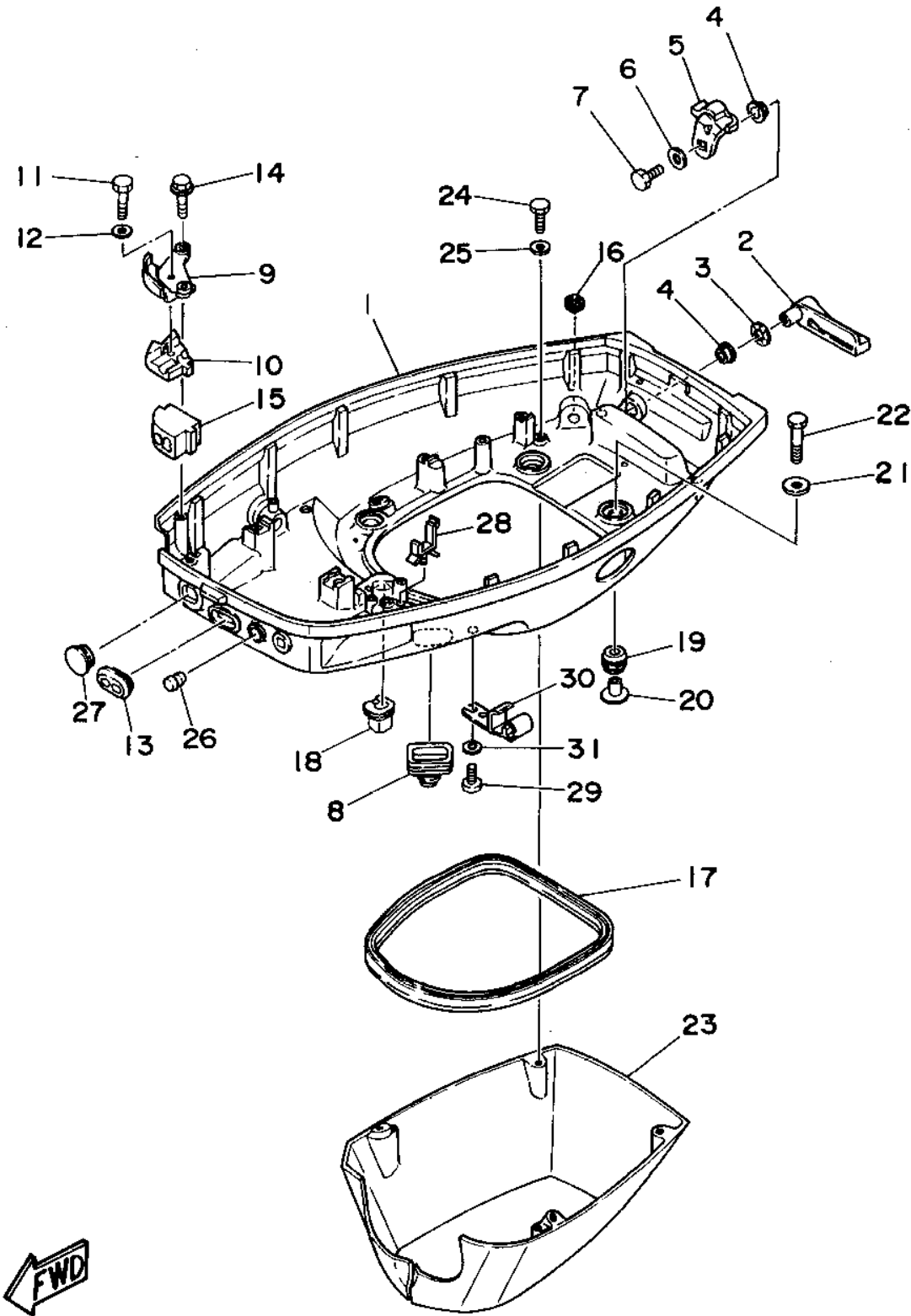
CONTINUED ON NEXT FRAME >

BOTTOM COWLING

Ref. No.	Part Number	Description	Qty	Remarks
30	6E5-24367-01-00	CLAMP, FUEL PIPE 2	1	
31	92990-06600-00	WASHER, PLATE	1	

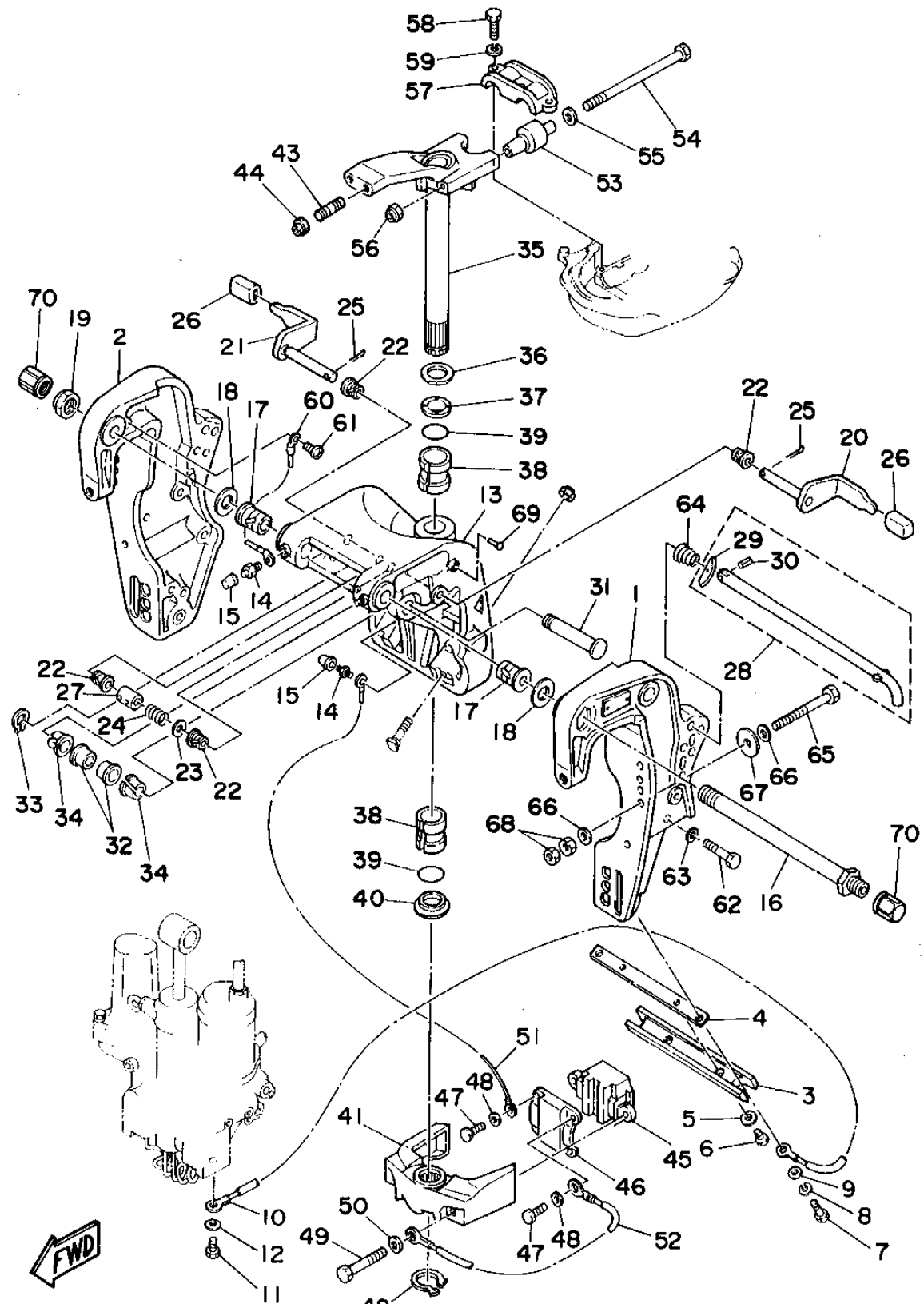
CONTENTS

BOTTOM COWLING	B4-5
BRACKET 1	B6-8
BRACKET 2	B9
CARBURETOR	A6-7
CONTROL	C6-7
CRANKSHAFT - PISTON	A4
CYLINDER - CRANKCASE	A2-3
ELECTRICAL 1	D8
ELECTRICAL 2	D9
ELECTRICAL 3	E1
FUEL INTAKE	B1-2
LOWER CASING - DRIVE 1	A5
LOWER CASING - DRIVE 2	C9, D1-2
MAGNETO	D3-4
OIL PUMP	D5
POWER TRIM & TILT ASSEMBLY 1	A8-9
REPAIR KIT 1	C1-3
REPAIR KIT 2	E2-3
STARTING MOTOR	E4
STEERING	D6-7
TOP COWLING	C4-5
UPPER CASING	B3, C8



FWD

BRACKET 1



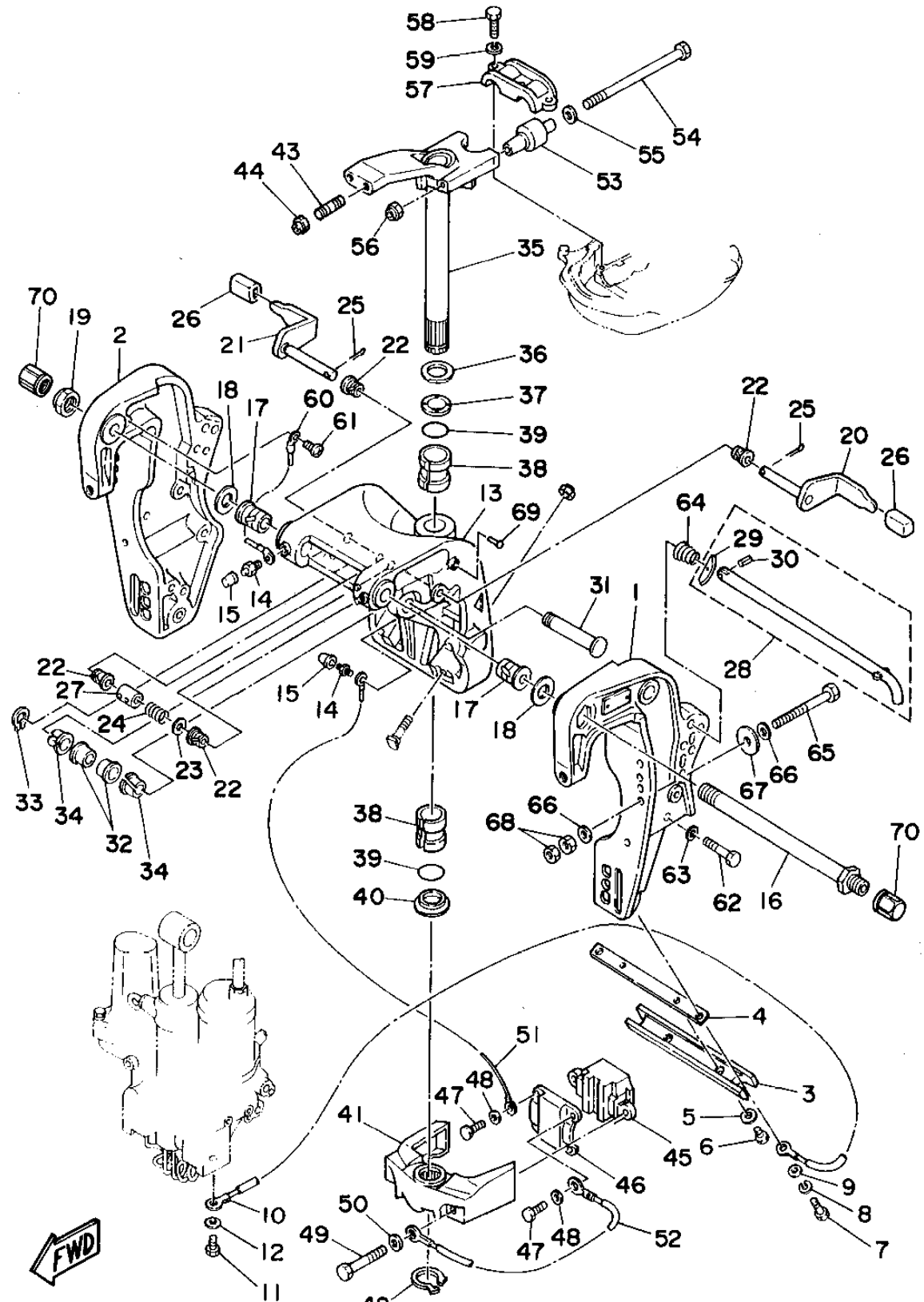
Ref. No.	Part Number	Description	Qty	Remarks
1	697-43111-04-4D	BRACKET, CLAMP	1	
2	697-43112-03-4D	BRACKET, CLAMP	1	
3	6H1-45251-02-00	ANODE	1	
4	6H1-44526-00-00	PLATE	1	
5	90201-06M31-00	WASHER, PLATE	2	
6	97095-06012-00	BOLT	2	
7	97395-06016-00	BOLT	2	
8	92995-06100-00	WASHER, SPRING	2	
9	92990-06600-00	WASHER, PLATE	2	
10	6H1-82148-00-00	WIRE, LEAD 4	1	
11	97095-06010-00	BOLT	1	
12	92990-06600-00	WASHER, PLATE	1	
13	697-43311-03-4D	BRACKET, SWIVEL	1	
14	93700-06M03-00	NIPPLE, GREASE	3	
15	663-45119-00-00	CAP, GREASE NIPPLE	3	
16	688-43131-03-00	BOLT, CLAMP BRACKET	1	
17	90386-22M15-00	BUSH	2	
18	90201-22M67-00	WASHER, PLATE	2	
19	90185-22043-00	NUT, SELF-LOCKING	1	
20	688-43181-04-00	LEVER, TILT STOP	1	
21	688-43185-04-00	LEVER, TILT STOP	1	
22	90386-10M16-00	BUSH	4	
23	92990-10600-00	WASHER, PLATE	1	
24	90501-10M21-00	SPRING, COMPRESSION	1	
25	91490-30030-00	PIN, COTTER	2	
26	663-43318-00-00	COVER	2	
27	90387-10M38-00	COLLAR	1	
28	697-43160-00-00	TILT ROD ASSEMBLY	1	
29	688-43165-00-00	..PLATE, TILT LOCK	1	
30	91690-30012-00	..PIN, SPRING	1	

CONTENTS

BOTTOM COWLING	B4-5
BRACKET 1	B6-8
BRACKET 2	B9
CARBURETOR	A6-7
CONTROL	C6-7
CRANKSHAFT - PISTON	A4
CYLINDER - CRANKCASE	A2-3
ELECTRICAL 1	D8
ELECTRICAL 2	D9
ELECTRICAL 3	E1
FUEL	B1-2
INTAKE	A5
LOWER CASING - DRIVE 1	C9, D1-2
LOWER CASING - DRIVE 2	D3-4
MAGNETO	D5
OIL PUMP	A8-9
POWER TRIM & TILT ASSEMBLY 1	C1-3
REPAIR KIT 1	E2-3
REPAIR KIT 2	E4
STARTING MOTOR	D6-7
STEERING	C4-5
TOP COWLING	B3
UPPER CASING	C8

CONTINUED ON NEXT FRAME ►

BRACKET 1



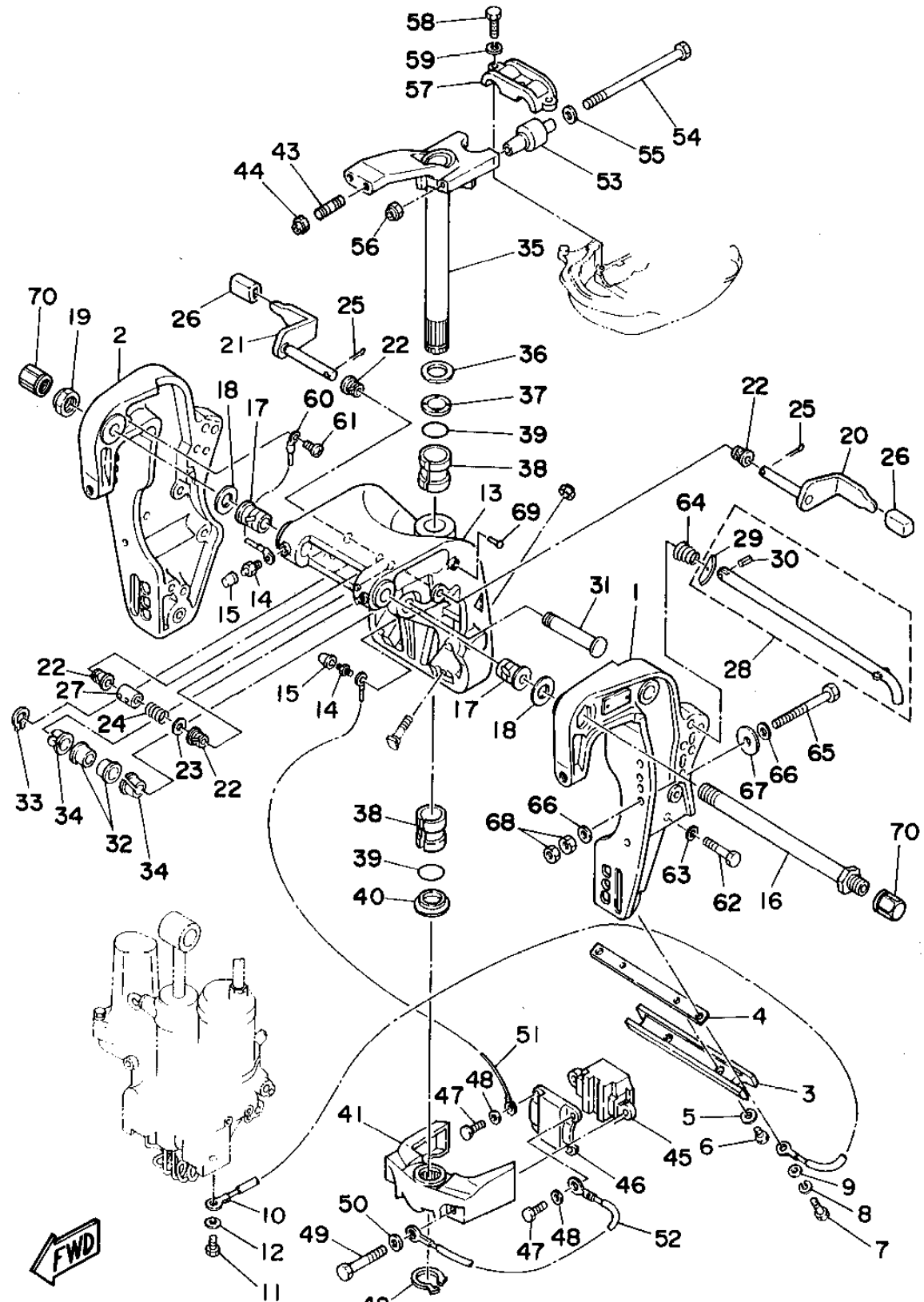
Ref. No.	Part Number	Description	Qty	Remarks
31	6E5-43126-02-00	PIN, UPPER SHOCK MOUNT ..	1	
32	90386-18M63-00	BUSH	2	
33	93410-18M02-00	CIRCLIP	1	
34	90386-18M35-00	BUSH	2	
35	6H4-42510-02-4D	STEERING BRACKET ASSEMBLY	1	
36	90201-30M00-00	WASHER, PLATE	1	
37	90386-30M78-00	BUSH	1	
38	90386-30M77-00	BUSH	2	
39	93210-29M94-00	O-RING	2	
40	90386-30M60-00	BUSH	1	
41	6H4-44551-01-4D	HOUSING, LOWER MOUNT RUBBER	1	
42	93410-28M06-00	CIRCLIP	1	
43	90116-10175-00	BOLT, STUD	2	
44	90185-10051-00	NUT, SELF-LOCKING	2	
45	6H4-44557-10-00	MOUNT DAMPER, LOWER FRONT	1	
46	6H4-44553-01-00	COVER, LOWER MOUNT	1	
47	97395-08025-00	BOLT	4	
48	92990-08600-00	WASHER, PLATE	4	
49	97395-10060-00	BOLT	2	
50	92990-10600-00	WASHER, PLATE	2	
51	6H5-82117-00-00	WIRE, LEAD	1	
52	6H5-82149-00-00	WIRE, LEAD 3	1	
53	6H4-44514-00-00	MOUNT DAMPER, UPPER SIDE	2	
54	90101-08M86-00	BOLT	2	
55	90201-09425-00	WASHER, PLATE	2	
56	90185-08045-00	NUT, SELF-LOCKING	2	
57	6H4-44511-00-94	COVER, UPPER MOUNT	1	
58	97090-08035-00	BOLT	3	

CONTENTS

BOTTOM COWLING	B4-5
BRACKET 1	B6-8
BRACKET 2	B9
CARBURETOR	A6-7
CONTROL	C6-7
CRANKSHAFT - PISTON	A4
CYLINDER - CRANKCASE	A2-3
ELECTRICAL 1	D8
ELECTRICAL 2	D9
ELECTRICAL 3	E1
FUEL	B1-2
INTAKE	A5
LOWER CASING - DRIVE 1	C9, D1-2
LOWER CASING - DRIVE 2	D3-4
MAGNETO	D5
OIL PUMP	A8-9
POWER TRIM & TILT ASSEMBLY 1	C1-3
REPAIR KIT 1	E2-3
REPAIR KIT 2	E4
STARTING MOTOR	D6-7
STEERING	C4-5
TOP COWLING	B3
UPPER CASING	C8

CONTINUED ON NEXT FRAME ►

BRACKET 1

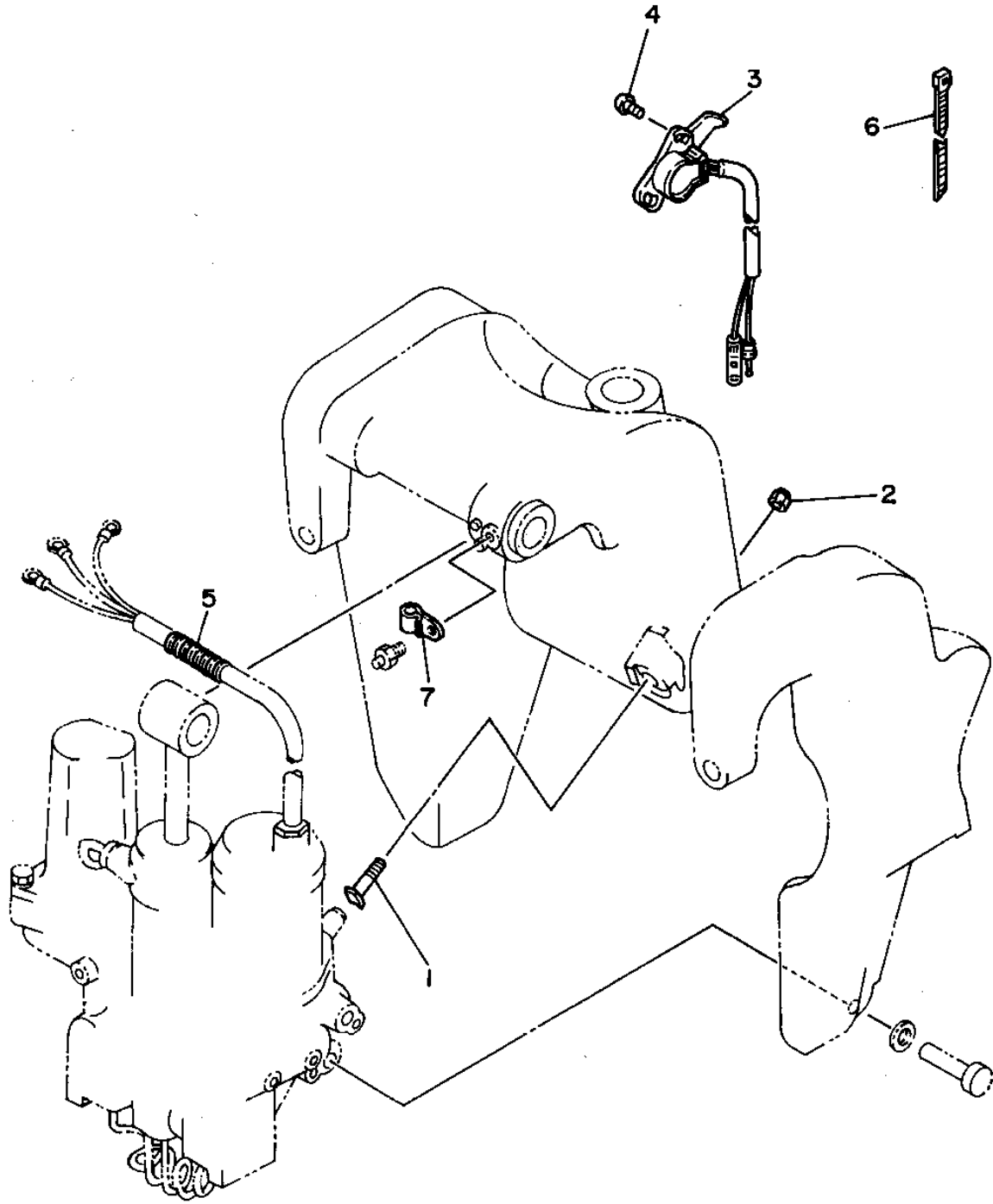


Ref. No.	Part Number	Description	Qty	Remarks
59	92990-08100-00	WASHER, SPRING	3	
60	6E5-82148-00-00	WIRE, LEAD 4	1	
61	98580-06012-00	SCREW, PAN HEAD	1	
62	97395-10045-00	BOLT	6	
63	92990-10100-00	WASHER, SPRING	6	
64	90502-20M03-00	SPRING, CONICAL	1	
65	90101-12M65-00	BOLT	4	
66	92995-12200-00	WASHER	8	
67	90201-12426-00	WASHER, PLATE	4	
68	95380-12600-00	NUT	8	
69	90269-03010-00	RIVET	1	
70	6G5-43145-00-00	CAP, CLAMP BRACKET	2	AP

CONTENTS

BOTTOM COWLING	B4-5
BRACKET 1	B6-8
BRACKET 2	B9
CARBURETOR	A6-7
CONTROL	C6-7
CRANKSHAFT - PISTON	A4
CYLINDER - CRANKCASE	A2-3
ELECTRICAL 1	D8
ELECTRICAL 2	D9
ELECTRICAL 3	E1
FUEL INTAKE	B1-2
INTAKE	A5
LOWER CASING - DRIVE 1	C9, D1-2
LOWER CASING - DRIVE 2	D3-4
MAGNETO	D5
OIL PUMP	A8-9
POWER TRIM & TILT ASSEMBLY 1	C1-3
REPAIR KIT 1	E2-3
REPAIR KIT 2	E4
STARTING MOTOR	D6-7
STEERING	C4-5
TOP COWLING	B3
UPPER CASING	C8

BRACKET 2



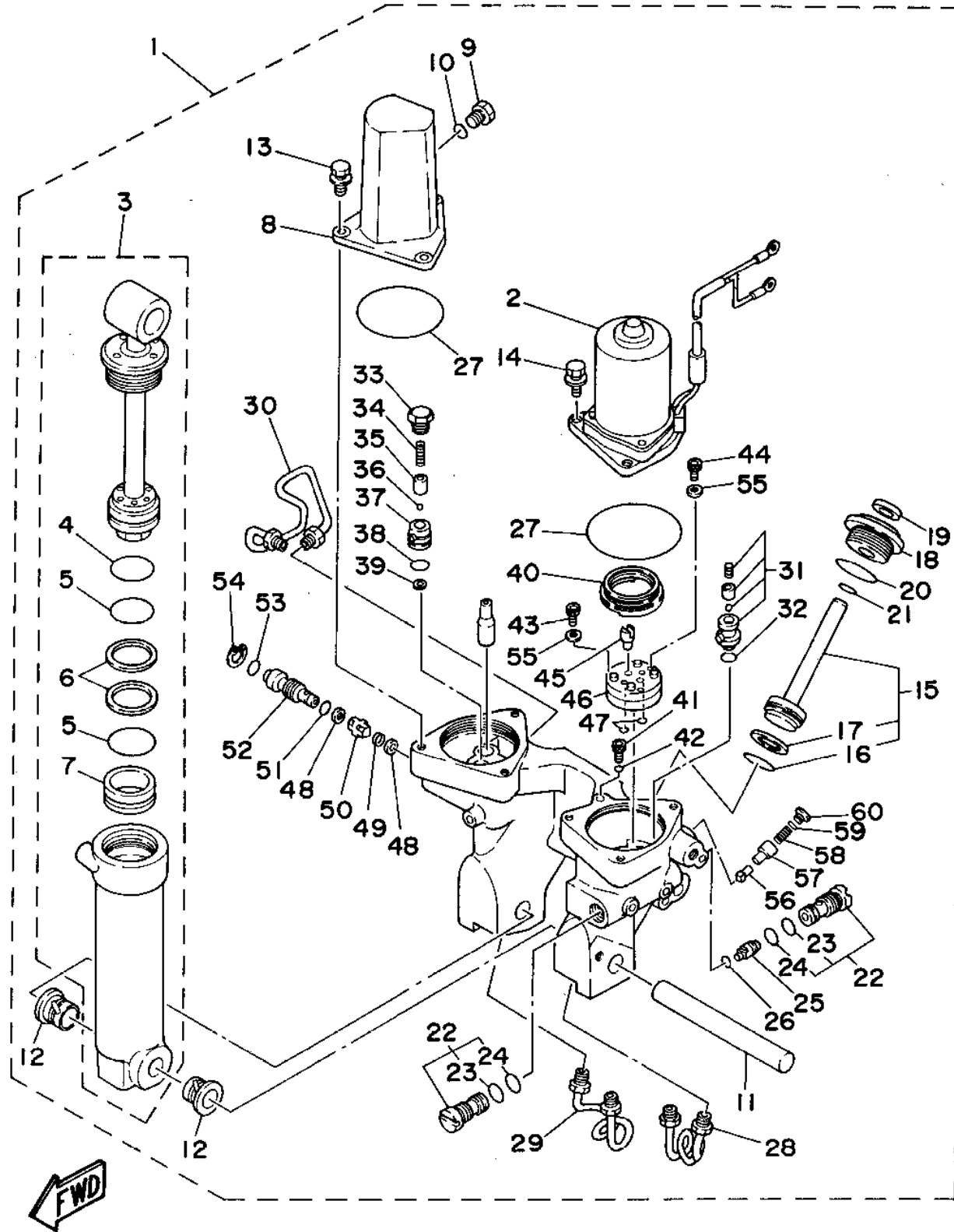
Ref. No.	Part Number	Description	Qty	Remarks
1	688-43376-01-00	BOLT, THRUST RECEIVER ...	2	
2	95780-08300-00	NUT, FLANGE	2	
3	6H5-83672-01-00	TRIM SENDER	1	
4	98580-06016-00	SCREW, PAN HEAD	2	
5	90440-14M00-00	PIPE	1	
6	90465-11M10-00	CLAMP	3	
7	90465-08028-00	CLAMP	1	

CONTENTS

BOTTOM COWLING	B4-5
BRACKET 1	B6-8
BRACKET 2	B9
CARBURETOR	A6-7
CONTROL	C6-7
CRANKSHAFT - PISTON	A4
CYLINDER - CRANKCASE	A2-3
ELECTRICAL 1	D8
ELECTRICAL 2	D9
ELECTRICAL 3	E1
FUEL	B1-2
INTAKE	A5
LOWER CASING - DRIVE 1	C9, D1-2
LOWER CASING - DRIVE 2	D3-4
MAGNETO	D5
OIL PUMP	A8-9
POWER TRIM & TILT ASSEMBLY 1	C1-3
REPAIR KIT 1	E2-3
REPAIR KIT 2	E4
STARTING MOTOR	D6-7
STEERING	C4-5
TOP COWLING	B3
UPPER CASING	C8



POWER TRIM & TILT ASSEMBLY 1



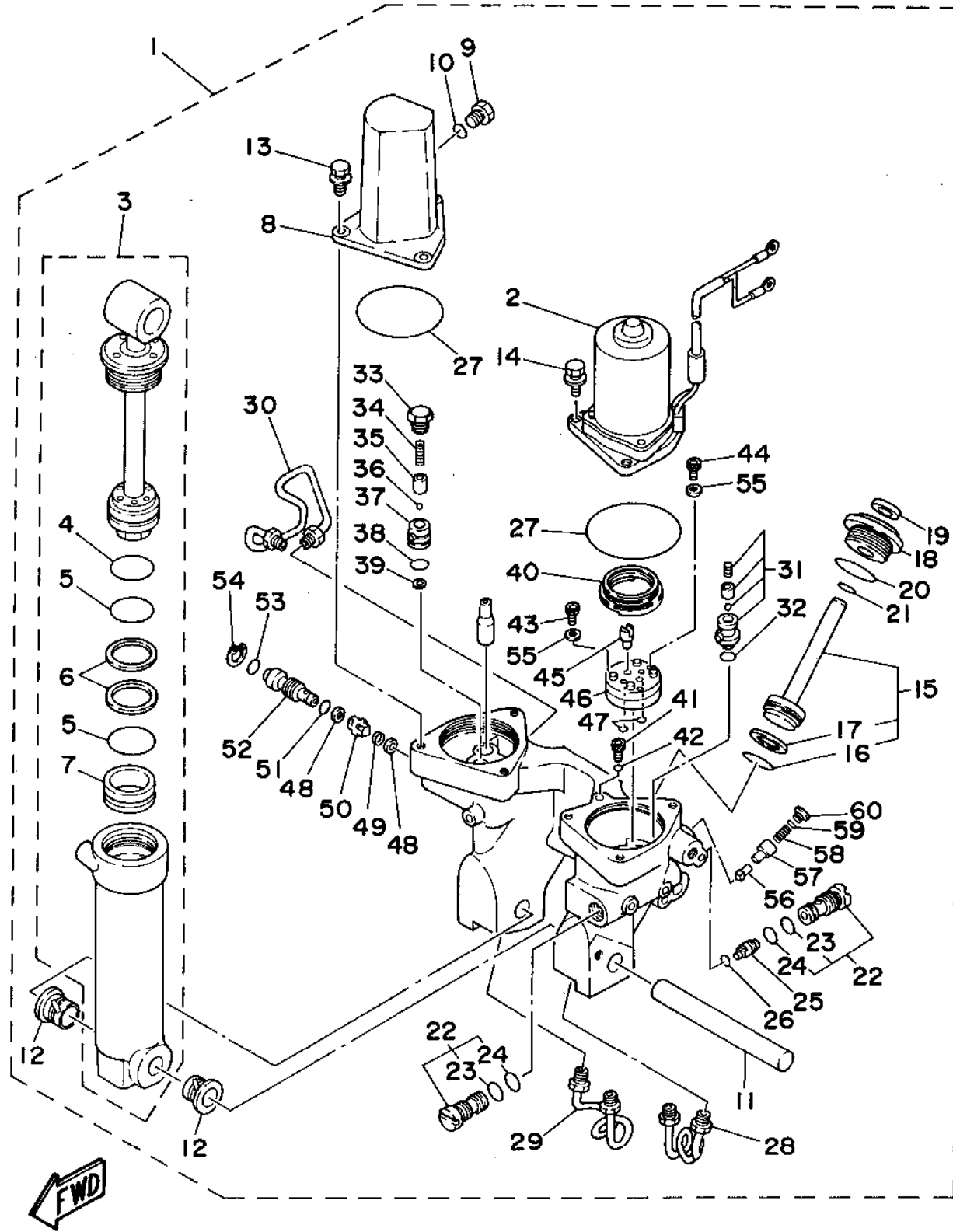
Ref. No.	Part Number	Description	Qty	Remarks
1	6H3-43800-07-4D	POWER TRIM & TILT ASSEMBLY	1	
2	6H1-43880-02-00	. MOTOR ASSY	1	
3	697-4380E-01-00	. TILT CYLINDER ASSEMBLY .	1	
4	6E5-43861-00-00	.. O-RING	1	
5	6E5-43862-00-00	.. O-RING	2	
6	6E5-43872-00-00	.. RING, BACK UP	2	
7	6E5-43814-01-00	.. PISTON, FREE	1	
8	6E5-43828-00-00	. BODY, RESERVOIR	1	
9	6E5-43829-00-00	. PLUG, RESERVOIR	1	
10	6E5-43863-00-00	. O-RING	1	
11	6E5-43818-00-00	. PIN, LOWER SHOCK MOUNT	1	
12	90386-18M14-00	. BUSH	2	
13	90119-06M42-00	. BOLT, WITH WASHER	3	
14	90119-06M71-00	. BOLT, WITH WASHER	3	
15	6E5-43820-03-00	. PISTON SUB ASSEMBLY ...	2	
16	6E5-43864-00-00	.. O-RING	1	
17	6E5-43874-01-00	.. RING, BACK UP	1	
18	6E5-43821-01-00	. SCREW, TRIM CYLINDER END	2	
19	6E5-43822-01-00	. SEAL, TRIM DUST	2	
20	6E5-43862-00-00	. O-RING	2	
21	6E5-43865-00-00	. O-RING	2	
22	6E5-43802-00-00	. VALVE SUB ASSEMBLY	2	
23	6E5-43866-00-00	.. O-RING	1	
24	6E5-43867-00-00	.. O-RING	1	
25	6E5-43841-01-00	. PISTON, SHUTTLE	1	
26	6E5-43868-00-00	. O-RING	1	
27	6E5-43869-00-00	. O-RING	2	
28	6E5-43833-01-00	. PIPE	1	
29	6E5-43834-01-00	. PIPE	1	

CONTENTS

BOTTOM COWLING	B4-5
BRACKET 1	B6-8
BRACKET 2	B9
CARBURETOR	A6-7
CONTROL	C6-7
CRANKSHAFT - PISTON	A4
CYLINDER - CRANKCASE	A2-3
ELECTRICAL 1	D8
ELECTRICAL 2	D9
ELECTRICAL 3	E1
FUEL INTAKE	B1-2
LOWER CASING - DRIVE 1	A5
LOWER CASING - DRIVE 2	C9, D1-2
MAGNETO	D3-4
OIL PUMP	D5
POWER TRIM & TILT ASSEMBLY 1	A8-9
REPAIR KIT 1	C1-3
REPAIR KIT 2	E2-3
STARTING MOTOR	E4
STEERING	D6-7
TOP COWLING	C4-5
UPPER CASING	B3
	C8

CONTINUED ON NEXT FRAME >

POWER TRIM & TILT ASSEMBLY 1

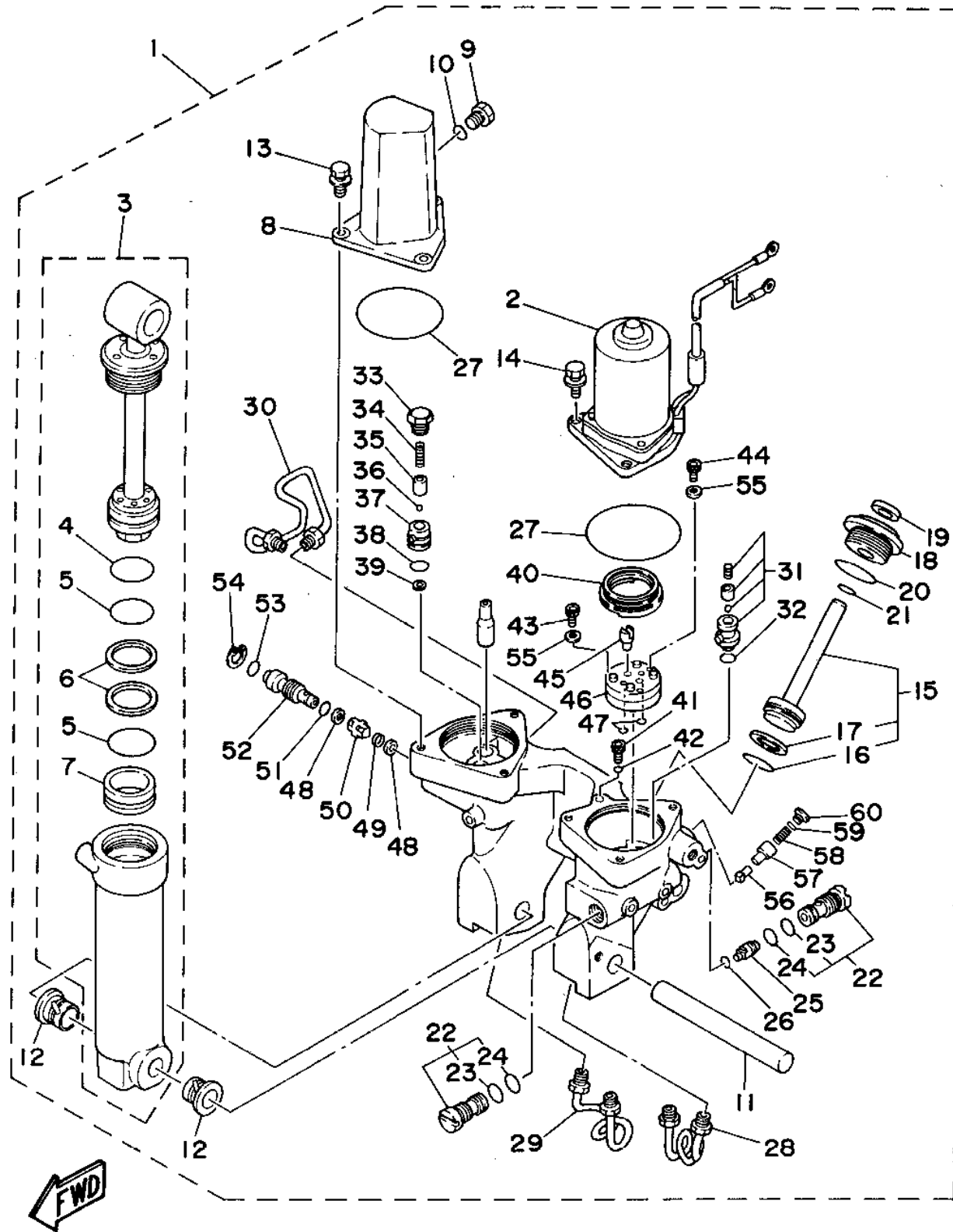


Ref. No.	Part Number	Description	Qty	Remarks
30	6E5-43835-01-00	. PIPE	1	
31	6G5-43808-02-00	. SEAT VALVE COMP. 1	1	
32	6E5-43883-00-00	. O-RING	1	
33	6E5-43843-00-00	. SCREW, VALVE LOCK	1	
34	6H3-43855-00-00	. SPRING, UP RELIEF	1	
35	6E5-43859-00-00	. PIN, VALVE SUPPORT	1	
36	6E5-43877-01-00	. BALL	1	
37	6E5-43895-00-00	. SEAT, RELIEF VALVE	1	
38	6E5-43896-00-00	...O-RING	1	
39	6E5-43816-10-00	. FILTER 1	1	
40	6E5-43817-10-00	. FILTER 2	1	
41	90109-06M21-00	. BOLT	1	
42	6E5-43897-00-00	. O-RING	1	
43	6E5-43878-01-00	. BOLT, SOCKET	2	
44	6E5-43888-01-00	. BOLT, SOCKET	1	
45	6E5-43831-00-00	. CONNECTOR, SHAFT	1	
46	6E5-43830-00-00	. GEAR PUMP ASSEMBLY ...	1	
47	93210-07M78-00	. O-RING	2	
48	6E5-43847-00-00	. SEAT, MANUAL VALVE	2	
49	6E5-43854-01-00	. SPRING, MANUAL RELEASE	1	
50	6E5-4382A-00-00	. ADAPTOR 1	1	
51	93210-10M74-00	. O-RING	1	
52	6E5-43845-01-00	. SCREW, MANUAL RELEASE .	1	
53	93210-18M75-00	. O-RING	1	
54	6H1-43875-00-00	. RING, SNAP	1	
55	90201-05M00-00	. WASHER, PLATE	3	
56	6E5-4381A-00-00	. SHAFT	1	
57	6E5-43849-01-00	. PIN, VALVE SUPPORT	1	
58	6E5-43824-01-00	. SPRING, COMPRESSION	1	
59	93210-06M77-00	. O-RING	1	

CONTENTS	
BOTTOM COWLING	B4-5
BRACKET 1	B6-8
BRACKET 2	B9
CARBURETOR	A6-7
CONTROL	C6-7
CRANKSHAFT - PISTON	A4
CYLINDER - CRANKCASE	A2-3
ELECTRICAL 1	D8
ELECTRICAL 2	D9
ELECTRICAL 3	E1
FUEL INTAKE	B1-2
LOWER CASING - DRIVE 1	A5
LOWER CASING - DRIVE 2	C9, D1-2
MAGNETO	D3-4
OIL PUMP	D5
POWER TRIM & TILT ASSEMBLY 1	A8-9
REPAIR KIT 1	C1-3
REPAIR KIT 2	E2-3
STARTING MOTOR	E4
STEERING	D6-7
TOP COWLING	C4-5
UPPER CASING	B3
	C8

CONTINUED ON NEXT FRAME >

POWER TRIM & TILT ASSEMBLY 1

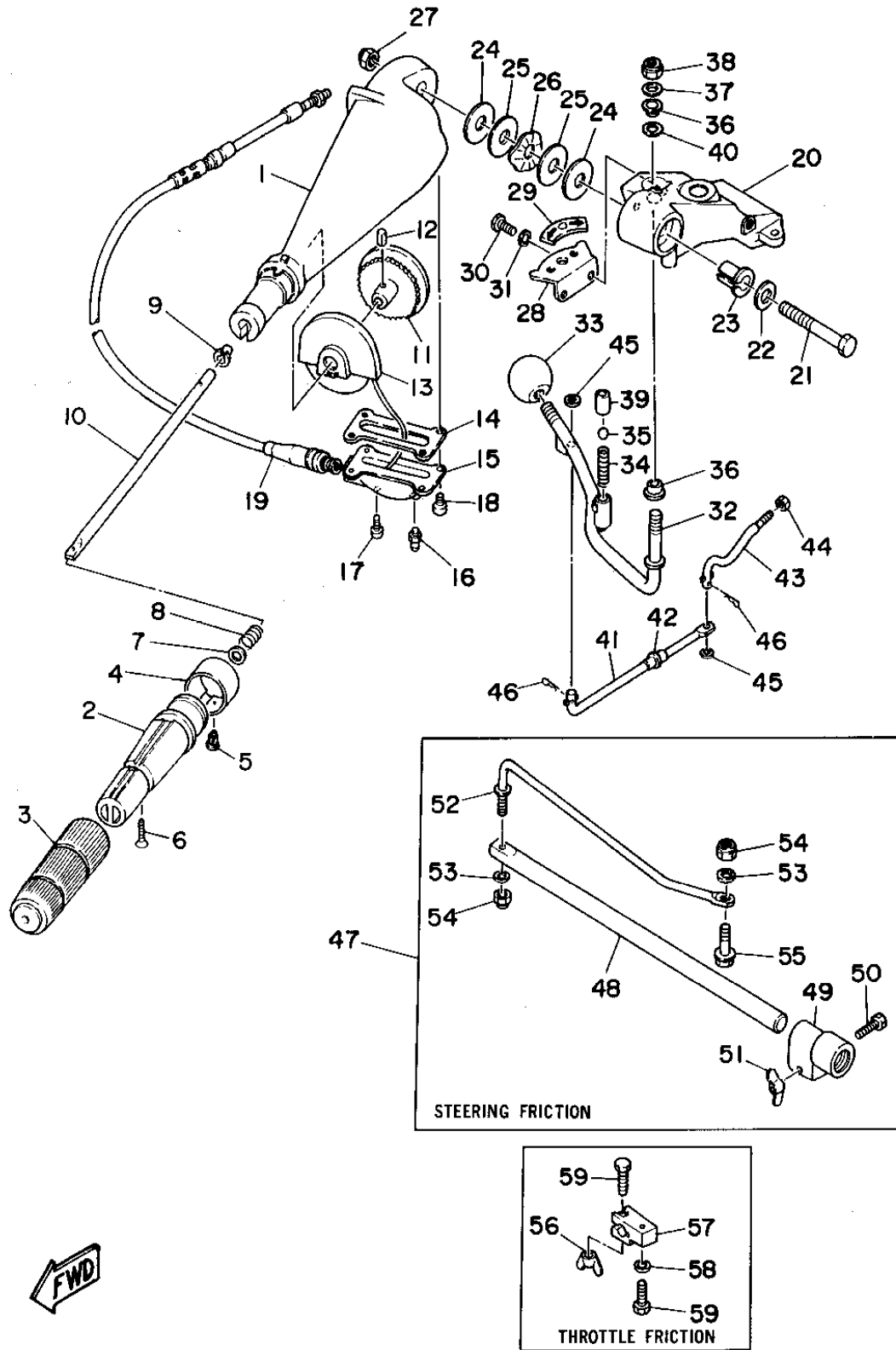


Ref. No.	Part Number	Description	Qty	Remarks
60	6E5-43842-00-00	. SCREW, VALVE SEAT	1	

CONTENTS

BOTTOM COWLING	B4-5
BRACKET 1	B6-8
BRACKET 2	B9
CARBURETOR	A6-7
CONTROL	C6-7
CRANKSHAFT - PISTON	A4
CYLINDER - CRANKCASE	A2-3
ELECTRICAL 1	D8
ELECTRICAL 2	D9
ELECTRICAL 3	E1
FUEL	B1-2
INTAKE	A5
LOWER CASING - DRIVE 1	C9, D1-2
LOWER CASING - DRIVE 2	D3-4
MAGNETO	D5
OIL PUMP	A8-9
POWER TRIM & TILT ASSEMBLY 1	C1-3
REPAIR KIT 1	E2-3
REPAIR KIT 2	E4
STARTING MOTOR	D6-7
STEERING	C4-5
TOP COWLING	B3
UPPER CASING	C8

STEERING



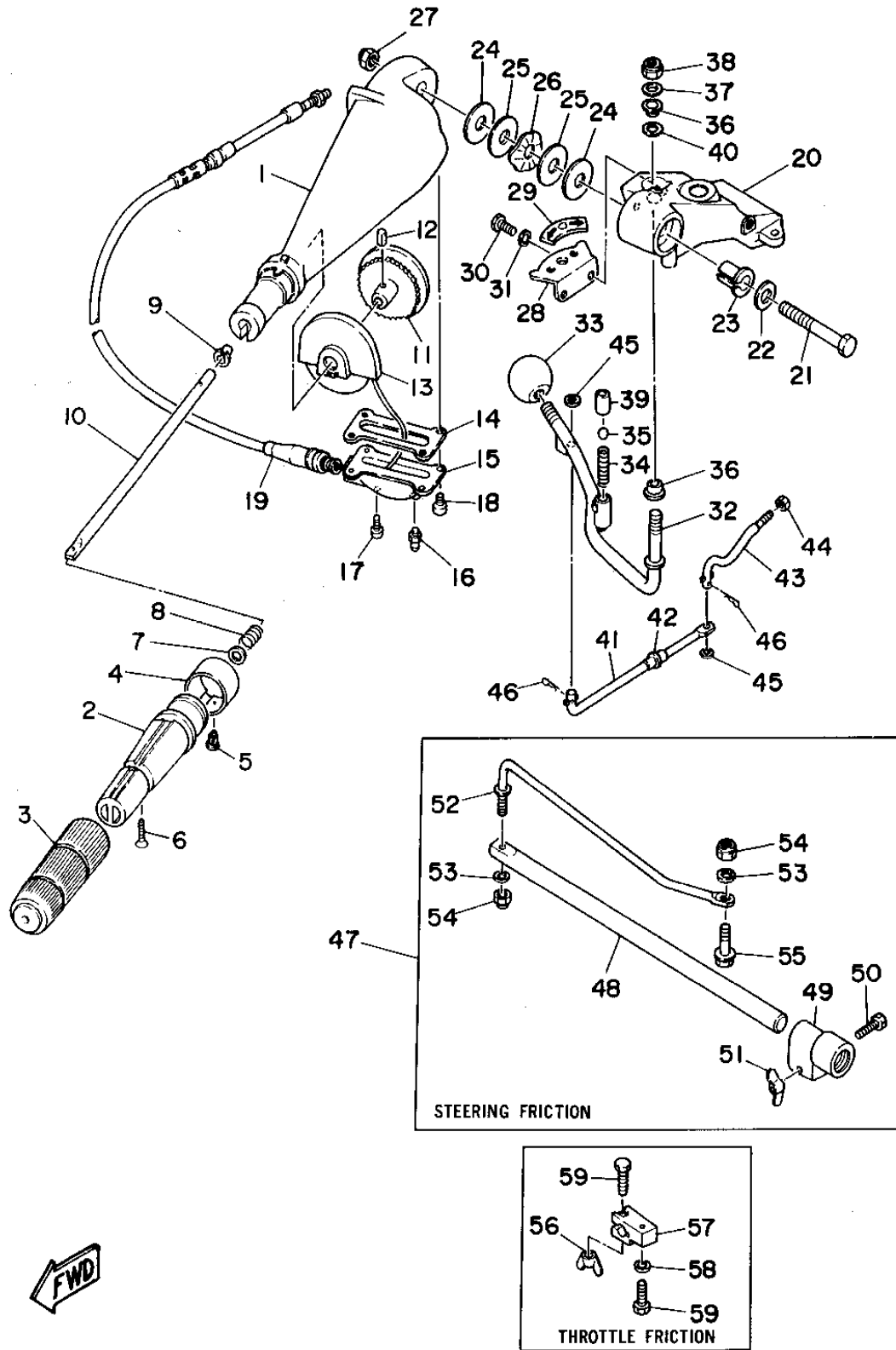
Ref. No.	Part Number	Description	Qty	Remarks
1	692-42111-20-4D	HANDLE, STEERING	1	
2	664-42119-00-00	GRIP, STEERING HANDLE	1	
3	6G1-42177-00-00	RUBBER, HANDLE	1	
4	697-42137-10-00	INDICATOR, THROTTLE	1	
5	90269-02M09-00	RIVET	1	
6	90149-05M13-00	SCREW	1	
7	92990-10600-00	WASHER, PLATE	1	
8	90501-23215-00	SPRING, COMPRESSION	1	
9	90386-08032-00	BUSH	1	
10	692-42115-00-00	SHAFT, STEERING HANDLE	1	
11	663-42138-00-00	LEVER, THROTTLE	1	
12	91690-30216-00	PIN, SPRING	1	
13	663-42135-01-00	HOUSING, THROTTLE LEVER	1	
14	663-42133-01-00	GASKET	1	
15	663-42134-02-94	COVER, THROTTLE LEVER	1	
16	93700-06M03-00	NIPPLE, GREASE	1	
17	98580-06008-00	SCREW, PAN HEAD	1	
18	97895-05012-00	SCREW, PAN HEAD	4	
19	692-26301-03-00	THROTTLE CABLE ASSY	1	
20	6H4-42121-10-4D	BRACKET	1	
21	90101-12M06-00	BOLT	1	
22	92990-12200-00	WASHER, PLAIN	1	
23	90386-12089-00	BUSH	1	
24	90202-12092-00	WASHER, PLATE	2	
25	90201-12537-00	WASHER, PLATE	2	
26	90206-12054-00	WASHER, WAVE	1	
27	90185-12058-00	NUT, SELF-LOCKING	1	
28	6H4-44113-10-00	CAM PLATE, HANDLE	1	
29	6K5-44191-00-00	INDICATOR, SHIFT	1	
30	97395-06016-00	BOLT	2	

CONTENTS

BOTTOM COWLING	B4-5
BRACKET 1	B6-8
BRACKET 2	B9
CARBURETOR	A6-7
CONTROL	C6-7
CRANKSHAFT - PISTON	A4
CYLINDER - CRANKCASE	A2-3
ELECTRICAL 1	D8
ELECTRICAL 2	D9
ELECTRICAL 3	E1
FUEL	B1-2
INTAKE	A5
LOWER CASING - DRIVE 1	C9, D1-2
LOWER CASING - DRIVE 2	D3-4
MAGNETO	D5
OIL PUMP	A8-9
POWER TRIM & TILT ASSEMBLY 1	C1-3
REPAIR KIT 1	E2-3
REPAIR KIT 2	E4
STARTING MOTOR	D6-7
STEERING	C4-5
TOP COWLING	B3
UPPER CASING	C8

CONTINUED ON NEXT FRAME ►

STEERING

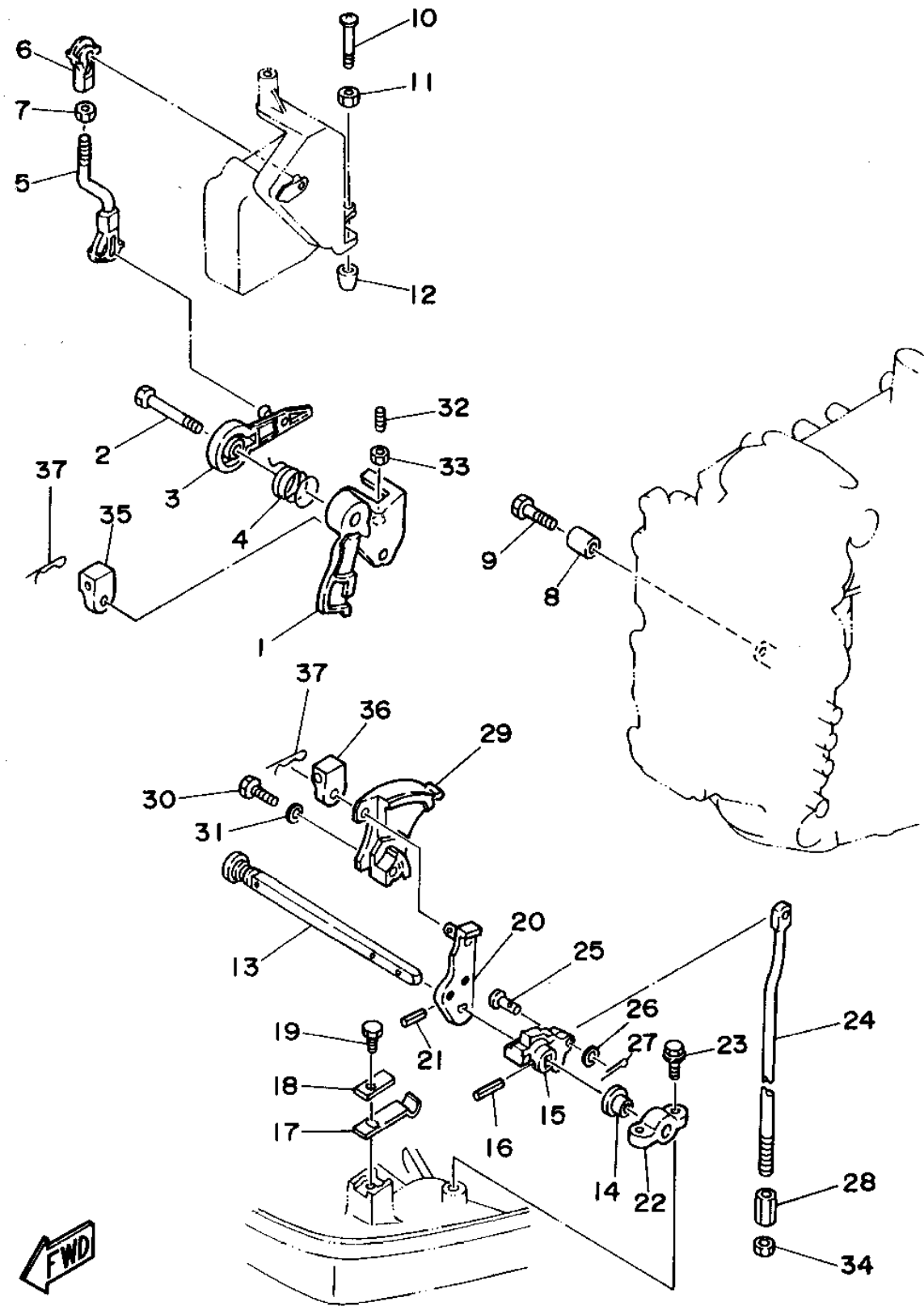


Ref. No.	Part Number	Description	Qty	Remarks
31	92995-06100-00	WASHER, SPRING	2	
32	6H4-44159-00-00	HANDLE, GEAR SHIFT	1	
33	663-44173-00-00	LEVER, SHIFT CONTROL	1	
34	90501-16M17-00	SPRING, COMPRESSION	1	
35	93515-32M01-00	BALL	1	
36	90386-10009-00	BUSH	2	
37	90201-10120-00	WASHER, PLATE	1	
38	90185-10051-00	NUT, SELF-LOCKING	1	
39	90387-12M30-00	COLLAR	1	
40	90201-12M34-00	WASHER, PLATE	1	
41	6H4-42191-01-00	ROD 1	1	
42	90386-06088-00	BUSH	1	
43	6H4-42192-01-00	ROD 2	1	
44	700-48339-00-00	NUT, CABLE END	1	
45	92990-06600-00	WASHER, PLATE	2	
46	91490-25020-00	PIN, COTTER	2	
47	6H5-42508-00-00	STEERING FRICTION ASSEMBLY	1	
48	663-42518-00-00	. SHAFT, FRICTION	1	
49	663-42528-00-00	. PLATE, FRICTION	1	
50	97095-06035-00	. BOLT	1	
51	90175-06003-00	. NUT, WING	1	
52	6H5-42515-00-00	. ROD, STEERING LINK	1	
53	92990-08600-00	. WASHER, PLATE	3	
54	95780-08300-00	. NUT, FLANGE	2	
55	90101-08M11-00	. BOLT	1	
56	90175-06003-00	NUT, WING	1	
57	663-42126-01-00	FRICTION, STEERING HANDLE GRIP	1	
58	92990-06600-00	WASHER, PLATE	1	
59	97095-06025-00	BOLT	2	

CONTENTS

BOTTOM COWLING	B4-5
BRACKET 1	B6-8
BRACKET 2	B9
CARBURETOR	A6-7
CONTROL	C6-7
CRANKSHAFT - PISTON	A4
CYLINDER - CRANKCASE	A2-3
ELECTRICAL 1	D8
ELECTRICAL 2	D9
ELECTRICAL 3	E1
FUEL	B1-2
INTAKE	A5
LOWER CASING - DRIVE 1	C9, D1-2
LOWER CASING - DRIVE 2	D3-4
MAGNETO	D5
OIL PUMP	A8-9
POWER TRIM & TILT ASSEMBLY 1	C1-3
REPAIR KIT 1	E2-3
REPAIR KIT 2	E4
STARTING MOTOR	D6-7
STEERING	C4-5
TOP COWLING	B3
UPPER CASING	C8

CONTROL



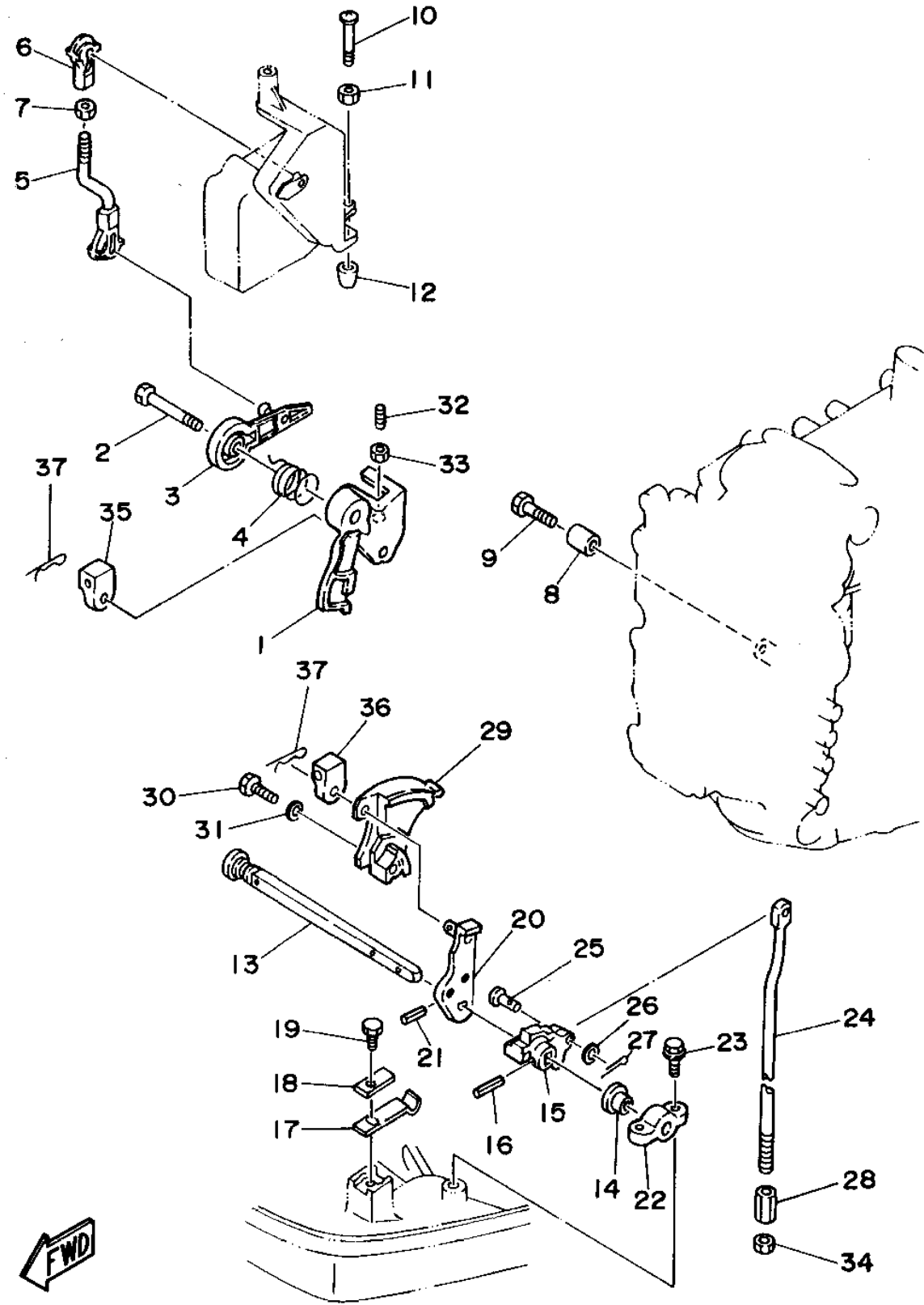
Ref. No.	Part Number	Description	Qty	Remarks
1	6H4-41213-04-00	CAM, ACCEL.	1	
2	90109-06M43-00	BOLT	1	
3	6H4-41632-01-00	LEVER, MAGNETO CONTROL .	1	
4	90508-26M20-00	SPRING, TORSION	1	
5	6G5-41636-01-00	ROD, MAGNETO CONTROL ..	1	
6	6H4-41237-00-00	JOINT, LINK	1	
7	95380-05600-00	.NUT	1	
8	90387-06M19-00	COLLAR	1	
9	97095-06025-00	BOLT	1	
10	90157-06M13-00	SCREW, PAN HEAD	1	
11	95601-06200-00	NUT, HEXAGON	1	
12	688-44194-00-00	CAP	1	
13	6H4-44111-10-00	HANDLE, GEAR SHIFT	1	
14	682-44132-00-00	BUSHING	1	
15	6H4-44121-02-00	LEVER, SHIFT ROD	1	
16	91690-30318-00	PIN, SPRING	1	
17	6H4-44116-00-00	SPRING	1	
18	682-44117-00-00	BRACKET	1	
19	97395-06016-00	BOLT	1	
20	6H4-44125-01-00	LEVER, SHIFT ROD	1	
21	91690-30316-00	PIN, SPRING	1	
22	6F5-41662-00-00	BRACKET	1	
23	97595-06520-00	BOLT, WITH WASHER	2	
24	6H4-44143-00-00	ROD, SHIFT	1	
25	91790-05020-00	PIN, CLEVIS	1	
26	92990-05600-00	WASHER, PLATE	1	
27	91490-16010-00	PIN, COTTER	1	
28	648-44146-00-00	CONNECTOR, SHIFT ROD	1	
29	6H4-41633-01-00	LEVER, MAGNETO CONTROL .	1	
30	97313-05020-00	BOLT, HEXAGON	1	

CONTENTS

BOTTOM COWLING	B4-5
BRACKET 1	B6-8
BRACKET 2	B9
CARBURETOR	A6-7
CONTROL	C6-7
CRANKSHAFT - PISTON	A4
CYLINDER - CRANKCASE	A2-3
ELECTRICAL 1	D8
ELECTRICAL 2	D9
ELECTRICAL 3	E1
FUEL	B1-2
INTAKE	A5
LOWER CASING - DRIVE 1	C9, D1-2
LOWER CASING - DRIVE 2	D3-4
MAGNETO	D5
OIL PUMP	A8-9
POWER TRIM & TILT ASSEMBLY 1	C1-3
REPAIR KIT 1	E2-3
REPAIR KIT 2	E4
STARTING MOTOR	D6-7
STEERING	C4-5
TOP COWLING	B3
UPPER CASING	C8

CONTINUED ON NEXT FRAME ►

CONTROL



Ref. No.	Part Number	Description	Qty	Remarks
31	92990-05600-00	WASHER, PLATE	1	
32	90113-05M06-00	BOLT, SET	1	
33	95303-05700-00	NUT	1	
34	90170-07021-00	NUT	1	
35	6H4-48344-A0-00	CABLE END, REMOTE CONTROL	1	
36	6H4-48344-00-00	CABLE END, REMOTE CONTROL	1	
37	90468-18008-00	CLIP	2	

CONTENTS

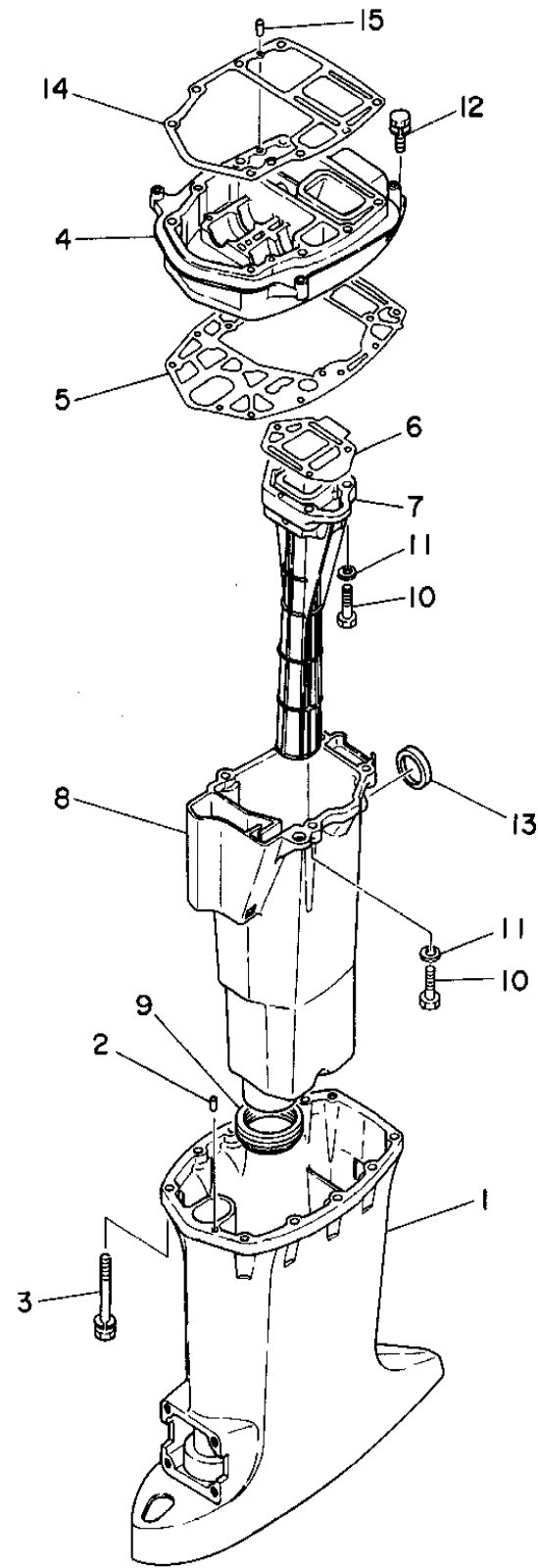
BOTTOM COWLING	B4-5
BRACKET 1	B6-8
BRACKET 2	B9
CARBURETOR	A6-7
CONTROL	C6-7
CRANKSHAFT - PISTON	A4
CYLINDER - CRANKCASE	A2-3
ELECTRICAL 1	D8
ELECTRICAL 2	D9
ELECTRICAL 3	E1
FUEL	B1-2
INTAKE	A5
LOWER CASING - DRIVE 1	C9, D1-2
LOWER CASING - DRIVE 2	D3-4
MAGNETO	D5
OIL PUMP	A8-9
POWER TRIM & TILT ASSEMBLY 1	C1-3
REPAIR KIT 1	E2-3
REPAIR KIT 2	E4
STARTING MOTOR	D6-7
STEERING	C4-5
TOP COWLING	B3
UPPER CASING	C8

UPPER CASING

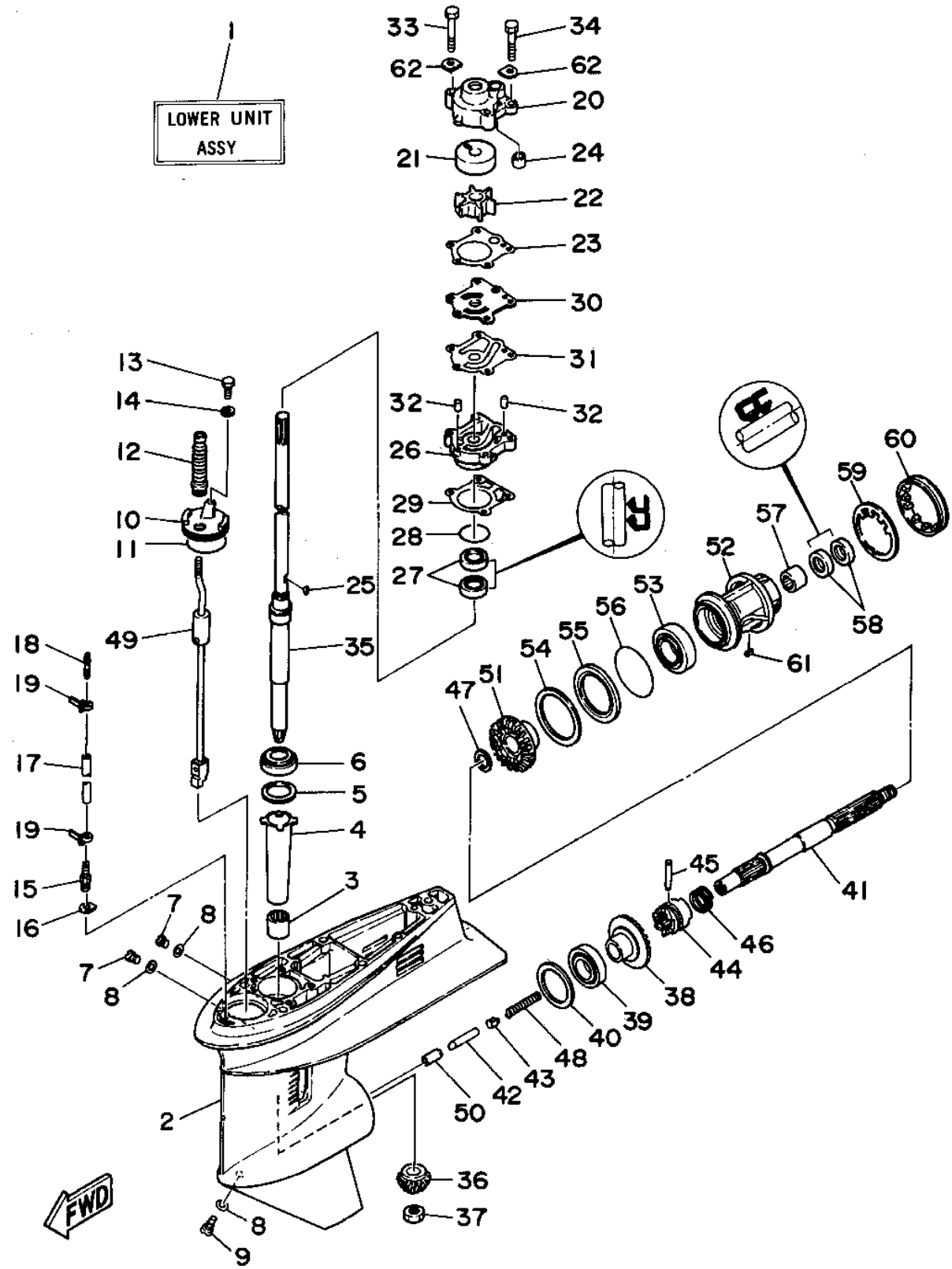
CONTENTS

BOTTOM COWLING	B4-5
BRACKET 1	B6-8
BRACKET 2	B9
CARBURETOR	A6-7
CONTROL	C6-7
CRANKSHAFT - PISTON	A4
CYLINDER - CRANKCASE	A2-3
ELECTRICAL 1	D8
ELECTRICAL 2	D9
ELECTRICAL 3	E1
FUEL	B1-2
INTAKE	A5
LOWER CASING - DRIVE 1	C9, D1-2
LOWER CASING - DRIVE 2	D3-4
MAGNETO	D5
OIL PUMP	A8-9
POWER TRIM & TILT	
ASSEMBLY 1	C1-3
REPAIR KIT 1	E2-3
REPAIR KIT 2	E4
STARTING MOTOR	D6-7
STEERING	C4-5
TOP COWLING	B3
UPPER CASING	C8

Ref. No.	Part Number	Description	Qty	Remarks
1	6H4-45111-10-4D	CASING, UPPER	1	
2	93606-12019-00	PIN, DOWEL	2	
3	90119-08M83-00	BOLT, WITH WASHER	8	
4	6H4-41137-00-94	GUIDE, EXHAUST	1	
5	6H4-45114-A1-00	GASKET, UPPER CASING	1	
6	6H4-41134-A0-00	GASKET, EXHAUST MANIFOLD	1	
7	6H5-41131-00-5B	MANIFOLD, EXT. 1	1	
8	6H4-14711-10-5B	MUFFLER 1	1	
9	663-45123-00-00	GASKET, MUFFLER	1	
10	97395-08030-00	BOLT	7	
11	92990-08600-00	WASHER, PLATE	7	
12	90119-08M79-00	BOLT, WITH WASHER	2	
13	6H4-41133-00-00	GASKET, EXHAUST MANIFOLD 1	1	
14	6H4-45113-A0-00	GASKET, UPPER CASING	1	
15	93606-12019-00	PIN, DOWEL	2	



LOWER CASING - DRIVE 1

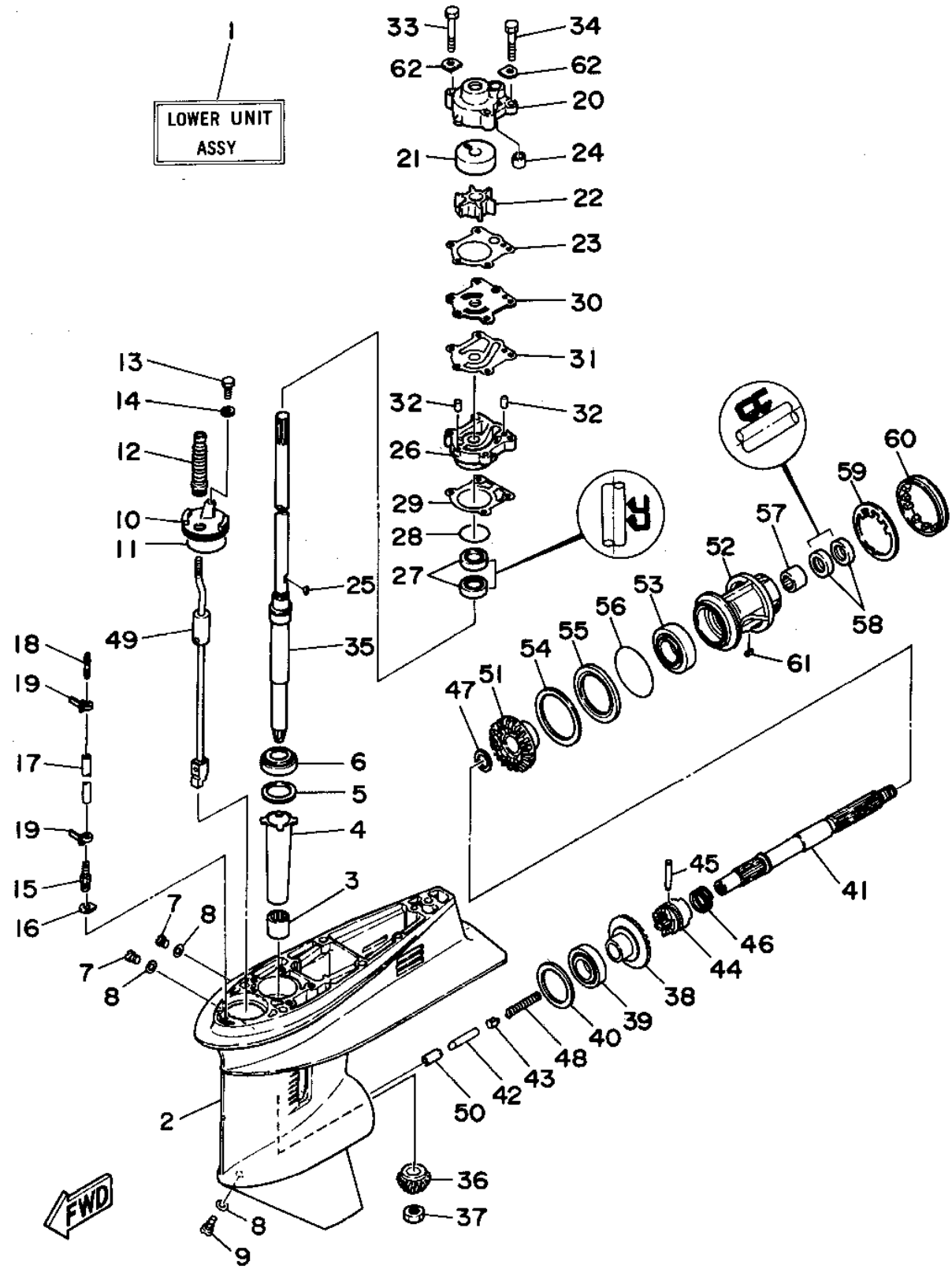


Ref. No.	Part Number	Description	Qty	Remarks
1	6H4-45300-12-4D	LOWER UNIT ASSEMBLY (REF. #2-62)	1	
2	6H4-45301-01-4D	CASING, LOWER	1	
3	93315-32224-00	BEARING	1	
4	6H4-45536-00-00	SLEEVE, DRIVE SHAFT	1	
5	663-45587-01-10	SHIM (T:0.10MM)	1	UR
	663-45587-01-12	SHIM (T:0.12MM)	1	UR
	663-45587-01-15	SHIM (T:0.15MM)	1	UR
	663-45587-01-18	SHIM (T:0.18MM)	1	UR
	663-45587-01-40	SHIM (T:0.40MM)	1	UR
	663-45587-01-50	SHIM (T:0.50MM)	1	UR
	663-45587-01-30	SHIM (T:0.30MM)	1	UR
6	93332-00001-00	BEARING	1	
7	90340-08M04-00	PLUG, STRAIGHT SCREW	2	
8	90430-08020-00	.GASKET	3	
9	688-45341-00-00	PLUG, DRAIN	1	
10	6H4-45321-01-00	PLATE	1	
11	93210-49ME0-00	O-RING	1	
12	6G1-44147-00-00	BOOT, SHIFT ROD	1	
13	97395-06016-00	BOLT	1	
14	92990-06600-00	WASHER, PLATE	1	
15	6H4-45378-00-00	NIPPLE, HOSE	1	
16	90209-10M14-00	WASHER	1	
17	90445-07M31-00	HOSE (L200)	1	
18	6E5-83558-00-00	END, NIPPLE	1	
19	90465-11M10-00	CLAMP	2	
20	6J8-44311-00-00	HOUSING, WATER PUMP	1	
21	663-44322-00-00	INSERT, CARTRIDGE	1	
22	6H4-44352-02-00	IMPELLER	1	
23	663-44315-A0-00	GASKET, WATER PUMP	1	

CONTENTS	
BOTTOM COWLING	B4-5
BRACKET 1	B6-8
BRACKET 2	B9
CARBURETOR	A6-7
CONTROL	C6-7
CRANKSHAFT - PISTON	A4
CYLINDER - CRANKCASE	A2-3
ELECTRICAL 1	D8
ELECTRICAL 2	D9
ELECTRICAL 3	E1
FUEL INTAKE	B1-2
LOWER CASING - DRIVE 1	C9, D1-2
LOWER CASING - DRIVE 2	D3-4
MAGNETO	D5
OIL PUMP	A8-9
POWER TRIM & TILT ASSEMBLY 1	C1-3
REPAIR KIT 1	E2-3
REPAIR KIT 2	E4
STARTING MOTOR	D6-7
STEERING	C4-5
TOP COWLING	B3
UPPER CASING	C8

CONTINUED ON NEXT FRAME >

LOWER CASING - DRIVE 1



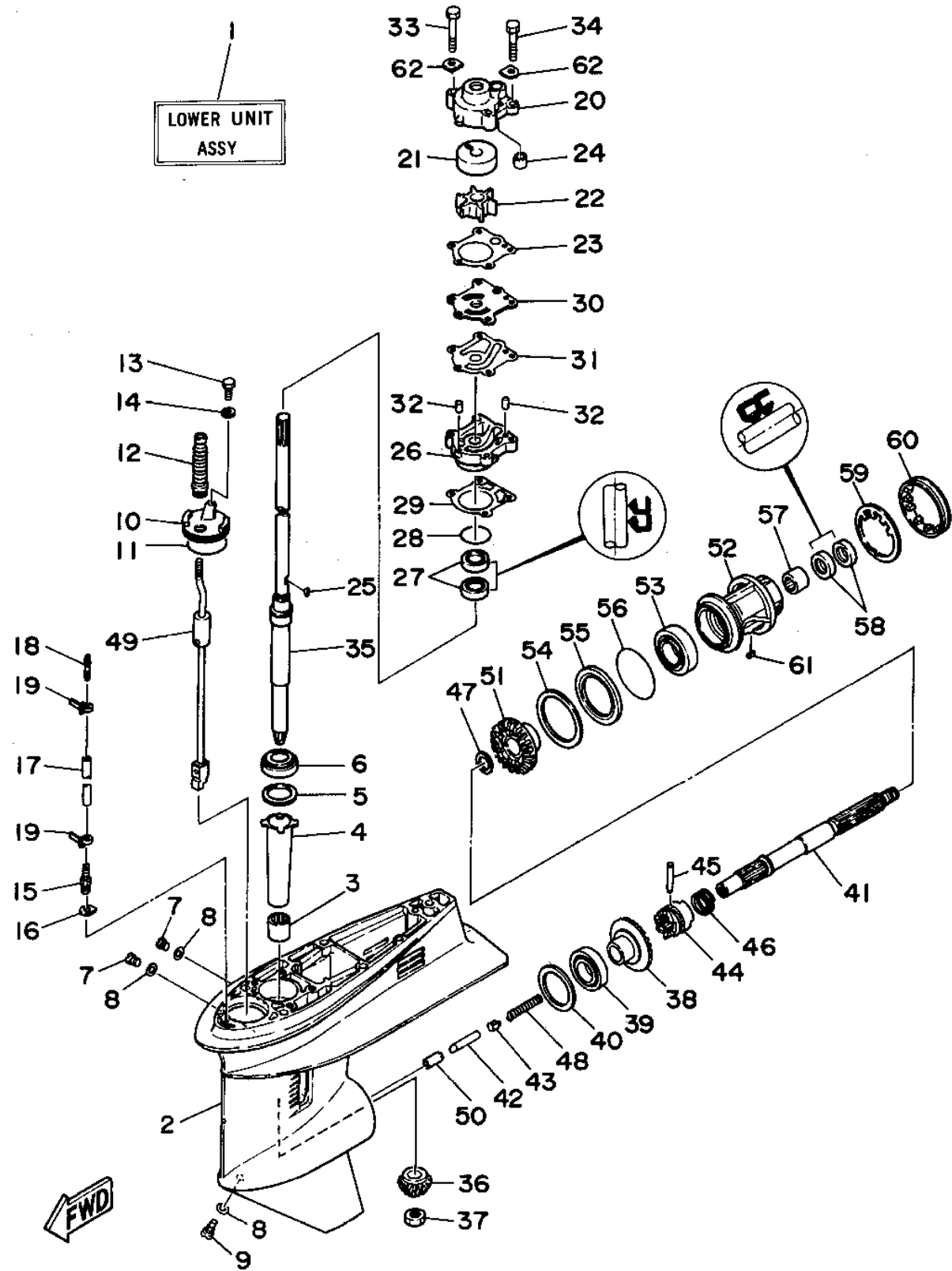
Ref. No.	Part Number	Description	Qty	Remarks
24	663-44366-00-00	DAMPER, WATER SEAL	1	
25	90280-03024-00	.KEY, WOODRUFF	1	
26	663-44341-00-94	HOUSING, WATER PUMP	1	
27	93101-23070-00	OIL SEAL	2	
28	93210-41042-00	O-RING	1	
29	663-44316-A0-00	GASKET, WATER PUMP	1	
30	663-44323-00-00	OUTER PLATE, CARTRIDGE ..	1	
31	663-44324-A0-00	GASKET, CARTRIDGE	1	
32	93604-08062-00	PIN, DOWEL	2	
33	97395-08055-00	BOLT	2	
34	97395-08045-00	BOLT	2	
35	6H4-45501-10-00	DRIVE SHAFT COMP.	1	
36	6H4-45551-00-00	PINION	1	
37	90170-12138-00	NUT	1	
38	6H4-45560-00-00	GEAR	1	
39	93332-000V4-00	BEARING	1	
40	6H4-45567-01-10	SHIM (T:0.10MM)	1	UR
	6H4-45567-01-12	SHIM (T:0.12MM)	1	UR
	6H4-45567-01-15	SHIM (T:0.15MM)	1	UR
	6H4-45567-01-18	SHIM (T:0.18MM)	1	UR
	6H4-45567-01-30	SHIM (T:0.30MM)	1	UR
	6H4-45567-01-40	SHIM (T:0.40MM)	1	UR
	6H4-45567-01-50	SHIM (T:0.50MM)	1	UR
41	679-45611-01-00	SHAFT, PROPELLER	1	
42	676-45635-00-00	PLUNGER, SHIFT	1	
43	663-45634-00-00	SLIDE, SHIFT	1	
44	6H4-45631-00-00	CLUTCH, DOG	1	
45	90250-06023-00	PIN, STRAIGHT	1	
46	663-45633-00-00	RING, CROSS PIN	1	
47	90201-22429-00	WASHER, PLATE	1	

CONTENTS

BOTTOM COWLING	B4-5
BRACKET 1	B6-8
BRACKET 2	B9
CARBURETOR	A6-7
CONTROL	C6-7
CRANKSHAFT - PISTON	A4
CYLINDER - CRANKCASE	A2-3
ELECTRICAL 1	D8
ELECTRICAL 2	D9
ELECTRICAL 3	E1
FUEL	B1-2
INTAKE	A5
LOWER CASING - DRIVE 1	C9, D1-2
LOWER CASING - DRIVE 2	D3-4
MAGNETO	D5
OIL PUMP	A8-9
POWER TRIM & TILT ASSEMBLY 1	C1-3
REPAIR KIT 1	E2-3
REPAIR KIT 2	E4
STARTING MOTOR	D6-7
STEERING	C4-5
TOP COWLING	B3
UPPER CASING	C8

CONTINUED ON NEXT FRAME >

LOWER CASING - DRIVE 1

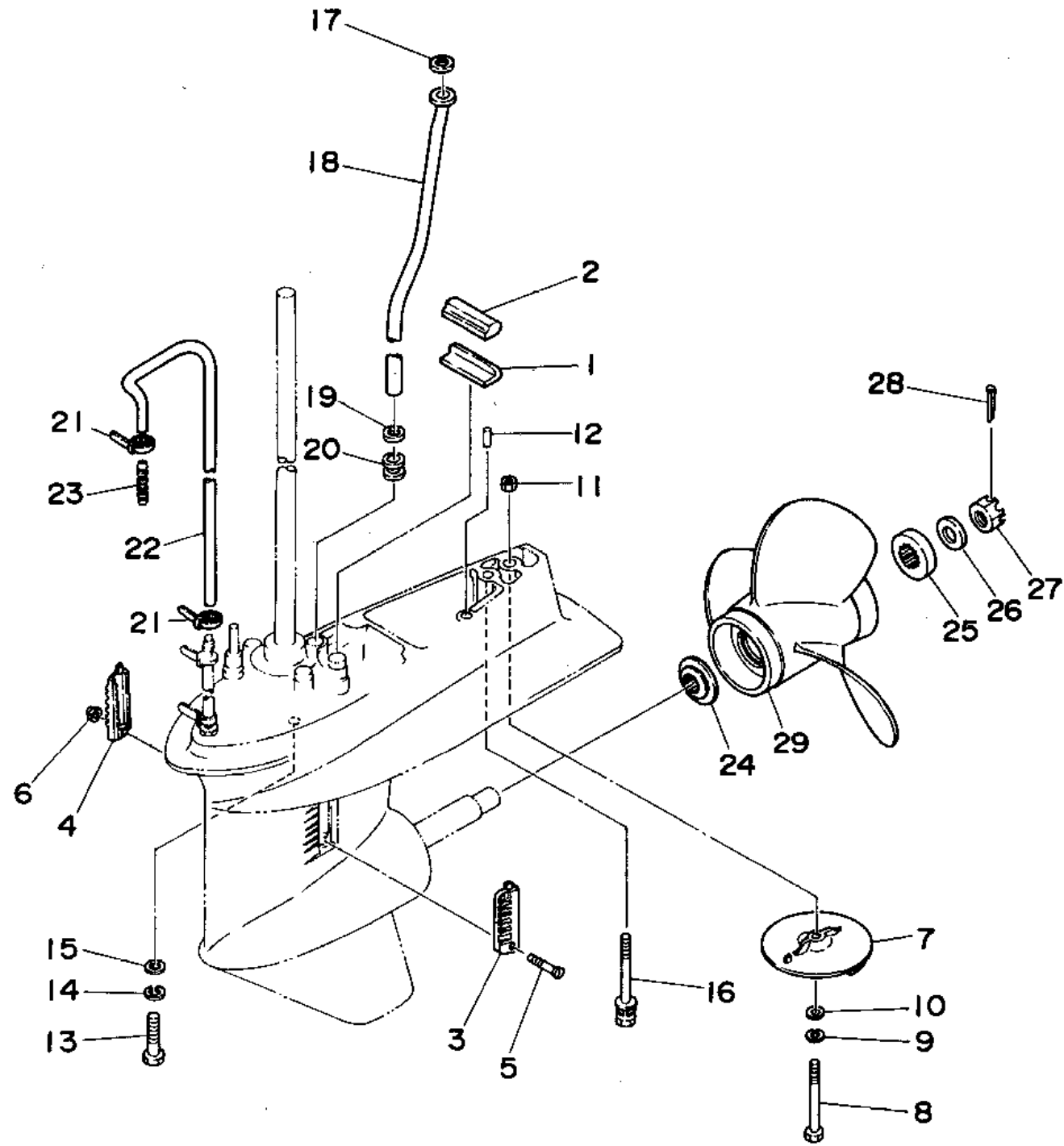


Ref. No.	Part Number	Description	Qty	Remarks
48	90501-16M01-00	SPRING, COMPRESSION	1	
49	6H4-44150-12-00	SHIFT CAM ASSEMBLY	1	
50	6H4-44160-00-00	DETENT COMP.	1	
51	6H4-45571-00-00	GEAR	1	
52	679-45331-00-94	HOUSING, BEARING	1	
53	93306-00702-00	BEARING	1	
54	663-45577-01-10	SHIM (T:0.10MM)	1	UR
	663-45577-01-12	SHIM (T:0.12MM)	1	UR
	663-45577-01-15	SHIM (T:0.15MM)	1	UR
	663-45577-01-18	SHIM (T:0.18MM)	1	UR
	663-45577-01-30	SHIM (T:0.30MM)	1	UR
	663-45577-01-40	SHIM (T:0.40MM)	1	UR
	663-45577-01-50	SHIM (T:0.50MM)	1	UR
55	663-45576-00-00	WASHER, THRUST	1	
56	93210-66M98-00	O-RING	1	
57	93317-22204-00	BEARING	1	
58	93101-22067-00	OIL SEAL	2	
59	90214-48M03-00	WASHER, CLAW	1	
60	697-45384-00-00	NUT	1	
61	90282-04010-00	KEY, STRAIGHT	1	
62	90209-08M02-00	WASHER	4	

CONTENTS

BOTTOM COWLING	B4-5
BRACKET 1	B6-8
BRACKET 2	B9
CARBURETOR	A6-7
CONTROL	C6-7
CRANKSHAFT - PISTON	A4
CYLINDER - CRANKCASE	A2-3
ELECTRICAL 1	D8
ELECTRICAL 2	D9
ELECTRICAL 3	E1
FUEL INTAKE	B1-2
INTAKE	A5
LOWER CASING - DRIVE 1	C9, D1-2
LOWER CASING - DRIVE 2	D3-4
MAGNETO	D5
OIL PUMP	A8-9
POWER TRIM & TILT ASSEMBLY 1	C1-3
REPAIR KIT 1	E2-3
REPAIR KIT 2	E4
STARTING MOTOR	D6-7
STEERING	C4-5
TOP COWLING	B3
UPPER CASING	C8

LOWER CASING - DRIVE 2



Ref. No.	Part Number	Description	Qty	Remarks
1	663-45376-00-94	GUIDE, SEAL DAMPER	1	
2	688-45375-00-00	DAMPER, SEAL	1	
3	688-45214-02-00	COVER, WATER INLET	1	
4	688-45215-02-00	COVER, WATER INLET	1	
5	98680-05535-00	SCREW, OVAL HEAD	1	
6	90185-05002-00	NUT, SELF-LOCKING	1	
7	664-45371-01-00	TAB-TRIM	1	
8	97375-08075-00	BOLT	1	
9	92990-08100-00	WASHER, SPRING	1	
10	92990-08600-00	WASHER, PLATE	1	
11	95380-08600-00	NUT	1	
12	93606-12019-00	PIN, DOWEL	2	
13	97395-10040-00	BOLT	4	
14	92990-10100-00	WASHER, SPRING	4	
15	92990-10600-00	WASHER, PLATE	4	
16	90119-08M92-00	BOLT, WITH WASHER	1	
17	90202-12060-00	WASHER, PLATE	1	
18	6H4-44361-10-00	TUBE, WATER	1	
19	90430-12072-00	GASKET	1	
20	663-44367-00-00	DAMPER, WATER SEAL	1	
21	90465-11M10-00	CLAMP	2	
22	90445-07MF1-00	HOSE (L570)	1	
23	6E5-83558-00-00	END, NIPPLE	1	
24	663-45987-02-00	SPACER	1	
25	670-45997-02-00	SPACER	1	
26	92990-16200-00	WASHER, PLAIN	1	
27	90171-16011-00	NUT, CASTLE	1	
28	91490-30030-00	PIN, COTTER	1	
29	663-45941-01-EL	PROPELLER (3X10-3/4)	1	UR
	6H5-45943-00-EL	PROPELLER (3X10"X15"-G) ..	1	UR

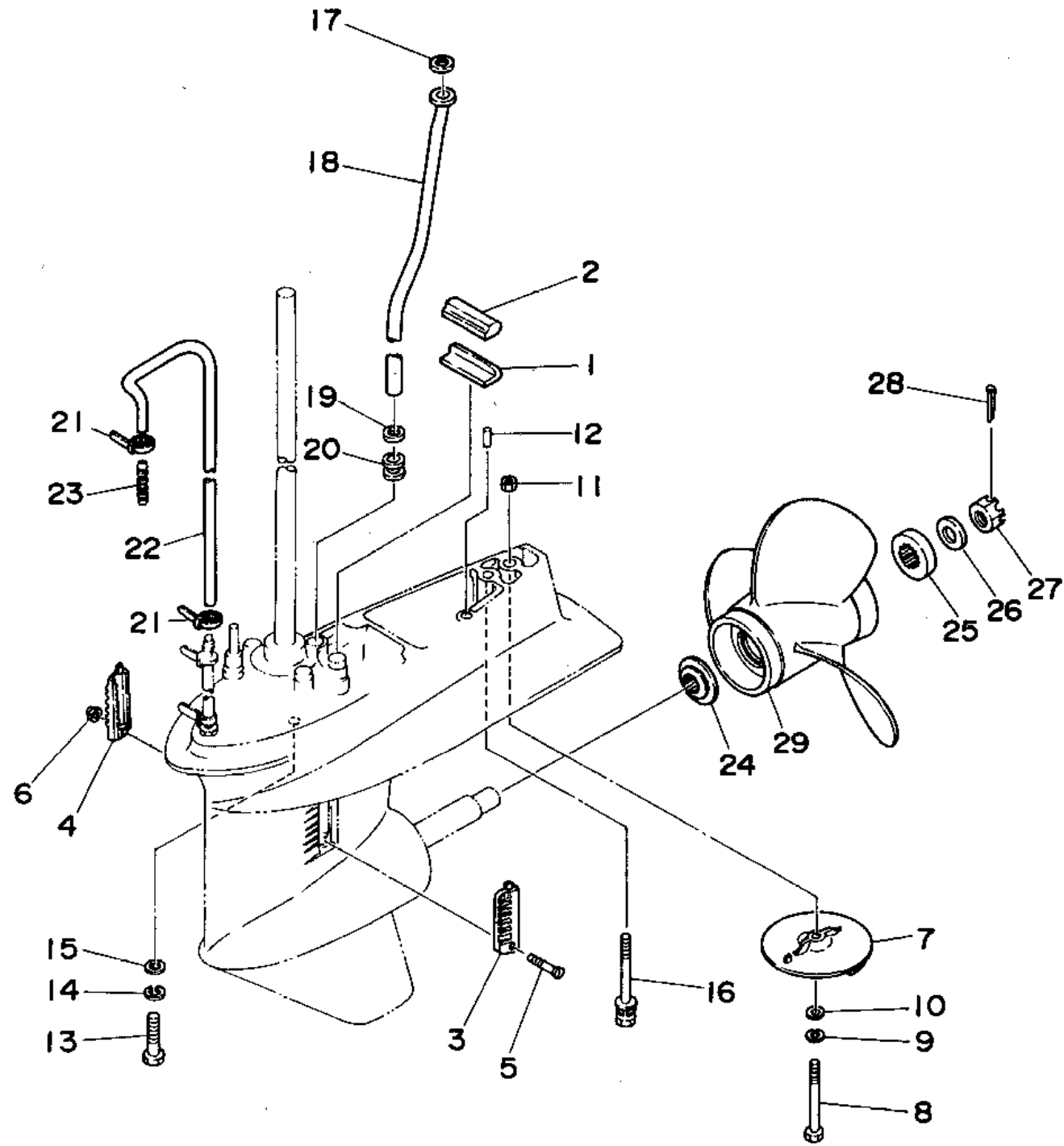
CONTENTS

BOTTOM COWLING	B4-5
BRACKET 1	B6-8
BRACKET 2	B9
CARBURETOR	A6-7
CONTROL	C6-7
CRANKSHAFT - PISTON	A4
CYLINDER - CRANKCASE	A2-3
ELECTRICAL 1	D8
ELECTRICAL 2	D9
ELECTRICAL 3	E1
FUEL	B1-2
INTAKE	A5
LOWER CASING - DRIVE 1	C9, D1-2
LOWER CASING - DRIVE 2	D3-4
MAGNETO	D5
OIL PUMP	A8-9
POWER TRIM & TILT ASSEMBLY 1	C1-3
REPAIR KIT 1	E2-3
REPAIR KIT 2	E4
STARTING MOTOR	D6-7
STEERING	C4-5
TOP COWLING	B3
UPPER CASING	C8

CONTINUED ON NEXT FRAME >



LOWER CASING - DRIVE 2



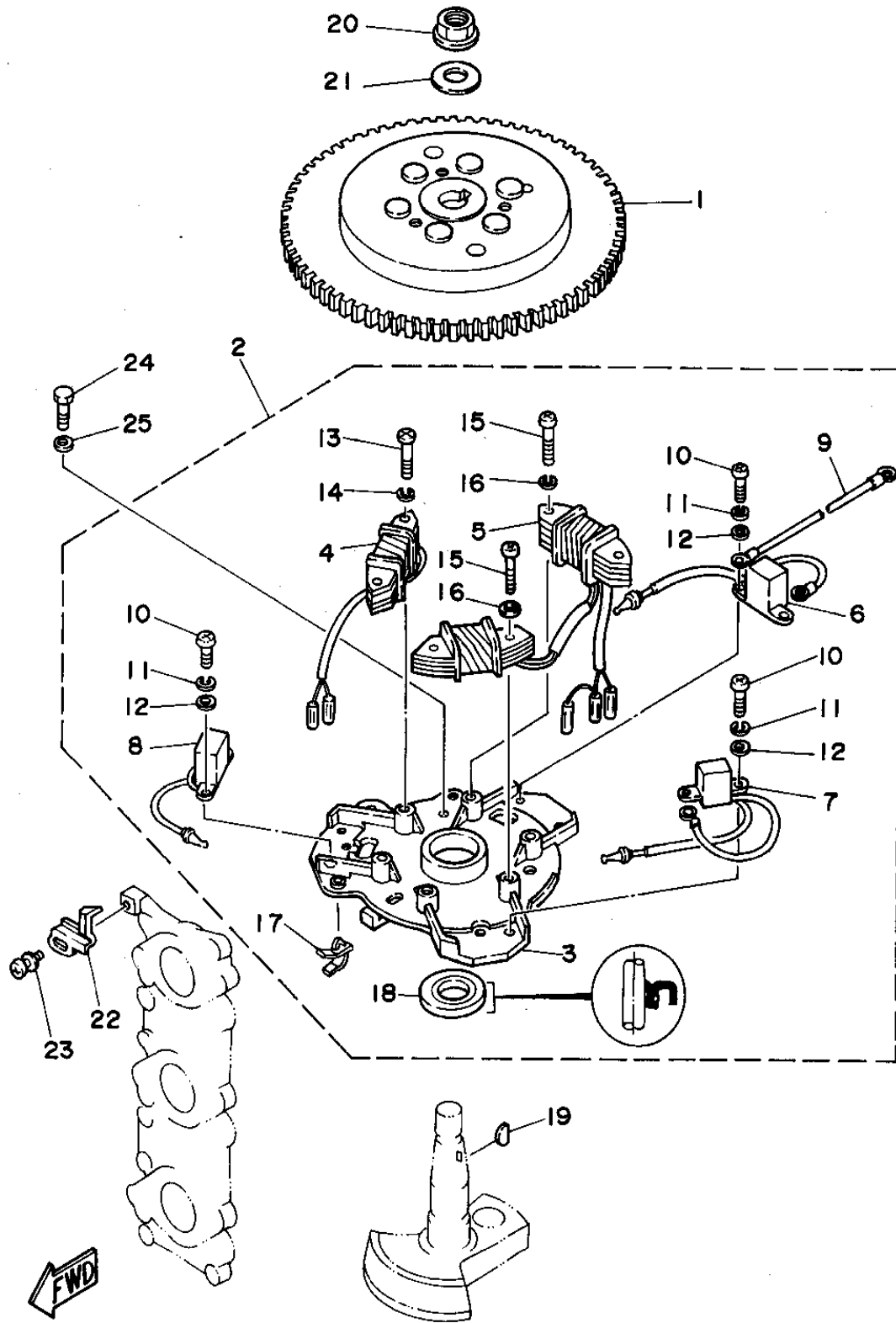
Ref. No.	Part Number	Description	Qty	Remarks
29	6H5-45943-00-EL	PROPELLER (3X10"X15"-G) ..	1	UR WITH LIP CAP
	6H5-45945-00-EL	PROPELLER (3X10-3/8"X13"-G)	1	UR
	6H5-45945-00-EL	PROPELLER (3X10-3/8"X13"-G)	1	UR WITH LIP CAP
	663-45947-02-EL	PROPELLER (3X11-5/8"X11"-G)	1	UR
	663-45949-01-EL	PROPELLER (3X10-3/4"X16"-G)	1	UR
	6H5-45952-00-EL	PROPELLER (3X10-5/8"X12"-G)	1	UR
	6H5-45952-00-EL	PROPELLER (3X10-5/8"X12"-G)	1	UR WITH LIP CAP
	663-45956-01-EL	PROPELLER (3X12-1/4"X9"-G)	1	UR
	6H5-45958-00-EL	PROPELLER (3X10-1/4)	1	UR WITH LIP CAP
	663-45970-60-98	PROPELLER (3X11-3/4"X12"-G)	1	UR
	663-45972-60-98	PROPELLER (3X12"X11"-G) ..	1	UR
	663-45974-60-98	PROPELLER (3X11-1/2"X13"-G)	1	UR
	663-45976-00-98	PROPELLER (3X10-1/4"X15"-G)	1	UR
	663-45978-00-98	PROPELLER (3X10-1/4"X16"-G)	1	UR
	663-45930-00-98	PROPELLER (3X10-1/4"X14"-G)	1	UR
	663-45958-01-EL	PROPELLER (3X11-1/4)	1	UR

CONTENTS

BOTTOM COWLING	B4-5
BRACKET 1	B6-8
BRACKET 2	B9
CARBURETOR	A6-7
CONTROL	C6-7
CRANKSHAFT - PISTON	A4
CYLINDER - CRANKCASE	A2-3
ELECTRICAL 1	D8
ELECTRICAL 2	D9
ELECTRICAL 3	E1
FUEL	B1-2
INTAKE	A5
LOWER CASING - DRIVE 1	C9, D1-2
LOWER CASING - DRIVE 2	D3-4
MAGNETO	D5
OIL PUMP	A8-9
POWER TRIM & TILT ASSEMBLY 1	C1-3
REPAIR KIT 1	E2-3
REPAIR KIT 2	E4
STARTING MOTOR	D6-7
STEERING	C4-5
TOP COWLING	B3
UPPER CASING	C8



MAGNETO

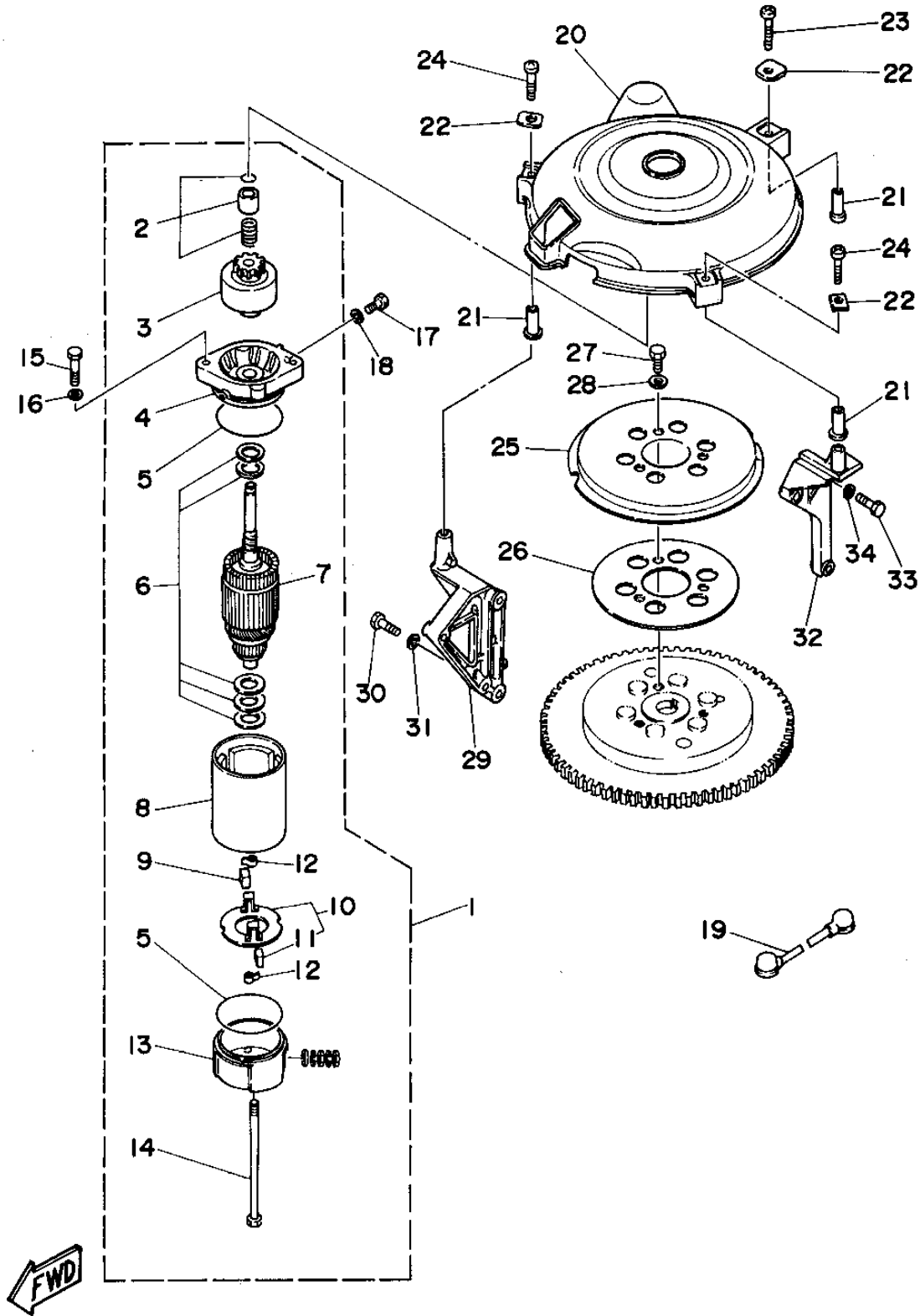


Ref. No.	Part Number	Description	Qty	Remarks
1	6H5-85550-00-00	ROTOR ASSEMBLY	1	
2	6H5-85560-02-00	BASE ASSEMBLY	1	
3	6H4-15359-04-94	. HOUSING, OIL SEAL	1	
4	6H5-85520-00-00	. COIL, CHARGE	1	
5	6H5-85533-01-00	. COIL, LIGHTING	1	
6	6H5-85580-00-00	. COIL, PULSER	1	
7	6H5-85580-10-00	. COIL, PULSER	1	
8	6H5-85580-20-00	. COIL, PULSER	1	
9	6H4-83354-00-00	. WIRE, EARTH LEAD 1	1	
10	98580-05012-00	. SCREW, PAN HEAD	6	
11	92990-05100-00	. WASHER, SPRING	6	
12	92901-05600-00	. WASHER, PLATE	6	
13	98511-06025-00	. SCREW PAN HEAD	2	
14	92995-06100-00	. WASHER, SPRING	2	
15	98580-06030-00	. SCREW, PAN HEAD	4	
16	92995-06100-00	. WASHER, SPRING	4	
17	90464-03M15-00	. CLAMP	2	
18	93102-23096-00	. OIL SEAL	1	
19	6H4-11545-00-00	KEY, WOODRUFF	1	
20	90179-16M05-00	NUT	1	
21	90201-16M44-00	WASHER, PLATE	1	
22	6H4-81332-00-00	PLATE, TIMING	1	
23	97985-05210-00	SCREW, WITH WASHER	1	
24	97313-06018-00	BOLT, HEXAGON	3	
25	92990-06600-00	WASHER, PLATE	3	

CONTENTS

BOTTOM COWLING	B4-5
BRACKET 1	B6-8
BRACKET 2	B9
CARBURETOR	A6-7
CONTROL	C6-7
CRANKSHAFT - PISTON	A4
CYLINDER - CRANKCASE	A2-3
ELECTRICAL 1	D8
ELECTRICAL 2	D9
ELECTRICAL 3	E1
FUEL	B1-2
INTAKE	A5
LOWER CASING - DRIVE 1	C9, D1-2
LOWER CASING - DRIVE 2	D3-4
MAGNETO	D5
OIL PUMP	A8-9
POWER TRIM & TILT ASSEMBLY 1	C1-3
REPAIR KIT 1	E2-3
REPAIR KIT 2	E4
STARTING MOTOR	D6-7
STEERING	C4-5
TOP COWLING	B3
UPPER CASING	C8

STARTING MOTOR



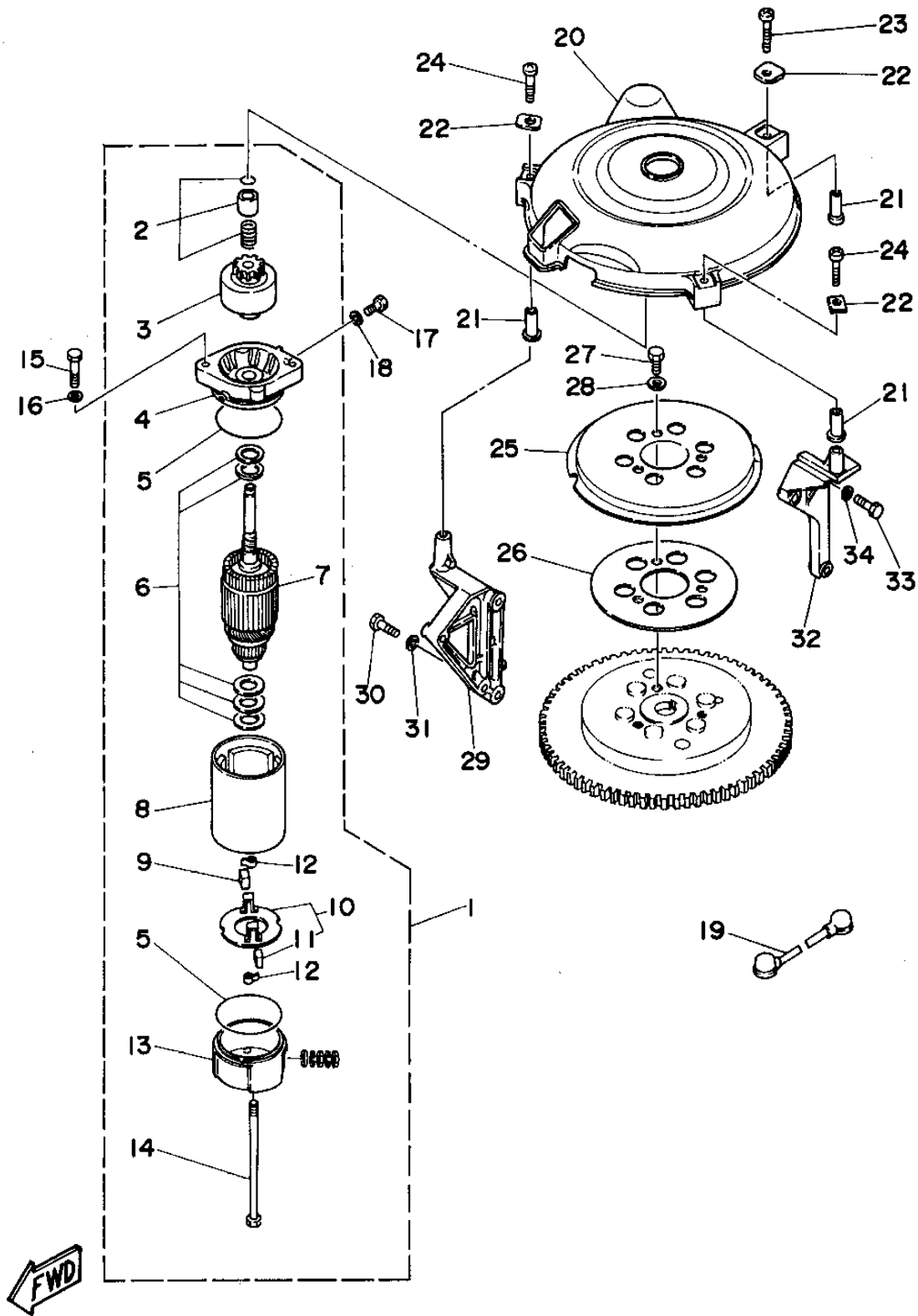
Ref. No.	Part Number	Description	Qty	Remarks
1	6F5-81800-11-00	STARTING MOTOR ASSY	1	
2	689-81857-11-00	. PINION STOPPER SET	1	
3	689-81807-12-00	. GEAR ASSY, STARTING MOTOR	1	
4	6F5-81830-11-00	. FRONT BRACKET ASSY	1	
5	689-81847-11-00	. O-RING	2	
6	689-81809-11-00	. WASHER KIT	1	
7	689-81850-12-00	. ARMATURE ASSY	1	
8	689-81810-11-00	. STATOR ASSY	1	
9	689-81811-11-00	. BRUSH 1	1	
10	689-81840-11-00	. BRUSH HOLDER ASSY	1	
11	689-81812-11-00	. BRUSH 2	1	
12	689-81813-10-00	. SPRING, BRUSH	2	
13	689-81820-11-00	. REAR BRACKET ASSY	1	
14	689-81826-10-00	. BOLT	2	
15	97313-08030-00	BOLT, HEXAGON	2	
16	92990-08600-00	WASHER, PLATE	2	
17	97313-08016-00	BOLT, HEXAGON	1	
18	92990-08600-00	WASHER, PLATE	1	
19	6H4-82117-00-00	WIRE, LEAD	1	
20	6H4-81337-01-00	COVER, FLYWHEEL	1	
21	90387-06M65-00	COLLAR	3	
22	90209-06M04-00	WASHER	3	
23	97895-06040-00	SCREW, PAN HEAD	1	
24	97895-06035-00	SCREW, PAN HEAD	2	
25	6J8-15723-E1-00	PULLEY, STARTER	1	
26	6J8-81365-A0-00	GASKET, HOLE COVER	1	
27	97011-08016-00	BOLT	3	
28	92990-08600-00	WASHER, PLATE	3	
29	6H4-15771-01-94	STAY 1	1	

CONTENTS

BOTTOM COWLING	B4-5
BRACKET 1	B6-8
BRACKET 2	B9
CARBURETOR	A6-7
CONTROL	C6-7
CRANKSHAFT - PISTON	A4
CYLINDER - CRANKCASE	A2-3
ELECTRICAL 1	D8
ELECTRICAL 2	D9
ELECTRICAL 3	E1
FUEL	B1-2
INTAKE	A5
LOWER CASING - DRIVE 1	C9, D1-2
LOWER CASING - DRIVE 2	D3-4
MAGNETO	D5
OIL PUMP	A8-9
POWER TRIM & TILT ASSEMBLY 1	C1-3
REPAIR KIT 1	E2-3
REPAIR KIT 2	E4
STARTING MOTOR	D6-7
STEERING	C4-5
TOP COWLING	B3
UPPER CASING	C8

CONTINUED ON NEXT FRAME ►

STARTING MOTOR

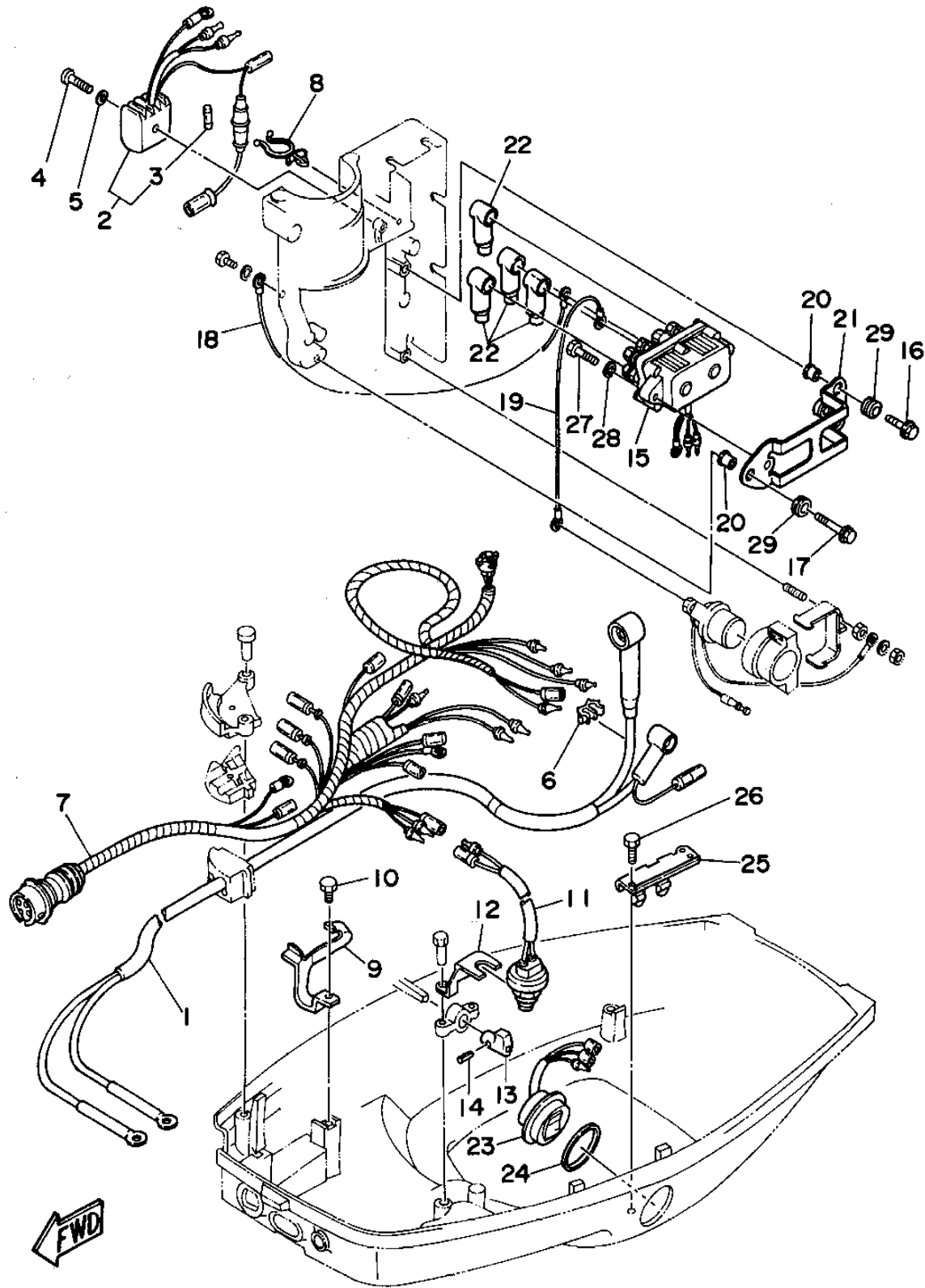


Ref. No.	Part Number	Description	Qty	Remarks
30	97313-08030-00	BOLT, HEXAGON	2	
31	92990-08600-00	WASHER, PLATE	2	
32	6H4-15772-02-94	STAY 2	1	
33	97095-06025-00	BOLT	3	
34	92990-06600-00	WASHER, PLATE	3	

CONTENTS

BOTTOM COWLING	B4-5
BRACKET 1	B6-8
BRACKET 2	B9
CARBURETOR	A6-7
CONTROL	C6-7
CRANKSHAFT - PISTON	A4
CYLINDER - CRANKCASE	A2-3
ELECTRICAL 1	D8
ELECTRICAL 2	D9
ELECTRICAL 3	E1
FUEL	B1-2
INTAKE	A5
LOWER CASING - DRIVE 1	C9, D1-2
LOWER CASING - DRIVE 2	D3-4
MAGNETO	D5
OIL PUMP	A8-9
POWER TRIM & TILT ASSEMBLY 1	C1-3
REPAIR KIT 1	E2-3
REPAIR KIT 2	E4
STARTING MOTOR	D6-7
STEERING	C4-5
TOP COWLING	B3
UPPER CASING	C8

ELECTRICAL 2

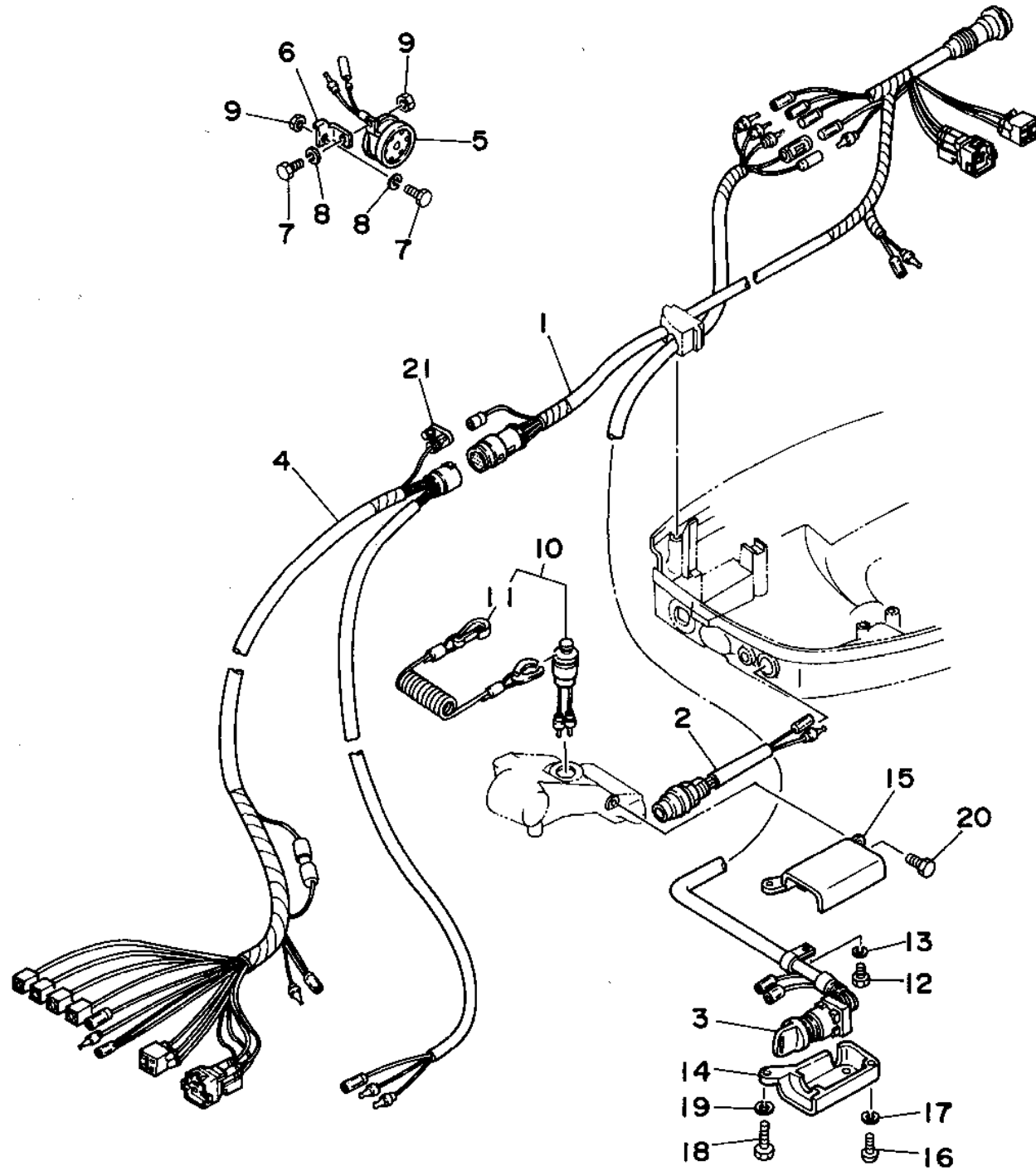


Ref. No.	Part Number	Description	Qty	Remarks
1	6H4-82105-01-00	WIRE HARNESS	1	
2	6G1-81970-61-00	RECTIFIER ASSY	1	
3	6G1-82151-00-00	..FUSE	1	
4	98580-05525-00	SCREW, PAN HEAD	1	
5	92990-05600-00	WASHER, PLATE	1	
6	90464-07M20-00	CLAMP	1	
7	6H4-82590-22-00	WIRE HARNESS ASSEMBLY ..	1	
8	90464-15M27-00	CLAMP	1	
9	6H4-82588-00-00	PLATE	1	
10	97013-06012-00	BOLT	1	
11	688-82540-11-00	NEUTRAL SWITCH ASSY	1	
12	6H4-82554-00-00	STAY, NEUTRAL SWITCH	1	
13	6H4-44173-01-00	LEVER, SHIFT CONTROL	1	
14	91690-30020-00	PIN, SPRING	1	
15	6H1-81950-00-00	RELAY ASSY	1	
16	90105-06M15-00	BOLT, FLANGE	2	
17	90105-06M16-00	BOLT, FLANGE	1	
18	61A-81949-00-00	WIRE, LEAD	1	
19	6H5-81949-00-00	WIRE, LEAD	1	
20	90387-06M05-00	COLLAR	3	
21	6H4-81945-20-00	PLATE, SWITCH FITTING	1	
22	682-82119-01-00	COVER, LEAD WIRE	4	
23	6H1-82563-00-00	TRIM & TILT SWITCH ASSEMBLY	1	
24	6E5-82587-00-00	GASKET	1	
25	6E5-83614-01-00	BRACKET	1	
26	97395-06016-00	BOLT	2	
27	97095-06025-00	BOLT	2	
28	92990-06600-00	WASHER, PLATE	2	
29	90480-13M24-00	GROMMET	3	

CONTENTS

BOTTOM COWLING	B4-5
BRACKET 1	B6-8
BRACKET 2	B9
CARBURETOR	A6-7
CONTROL	C6-7
CRANKSHAFT - PISTON	A4
CYLINDER - CRANKCASE	A2-3
ELECTRICAL 1	D8
ELECTRICAL 2	D9
ELECTRICAL 3	E1
FUEL	B1-2
INTAKE	A5
LOWER CASING - DRIVE 1	C9, D1-2
LOWER CASING - DRIVE 2	D3-4
MAGNETO	D5
OIL PUMP	A8-9
POWER TRIM & TILT ASSEMBLY 1	C1-3
REPAIR KIT 1	E2-3
REPAIR KIT 2	E4
STARTING MOTOR	D6-7
STEERING	C4-5
TOP COWLING	B3
UPPER CASING	C8

ELECTRICAL 3



Ref. No.	Part Number	Description	Qty	Remarks
1	6H5-82586-02-00	EXTENSION, WIRE HARNESS .	1	
2	6H5-82574-00-00	SWITCH, CHOKE	1	
3	6H5-82510-00-00	MAIN SWITCH ASSY	1	
4	6H5-83553-11-00	WIRE, LEAD	1	
5	688-83383-11-00	.BUZZER	1	
6	6H5-83386-00-00	STAY, BUZZER	1	
7	97313-05010-00	BOLT, HEXAGON	2	
8	92990-05100-00	WASHER, SPRING	2	
9	95380-05600-00	.NUT	2	
10	688-82575-01-00	.ENGINE STOP SWITCH ASSY	1	
11	682-82556-00-00	...STOPPER	1	
12	97095-06030-00	BOLT	1	
13	92995-06100-00	WASHER, SPRING	1	
14	697-8252F-00-EK	COVER, MAIN SWITCH	1	
15	697-8252E-00-EK	COVER, MAIN SWITCH	1	
16	98580-06025-00	SCREW, PAN HEAD	1	
17	92995-06100-00	WASHER, SPRING	1	
18	97095-06020-00	BOLT	1	
19	92995-06100-00	WASHER, SPRING	1	
20	97095-06012-00	BOLT	1	
21	703-82119-00-00	COVER, LEAD WIRE	1	

CONTENTS	
BOTTOM COWLING	B4-5
BRACKET 1	B6-8
BRACKET 2	B9
CARBURETOR	A6-7
CONTROL	C6-7
CRANKSHAFT - PISTON	A4
CYLINDER - CRANKCASE	A2-3
ELECTRICAL 1	D8
ELECTRICAL 2	D9
ELECTRICAL 3	E1
FUEL	B1-2
INTAKE	A5
LOWER CASING - DRIVE 1	C9, D1-2
LOWER CASING - DRIVE 2	D3-4
MAGNETO	D5
OIL PUMP	A8-9
POWER TRIM & TILT ASSEMBLY 1	C1-3
REPAIR KIT 1	E2-3
REPAIR KIT 2	E4
STARTING MOTOR	D6-7
STEERING	C4-5
TOP COWLING	B3
UPPER CASING	C8

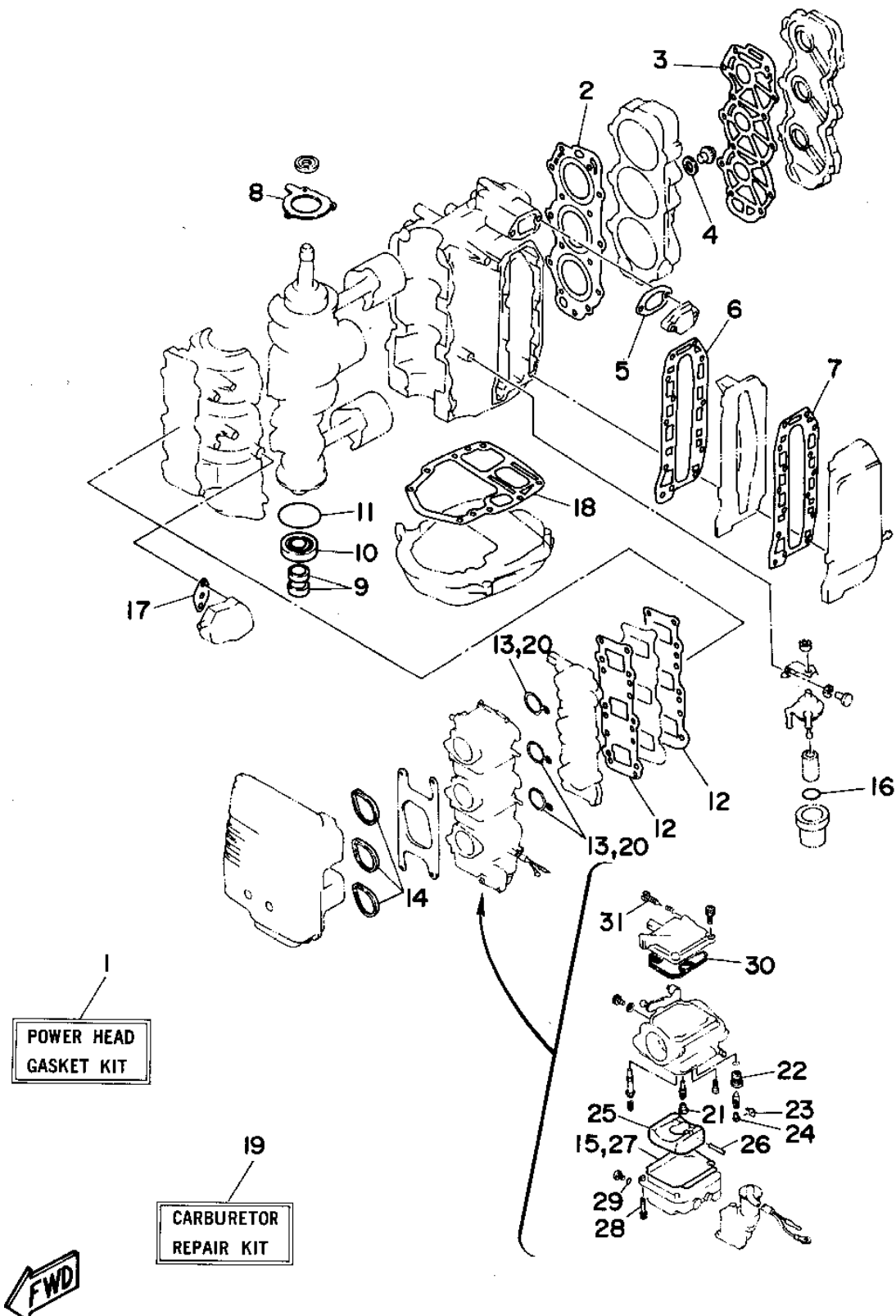


REPAIR KIT 1

Ref. No.	Part Number	Description	Qty	Remarks
1	6H4-W0001-04-00	POWER HEAD GASKET KIT	1	
2	6H4-11181-A0-00	. GASKET, CYLINDER HEAD 1	1	
3	6H4-11193-A1-00	. GASKET, HEAD COVER 1	1	
4	90430-14115-00	. GASKET	1	
5	6J8-12414-A0-00	. GASKET, COVER	1	
6	6H4-41112-A0-00	. GASKET, EXHAUST INNER COVER	1	
7	6H4-41114-A0-00	. GASKET, EXHAUST OUTER COVER	1	
8	6H4-15369-A1-00	. GASKET, OIL SEAL HOUSING	1	
9	93101-16M36-00	. OIL SEAL	2	
10	93102-25M28-00	. OIL SEAL	1	
11	93210-57M09-00	. O-RING	1	
12	6H4-13621-A1-00	. GASKET, VALVE SEAT	2	
13	6H4-14198-01-00	. GASKET	3	
14	6H3-14457-01-00	. SEAL	3	
15	6H4-14984-00-00	. GASKET, FLOAT CHAMBER	3	
16	93210-32738-00	. O-RING	1	
17	650-24431-A0-00	. GASKET, FUEL PUMP 1	1	
18	6H4-45113-A0-00	. GASKET, UPPER CASING	1	
19	6H4-W0093-03-00	CARBURETOR REPAIR KIT	1	
20	6H4-14198-01-00	. GASKET	3	
21	676-14966-00-00	. CAP	3	
22	6H4-14590-00-00	. NEEDLE VALVE ASSY	3	
23	663-14159-00-00	. CLIP	3	
24	676-14186-00-00	. PIN, FLOAT	3	
25	6H4-14985-01-00	. FLOAT	3	
26	6H4-14548-00-00	. PIN, FLOAT ARM	3	
27	6H4-14984-00-00	. GASKET, FLOAT CHAMBER	3	
28	97980-04114-00	. SCREW, WITH WASHER	3	
29	93210-04230-00	. O-RING	3	

CONTENTS

BOTTOM COWLING	B4-5
BRACKET 1	B6-8
BRACKET 2	B9
CARBURETOR CONTROL	A6-7
CRANKSHAFT - PISTON	C6-7
CYLINDER - CRANKCASE	A4
ELECTRICAL 1	A2-3
ELECTRICAL 2	D8
ELECTRICAL 3	D9
FUEL INTAKE	E1
LOWER CASING - DRIVE 1	B1-2
LOWER CASING - DRIVE 2	A5
MAGNETO	C9, D1-2
OIL PUMP	D3-4
POWER TRIM & TILT ASSEMBLY 1	D5
REPAIR KIT 1	A8-9
REPAIR KIT 2	C1-3
STARTING MOTOR	E2-3
STEERING	E4
TOP COWLING	D6-7
UPPER CASING	C4-5
	B3
	C8



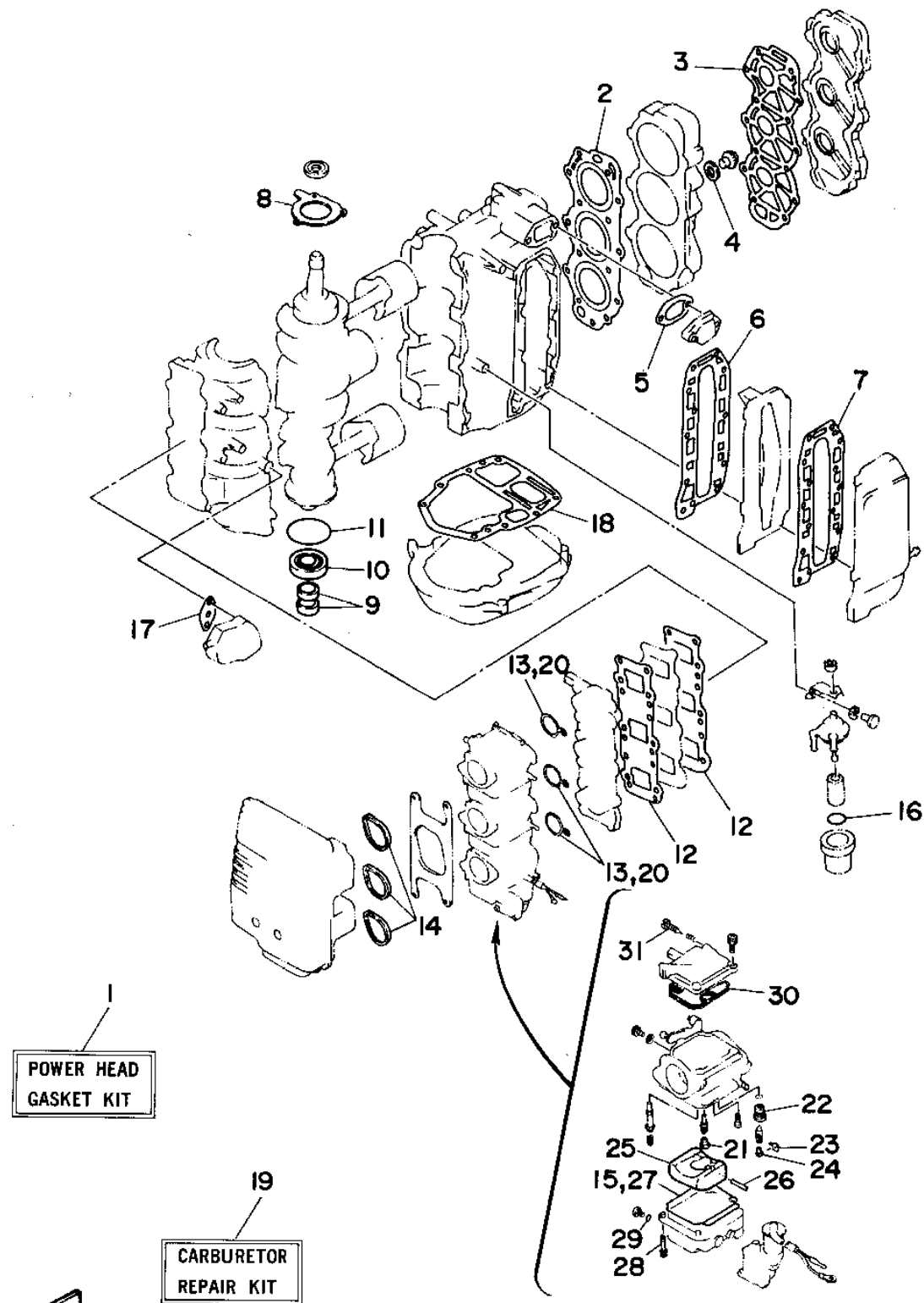
CONTINUED ON NEXT FRAME >

REPAIR KIT 1

Ref. No.	Part Number	Description	Qty	Remarks
30	6H4-14147-00-00	. O-RING	3	
31	692-14923-00-00	. SCREW, PILOT	3	

CONTENTS

BOTTOM COWLING	B4-5
BRACKET 1	B6-8
BRACKET 2	B9
CARBURETOR	A6-7
CONTROL	C6-7
CRANKSHAFT - PISTON	A4
CYLINDER - CRANKCASE	A2-3
ELECTRICAL 1	D8
ELECTRICAL 2	D9
ELECTRICAL 3	E1
FUEL	B1-2
INTAKE	A5
LOWER CASING - DRIVE 1	C9, D1-2
LOWER CASING - DRIVE 2	D3-4
MAGNETO	D5
OIL PUMP	A8-9
POWER TRIM & TILT ASSEMBLY 1	C1-3
REPAIR KIT 1	E2-3
REPAIR KIT 2	E4
STARTING MOTOR	D6-7
STEERING	C4-5
TOP COWLING	B3
UPPER CASING	C8

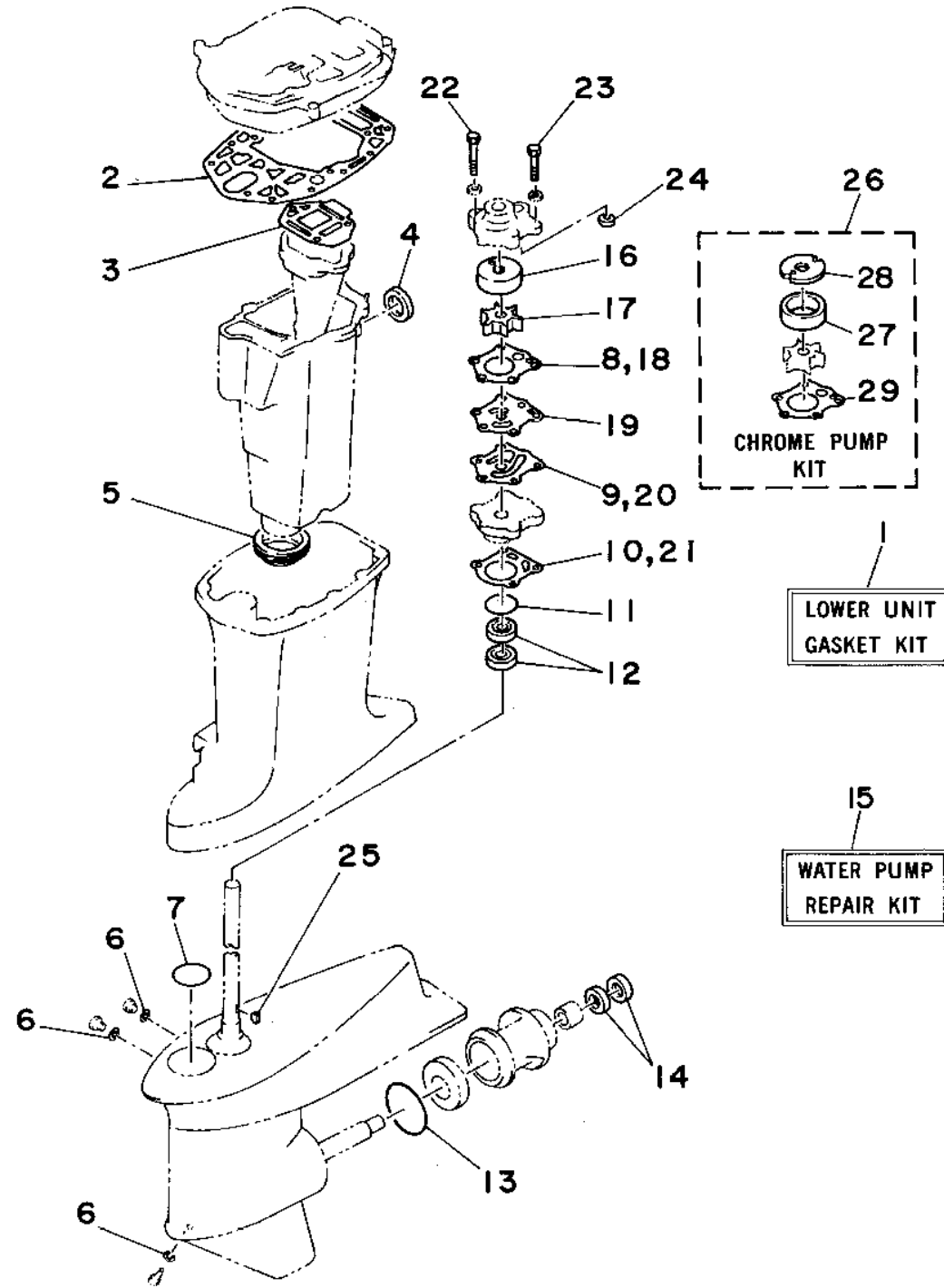


REPAIR KIT 2

Ref. No.	Part Number	Description	Qty	Remarks
1	6H4-W0001-21-00	LOWER UNIT GASKET KIT ...	1	
2	6H4-45114-A1-00	. GASKET, UPPER CASING ...	1	
3	6H4-41134-A0-00	. GASKET, EXHAUST MANIFOLD	1	
4	6H4-41133-00-00	. GASKET, EXHAUST MANIFOLD 1	1	
5	663-45123-00-00	. GASKET, MUFFLER	1	
6	90430-08020-00	. GASKET	3	
7	93210-49046-00	. O-RING	1	
8	663-44315-A0-00	. GASKET, WATER PUMP	1	
9	663-44324-A0-00	. GASKET, CARTRIDGE	1	
10	663-44316-A0-00	. GASKET, WATER PUMP	1	
11	93210-41042-00	. O-RING	1	
12	93101-23070-00	. OIL SEAL	2	
13	93210-66M98-00	. O-RING	1	
14	93101-22067-00	. OIL SEAL	2	
15	6H4-W0078-01-00	WATER PUMP REPAIR KIT ...	1	
16	663-44322-00-00	. INSERT, CARTRIDGE	1	
17	6H4-44352-02-00	. IMPELLER	1	
18	663-44315-A0-00	. GASKET, WATER PUMP	1	
19	663-44323-00-00	. OUTER PLATE, CARTRIDGE .	1	
20	663-44324-A0-00	. GASKET, CARTRIDGE	1	
21	663-44316-A0-00	. GASKET, WATER PUMP	1	
22	97395-08055-00	. BOLT	2	
23	97395-08045-00	. BOLT	2	
24	663-44366-00-00	. DAMPER, WATER SEAL	1	
25	90280-03024-00	. KEY, WOODRUFF	1	
26	6H4-W0078-0A-00	CHROME PUMP KIT	1	
27	670-44322-01-00	. INSERT, CARTRIDGE	1	
28	670-44321-00-00	. INNER PLATE, CARTRIDGE .	1	
29	670-44323-00-00	. OUTER PLATE, CARTRIDGE .	1	

CONTENTS

BOTTOM COWLING	B4-5
BRACKET 1	B6-8
BRACKET 2	B9
CARBURETOR	A6-7
CONTROL	C6-7
CRANKSHAFT - PISTON	A4
CYLINDER - CRANKCASE	A2-3
ELECTRICAL 1	D8
ELECTRICAL 2	D9
ELECTRICAL 3	E1
FUEL INTAKE	B1-2
LOWER CASING - DRIVE 1	C9, D1-2
LOWER CASING - DRIVE 2	D3-4
MAGNETO	D5
OIL PUMP	A8-9
POWER TRIM & TILT ASSEMBLY 1	C1-3
REPAIR KIT 1	E2-3
REPAIR KIT 2	E4
STARTING MOTOR	D6-7
STEERING	C4-5
TOP COWLING	B3
UPPER CASING	C8



FWD