

PARTS CATALOGUE

MODEL YEAR

SX225TXRB (65J2)

SX225TURB (65J2)

SX250TXRB (65L2)

SX250TURB (65L2)

LX225TXRB (65K2)

LX250TXRB (65M2)

Engine Serial No. TBA and following
 Engine Serial No. TBA and following
 Engine Serial No. TBA and following
 Engine Serial No. TBA and following
 Engine Serial No. TBA and following
 Engine Serial No. TBA and following

Color Code	Color Name	Abbreviation
	SEE TECHNICAL BULLETIN O2001-004	

OWNERS LIT-18626-05-01

SERVICE LIT-18616-02-02

CONTENTS

BOTTOM COWLING	D5-7
BRACKET 1	E2-3
BRACKET 2	E4-5
CONTROL	D8-9,E1
CRANKSHAFT PISTON	A9 ,B1
CYLINDER CRANKCASE 1	A7-8
CYLINDER CRANKCASE 2	B2
ELECTRICAL 1	C7
ELECTRICAL 2	C8-9
ELECTRICAL 3	D1-2
ELECTRICAL 4	D3
FUEL 1	C2-4
FUEL 2	C5
FUEL INJECTION NOZZLE	B5-6
FUEL INJECTION PUMP	B3-4
GENERATOR	C6
INTAKE	B7
LOWER CASING DRIVE 1 SX	F3-6
LOWER CASING DRIVE 2 SX	F7
LOWER CASING DRIVE 3 LX	F8-9,G1-2
LOWER CASING DRIVE 4 LX	G3
METER	A4
OIL PUMP	B8
OIL TANK	B9 ,C1
POWER TRIM & TILT ASSY	E6-9
REMOTE CONTROL ASSY 1	G7-9
REMOTE CONTROL ASSY 2	A1-3
REMOTE CONTROL BOX	G6
REPAIR KIT 1	A6
REPAIR KIT 2	A7
STARTING MOTOR	D4
STEERING GUIDE	
ATTACHMENT 1	G4
STEERING GUIDE	
ATTACHMENT 2	G5
SWITCH PANEL	A5
TOP COWLING	A5-6
UPPER CASING	F1-2
-MODELS IN THIS CATALOG	A8

CONTENTS

BOTTOM COWLING	D5-7
BRACKET 1	E2-3
BRACKET 2	E4-5
CONTROL	D8-9,E1
CRANKSHAFT PISTON	A9 ,B1
CYLINDER CRANKCASE 1	A7-8
CYLINDER CRANKCASE 2	B2
ELECTRICAL 1	C7
ELECTRICAL 2	C8-9
ELECTRICAL 3	D1-2
ELECTRICAL 4	D3
FUEL 1	C2-4
FUEL 2	C5
FUEL INJECTION NOZZLE	B5-6
FUEL INJECTION PUMP	B3-4
GENERATOR	C6
INTAKE	B7
LOWER CASING DRIVE 1 SX	F3-6
LOWER CASING DRIVE 2 SX	F7
LOWER CASING DRIVE 3 LX	F8-9,G1-2
LOWER CASING DRIVE 4 LX	G3
METER	A4
OIL PUMP	B8
OIL TANK	B9 ,C1
POWER TRIM & TILT ASSY	E6-9
REMOTE CONTROL ASSY 1	G7-9
REMOTE CONTROL ASSY 2	A1-3
REMOTE CONTROL BOX	G6
REPAIR KIT 1	A6
REPAIR KIT 2	A7
STARTING MOTOR	D4
STEERING GUIDE	
ATTACHMENT 1	G4
STEERING GUIDE	
ATTACHMENT 2	G5
SWITCH PANEL	A5
TOP COWLING	A5-6
UPPER CASING	F1-2
-MODELS IN THIS CATALOG	A8

FOREWORD

-INTRODUCTION- To The Yamaha Parts Fiche

This parts fiche lists parts and sub-assemblies for the SX225_250TXRB, SX225_250TURB and LX225_250TXRB. When preparing a parts order, please refer to the most recently updated microfiche for this model.

THE YAMAHA PARTS FICHE

SYMBOLS

[]	Inactive, no longer available
UR	Use size (thickness) and/or number as required
U.N.	Use as many as you need
T	Number of teeth in a gear
V	Voltage for light bulbs
S	"S" type oil seal or "S" type circlip
SD,SO,SW	"SD", "SO", or "SW" type oil seal
E,R	"E" or "R" type circlip
F/No.	Frame No. (Applicable Machine No.)
L.M.	Locally made
O.L.	Obtain locally
AP	Alternate Part

SUPERSEDED PART NUMBERS

If part 'A' has been superseded by part 'B', the superseding part number "B" will appear in the part number listing with the superseded part number "A" appearing in parentheses immediately following the description.

EXAMPLE:

Ref. No.	Part No.	Description	Qty.
	(Part 'B')	(Part 'A')	
8	6E5-45611-01-00	SHAFT, PROPELLER (6G8-45611-00)1	

A part that has been supersede to a kit may be identified by a 99999-00000-00 part number appearing in the part number column. The old superseded part number will appear in parentheses immediately following the description. Listed directly below the 99999 part number will be those parts making up the kit. The description of the parts making up the kit will be preceded by a small black dot (.) and the description will be indented one letter space.

EXAMPLE:

Ref. No.	Part No.	Description	Qty.
8	99999-12345-00	CYLINDER (6E5-W0090-10-00)1	
	6E5-11111-00-94	• HEAD, CYLINDER.....1	

SIZES

Except for steel balls (ball sizes are indicated in inches), all parts sizes are indicated in millimeters as in the following examples:

Hose (Rubber or Vinyl)	Inside Diameter - Length
O-Ring	Section Area - Inside Diameter
Washer, Shim, Collar.....	Inside Diameter - Outside Diameter Thickness (Length)

ASSEMBLIES AND COMPONENT PARTS

Assemblies and their component parts, are identified by an indentation of one letter space, and the description is preceded by a dot (.). If two main assemblies are listed, and have the same basic description (i.e.: left and right sides of the same assembly), one will immediately follow the other. If each of these main assemblies is made up of almost the same components, these component parts will be listed immediately under the second main assembly line and will be indicated, as noted above.

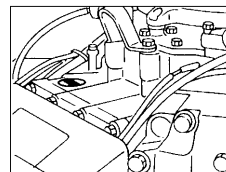
If the component is the same for both main assemblies, the quantity indicated will be the total required. If the component is not the same for both main assemblies, the quantity for each separate item will be listed separately.

EXAMPLE:

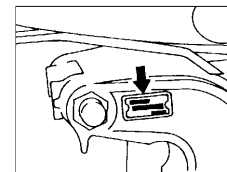
Description	Qty
CARBURETOR ASSY, LEFT	1
CARBURETOR ASSY, RIGHT	1
. JET, PILOT	2
. NOZZLE, MAIN	2
. LEVER, STARTER, LEFT	1
. LEVER, STARTER, RIGHT	1

APPLICABLE SERIAL NO.

(1) Engine Serial No.



(2) Primary Identification No.

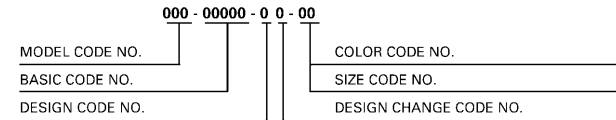


FOREWORD

THE YAMAHA PART NUMBER

The Yamaha part number consists of 12 digits. Each number represents a specific piece of information relating to a replacement part. The following is a guide for reading and interpreting the Yamaha part number.

BASIC PART NUMBER CONFIGURATION:



MODEL CODE NUMBER

FIRST THREE DIGITS . . . 000-00000-00-00

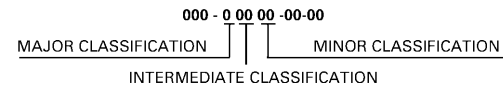
Every model in each Yamaha product line is assigned a model number to identify that particular model. All component parts are given the model code number relating to the model on which they were first used.

Example: 6E5-00000-00-00 identifies the 115ETLN.
6G1-00000-00-00 identifies the 8SN.

BASIC CODE NUMBER

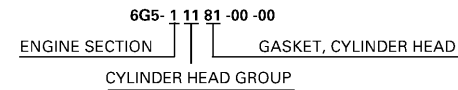
MIDDLE FIVE DIGITS . . . 000-00000-00-00

These "Middle Five Digits" indicate the type of part i.e., piston, rings, lower units, etc. The five digits are broken down as follows:



The "Major Classification" indicates the section to which the parts belong, i.e., engine, electrical etc. The "Intermediate" and "Minor Classifications" indicate more specific details.

Example:



DESIGN CODE NUMBER: 000-00000-00-00

The design code distinguishes like component parts from one another when specification differences are involved. For example, distinguishing a standard size piston ring from an oversized piston ring.

Example:

6E5-11610- 0 0-00 Standard Piston Ring Set for 115ETLN
6E5-11610- 2 0-00 Oversize Piston Ring Set for 115ETLN

DESIGN CHANGE CODE NUMBER: 000-00000-00-00

This code number is used to identify a difference between a new component part and old one when a new part is created by changing the old one.

Example: 115ETLN

6E5-11610-0 0-00 PISTON RING SET, STD. - ORIGINAL
6E5-11610-1 0-00 PISTON RING SET, STD. - FIRST DESIGN CHANGE

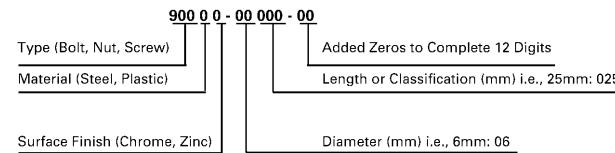
Only major changes to performance, durability, quality, appearance, cost or interchangeability will affect a part number change.

COLOR CODE & SIZE CODE NUMBER: 000-00000-00-00

When applicable, the last two digits of the part number identify:

1. Color Code: The painted color or type of plating or surface treatment used on certain parts.
2. Size Code: The last two digits are also used to show the size of parts (mm). Such as the thickness of shims or the size of pistons.

HARDWARE (Fastener) PART NUMBER CONFIGURATION:



TYPE:

A fastener part number always begins with the number "9" followed by either a 0, 1, 2, 3, 4, 5, 6, 7 or 8 designating one of eight major divisions within this group.

CONTENTS

BOTTOM COWLING	D5-7
BRACKET 1	E2-3
BRACKET 2	E4-5
CONTROL	D8-9,E1
CRANKSHAFT PISTON	A9 ,B1
CYLINDER CRANKCASE 1	A7-8
CYLINDER CRANKCASE 2	B2
ELECTRICAL 1	C7
ELECTRICAL 2	C8-9
ELECTRICAL 3	D1-2
ELECTRICAL 4	D3
FUEL 1	C2-4
FUEL 2	C5
FUEL INJECTION NOZZLE	B5-6
FUEL INJECTION PUMP	B3-4
GENERATOR	C6
INTAKE	B7
LOWER CASING DRIVE 1 SX	F3-6
LOWER CASING DRIVE 2 SX	F7
LOWER CASING DRIVE 3 LX	F8-9,G1-2
LOWER CASING DRIVE 4 LX	G3
METER	A4
OIL PUMP	B8
OIL TANK	B9 ,C1
POWER TRIM & TILT ASSY	E6-9
REMOTE CONTROL ASSY 1	G7-9
REMOTE CONTROL ASSY 2	A1-3
REMOTE CONTROL BOX	G6
REPAIR KIT 1	A6
REPAIR KIT 2	A7
STARTING MOTOR	D4
STEERING GUIDE	
ATTACHMENT 1	G4
STEERING GUIDE	
ATTACHMENT 2	G5
SWITCH PANEL	A5
TOP COWLING	A5-6
UPPER CASING	F1-2
-MODELS IN THIS CATALOG	A8

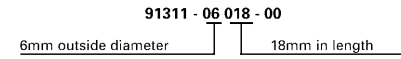
FOREWORD

Example:

- 9 0 000-00000-00 "0" designates various types.
- 9 1 000-00000-00 "1" designates bolts, cotter pins, etc.
- 9 2 000-00000-00 "2" designates screw, nuts, etc.
- 9 3 000-00000-00 "3" designates oil seals, o-rings, bearings, etc.
- 9 4 000-00000-00 "4" designates spark plugs.
- 9 5 000-00000-00 "5" designates bolts and nuts.
- 9 7 000-00000-00 "7" designates ISO bolts.
- 9 8 000-00000-00 "8" designates ISO screws and nuts.

The only major divisions which the mechanic should become familiar with are those related to the general hardware (nuts, bolts, and washers), since these are the most commonly used and most often replaced items. By knowing how to interpret the part number, the dimensions of a piece of hardware can be determined. This can be very helpful during major engine repair, and general parts replacement.

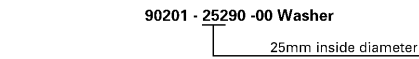
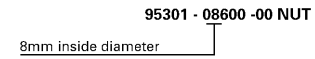
BOLT EXAMPLE:



EXCEPTION:

It is NOT possible to identify the LENGTH of bolts having a 901 prefix. Only the bolt diameter can be identified with this number.

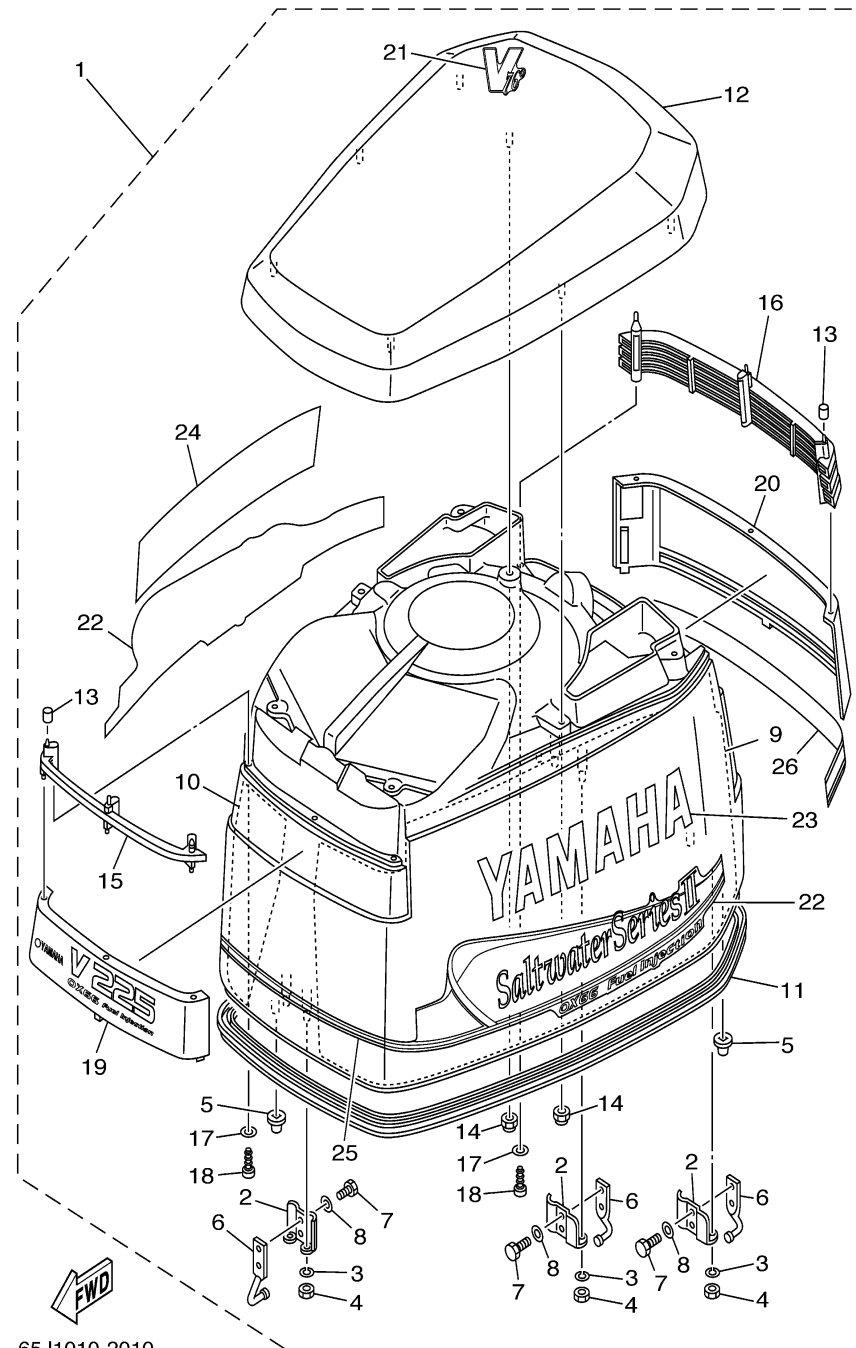
NUT AND WASHER EXAMPLE:



CONTENTS

BOTTOM COWLING	D5-7
BRACKET 1	E2-3
BRACKET 2	E4-5
CONTROL	D8-9,E1
CRANKSHAFT PISTON	A9 ,B1
CYLINDER CRANKCASE 1	A7-8
CYLINDER CRANKCASE 2	B2
ELECTRICAL 1	C7
ELECTRICAL 2	C8-9
ELECTRICAL 3	D1-2
ELECTRICAL 4	D3
FUEL 1	C2-4
FUEL 2	C5
FUEL INJECTION NOZZLE	B5-6
FUEL INJECTION PUMP	B3-4
GENERATOR	C6
INTAKE	B7
LOWER CASING DRIVE 1 SX	F3-6
LOWER CASING DRIVE 2 SX	F7
LOWER CASING DRIVE 3 LX	F8-9,G1-2
LOWER CASING DRIVE 4 LX	G3
METER	A4
OIL PUMP	B8
OIL TANK	B9 ,C1
POWER TRIM & TILT ASSY	E6-9
REMOTE CONTROL ASSY 1	G7-9
REMOTE CONTROL ASSY 2	A1-3
REMOTE CONTROL BOX	G6
REPAIR KIT 1	A6
REPAIR KIT 2	A7
STARTING MOTOR	D4
STEERING GUIDE	
ATTACHMENT 1	G4
STEERING GUIDE	
ATTACHMENT 2	G5
SWITCH PANEL	A5
TOP COWLING	A5-6
UPPER CASING	F1-2
-MODELS IN THIS CATALOG	A8

TOP COWLING



65J1010-2010

Ref. No.	Part Number	Description	Qty	Remarks
1	65J-42610-00-4D	TOP COWLING ASSY	1	UR SX225, LX225
	65L-42610-00-4D	TOP COWLING ASSY	1	UR SX250, LX250
2	6R3-42647-00-00	. .HOLDER, CLAMP BAND	3	
3	92990-06100-00	. WASHER, SPRING	6	
4	95380-06600-00	. NUT, HEXAGON	6	
5	6R3-42662-00-00	. .DAMPER	3	
6	6R3-42814-00-00	. .HOOK, CLAMP	3	
7	97095-06012-00	. BOLT	6	
8	92995-06600-00	. WASHER	6	
9	61A-42619-02-00	. .DAMPER, FORM	1	
10	61A-42627-02-00	. .DAMPER, FORM	1	
11	61A-42615-01-00	. .SEAL	1	
12	61A-42613-01-4D	. .MOLDING, AIR DUCT	1	
13	90385-04M05-00	. .BUSH	6	
14	90179-06M24-00	. NUT	7	
15	61A-42626-00-00	. .LOUVER, 1	1	
16	61A-42636-00-00	. .LOUVER 2	1	
17	92990-04600-00	. WASHER, PLATE	6	
18	97780-40520-00	. .SCREW, TAPPING	6	
19	65J-42686-00-00	. EMBLEM, FRONT	1	UR SX225, LX225
	65L-42686-00-00	. EMBLEM, FRONT	1	UR SX250, LX250
20	65L-42687-V0-00	. EMBLEM, REAR	1	UR SX250, LX250
	65J-42687-V0-00	. EMBLEM, REAR	1	UR SX225, LX225
21	65L-42683-S0-00	. MARK, COWLING	1	UR SX250, LX250
	65J-42683-S0-00	. MARK, COWLING	1	UR SX225, LX225
22	65L-W0070-V0-00	. .GRAPHIC SET	1	
23	61A-42681-S1-00	. MARK, COWLING	1	UR SX250, LX250
	62J-42681-S1-00	. MARK, COWLING	1	UR SX225, LX225
24	61A-42682-S1-00	. MARK, COWLING	1	UR SX250, LX250
	62J-42682-S1-00	. MARK, COWLING	1	UR SX225, LX225

CONTENTS

BOTTOM COWLING	D5-7
BRACKET 1	E2-3
BRACKET 2	E4-5
CONTROL	D8-9,E1
CRANKSHAFT PISTON	A9 ,B1
CYLINDER CRANKCASE 1	A7-8
CYLINDER CRANKCASE 2	B2
ELECTRICAL 1	C7
ELECTRICAL 2	C8-9
ELECTRICAL 3	D1-2
ELECTRICAL 4	D3
FUEL 1	C2-4
FUEL 2	C5
FUEL INJECTION NOZZLE	B5-6
FUEL INJECTION PUMP	B3-4
GENERATOR	C6
INTAKE	B7
LOWER CASING DRIVE 1 SX	F3-6
LOWER CASING DRIVE 2 SX	F7
LOWER CASING DRIVE 3 LX	F8-9,G1-2
LOWER CASING DRIVE 4 LX	G3
METER	A4
OIL PUMP	B8
OIL TANK	B9 ,C1
POWER TRIM & TILT ASSY	E6-9
REMOTE CONTROL ASSY 1	G7-9
REMOTE CONTROL ASSY 2	A1-3
REMOTE CONTROL BOX	G6
REPAIR KIT 1	A6
REPAIR KIT 2	A7
STARTING MOTOR	D4
STEERING GUIDE	
ATTACHMENT 1	G4
STEERING GUIDE	
ATTACHMENT 2	G5
SWITCH PANEL	A5
TOP COWLING	A5-6
UPPER CASING	F1-2
-MODELS IN THIS CATALOG	A8

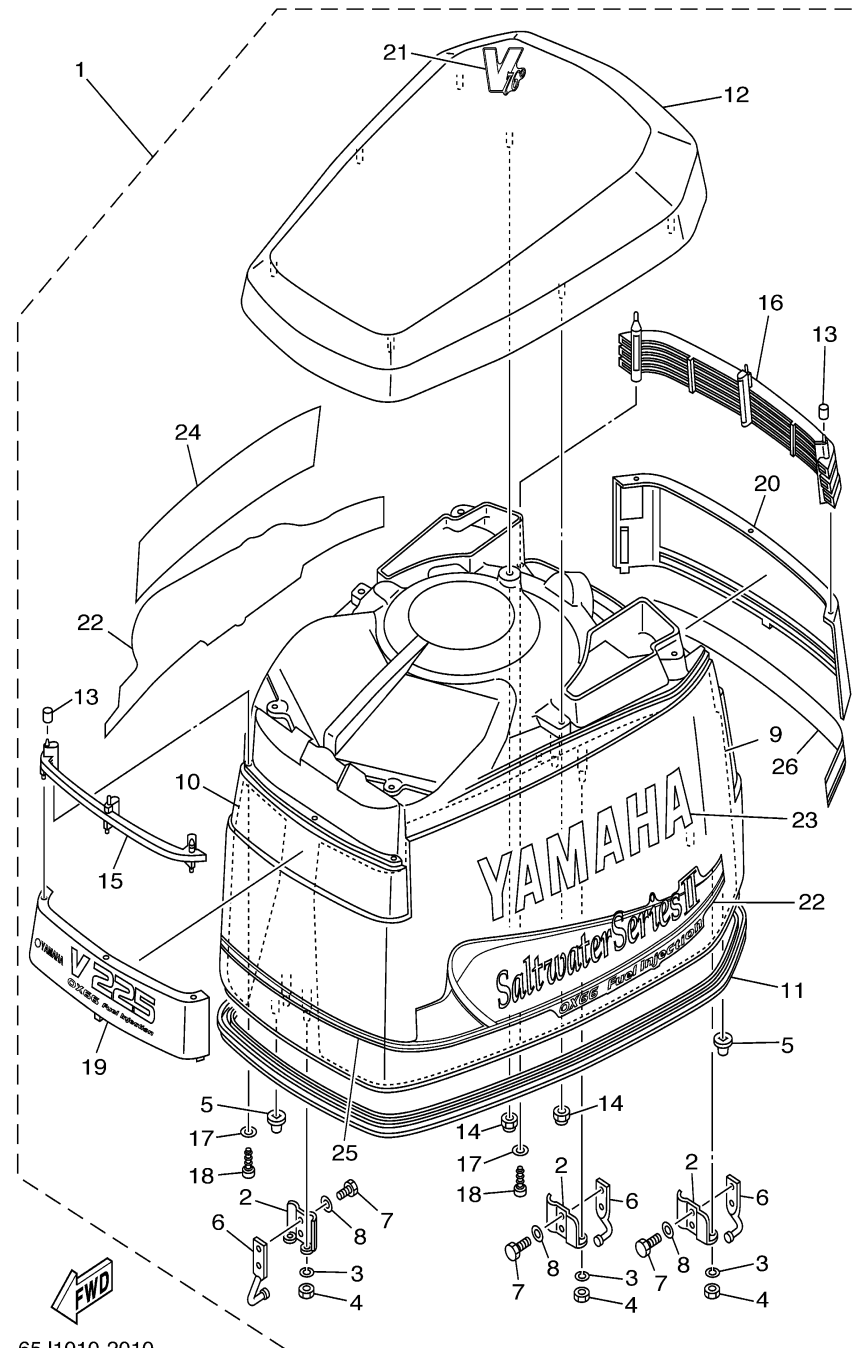
CONTINUED ON NEXT FRAME ►

TOP COWLING

Ref. No.	Part Number	Description	Qty	Remarks
25	61A-42677-S1-00	..GRAPHIC, FRONT	1	
26	61A-4267A-S1-00	..GRAPHIC, REAR 2	1	

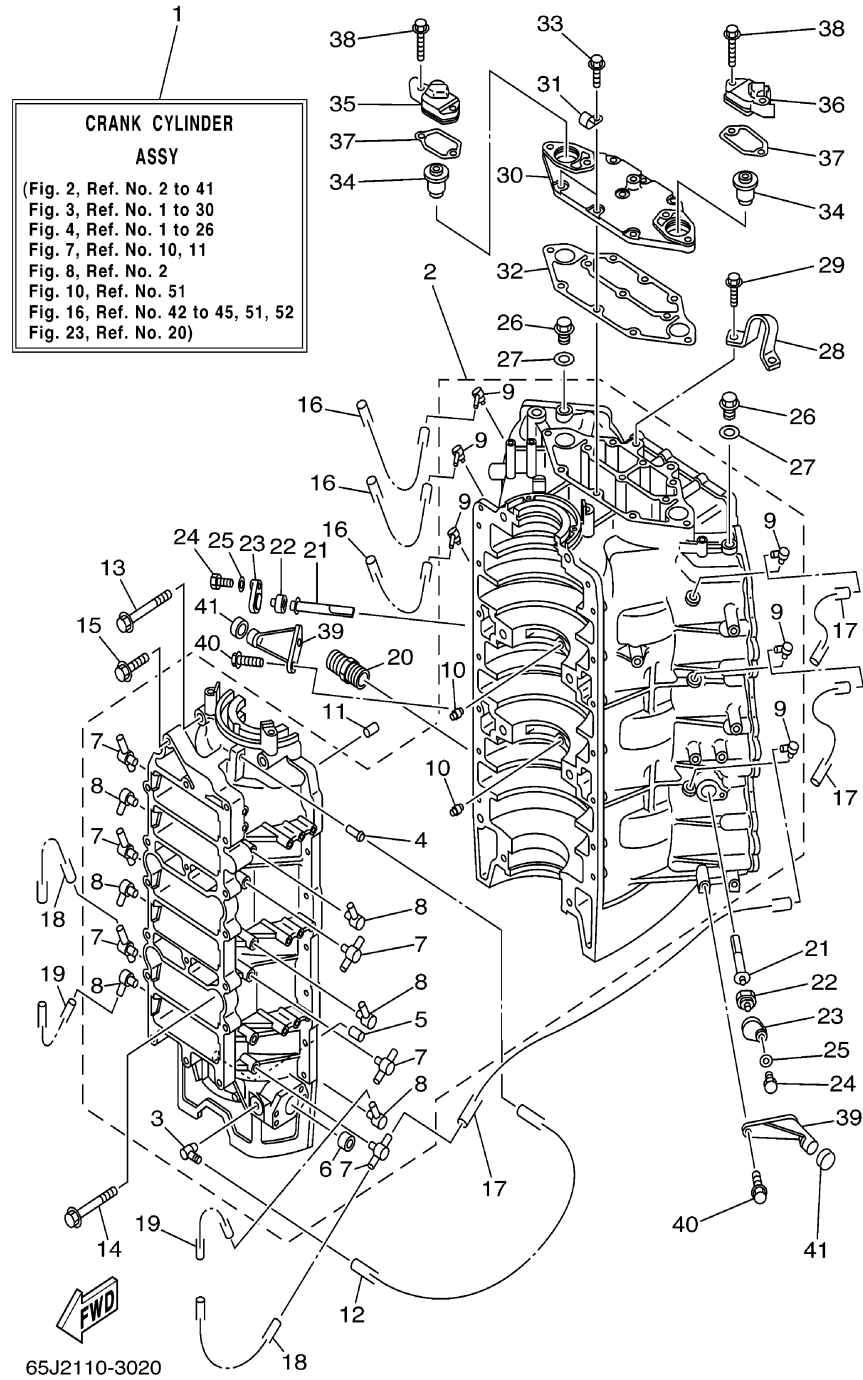
CONTENTS

BOTTOM COWLING	D5-7
BRACKET 1	E2-3
BRACKET 2	E4-5
CONTROL	D8-9,E1
CRANKSHAFT PISTON	A9 ,B1
CYLINDER CRANKCASE 1	A7-8
CYLINDER CRANKCASE 2	B2
ELECTRICAL 1	C7
ELECTRICAL 2	C8-9
ELECTRICAL 3	D1-2
ELECTRICAL 4	D3
FUEL 1	C2-4
FUEL 2	C5
FUEL INJECTION NOZZLE	B5-6
FUEL INJECTION PUMP	B3-4
GENERATOR	C6
INTAKE	B7
LOWER CASING DRIVE 1 SX	F3-6
LOWER CASING DRIVE 2 SX	F7
LOWER CASING DRIVE 3 LX	F8-9,G1-2
LOWER CASING DRIVE 4 LX	G3
METER	A4
OIL PUMP	B8
OIL TANK	B9 ,C1
POWER TRIM & TILT ASSY	E6-9
REMOTE CONTROL ASSY 1	G7-9
REMOTE CONTROL ASSY 2	A1-3
REMOTE CONTROL BOX	G6
REPAIR KIT 1	A6
REPAIR KIT 2	A7
STARTING MOTOR	D4
STEERING GUIDE	
ATTACHMENT 1	G4
STEERING GUIDE	
ATTACHMENT 2	G5
SWITCH PANEL	A5
TOP COWLING	A5-6
UPPER CASING	F1-2
-MODELS IN THIS CATALOG	A8



65J1010-2010

CYLINDER CRANKCASE 1



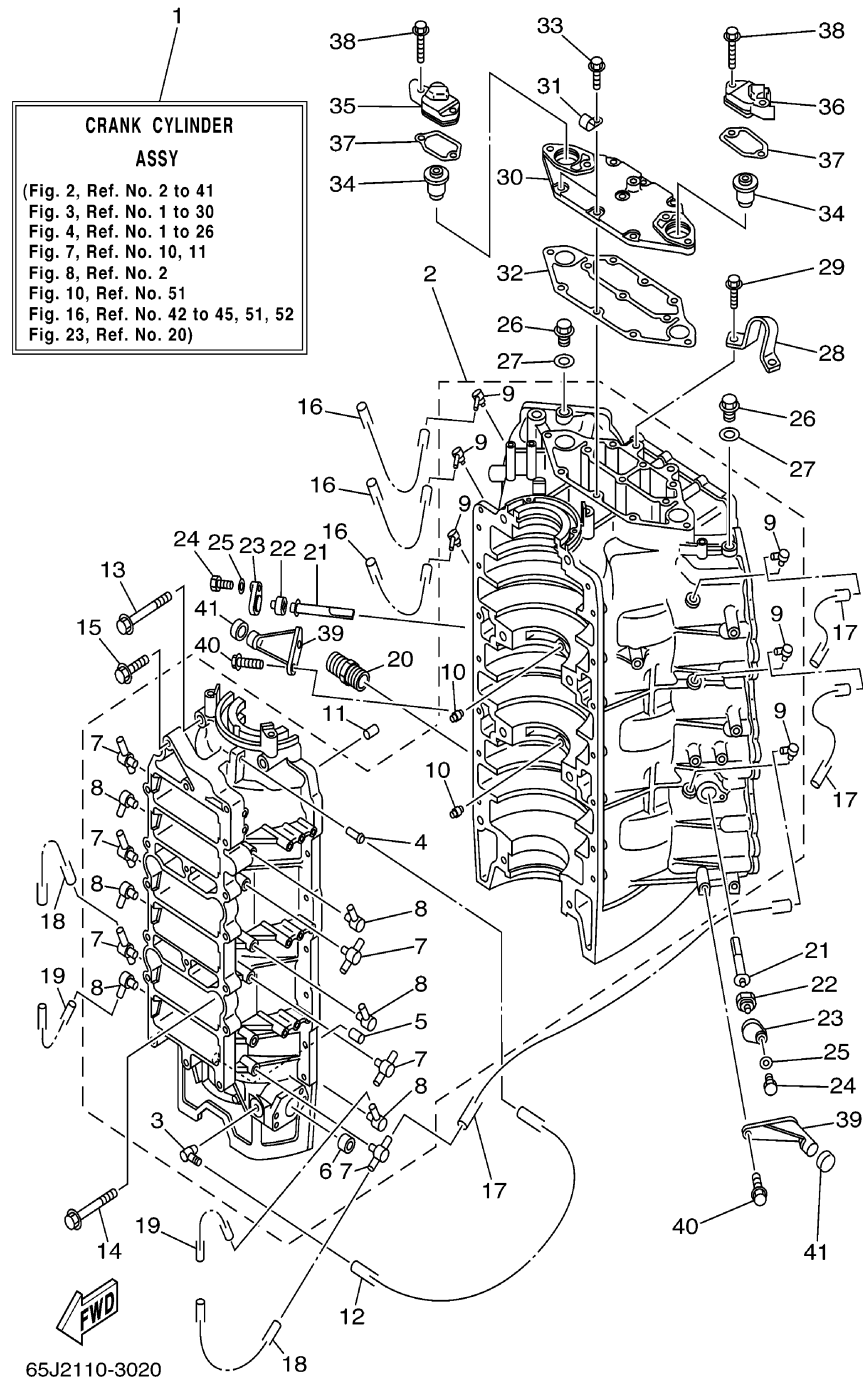
Ref. No.	Part Number	Description	Qty	Remarks
1	65J-W0090-13-1S	CRANK CYLINDER ASSY	1	UR SX225, LX225
	65L-W0090-13-1S	CRANK CYLINDER ASSY	1	UR SX250, LX250
2	65J-15100-02-1S	CRANKCASE ASSY	1	UR SX225, LX225
	65L-15100-02-1S	CRANKCASE ASSY	1	UR SX250, LX250
3	6E5-11372-01-00	.NIPPLE, HOSE	1	
4	624-14485-00-00	.PIPE, JOINT	1	
5	90384-06M07-00	.BUSH, BIMETAL FORMED	1	
6	90383-16M01-00	.BUSH, FORMED	1	
7	6F6-11372-00-00	.NIPPLE, HOSE	6	
8	650-11372-00-00	.NIPPLE, HOSE	6	
9	6E5-11372-01-00	.NIPPLE, HOSE	6	
10	663-11518-01-00	.LOCK, BEARING	2	
11	93608-12063-00	PIN, DOWEL	2	
12	90445-07M11-00	HOSE (L610)	1	
13	90105-10M62-00	BOLT, FLANGE	4	
14	90105-10M75-00	BOLT, FLANGE	4	
15	90119-06M13-00	BOLT, WITH WASHER	14	
16	90445-07M44-00	HOSE (L250)	3	
17	90445-07M40-00	HOSE (L225)	3	
18	90445-07MA6-00	HOSE (L90)	6	
19	90445-07MA6-00	HOSE (L90)	6	
20	6G5-12581-00-00	JOINT, HOSE 1	1	
21	61A-11325-00-00	ANODE	2	
22	6H3-11328-00-00	GROMMET, ANODE	2	
23	6H3-11327-00-1S	COVER, ANODE	2	
24	97013-06016-00	BOLT	2	
25	92903-06600-00	WASHER, PLATE	2	
26	90340-14M00-00	.PLUG, STRAIGHT SCREW	2	
27	90430-14115-00	.GASKET	2	
28	6E5-11119-01-00	HANGER, ENGINE	1	

CONTENTS

BOTTOM COWLING	D5-7
BRACKET 1	E2-3
BRACKET 2	E4-5
CONTROL	D8-9,E1
CRANKSHAFT PISTON	A9 ,B1
CYLINDER CRANKCASE 1	A7-8
CYLINDER CRANKCASE 2	B2
ELECTRICAL 1	C7
ELECTRICAL 2	C8-9
ELECTRICAL 3	D1-2
ELECTRICAL 4	D3
FUEL 1	C2-4
FUEL 2	C5
FUEL INJECTION NOZZLE	B5-6
FUEL INJECTION PUMP	B3-4
GENERATOR	C6
INTAKE	B7
LOWER CASING DRIVE 1 SX	F3-6
LOWER CASING DRIVE 2 SX	F7
LOWER CASING DRIVE 3 LX	F8-9,G1-2
LOWER CASING DRIVE 4 LX	G3
METER	A4
OIL PUMP	B8
OIL TANK	B9 ,C1
POWER TRIM & TILT ASSY	E6-9
REMOTE CONTROL ASSY 1	G7-9
REMOTE CONTROL ASSY 2	A1-3
REMOTE CONTROL BOX	G6
REPAIR KIT 1	A6
REPAIR KIT 2	A7
STARTING MOTOR	D4
STEERING GUIDE	
ATTACHMENT 1	G4
STEERING GUIDE	
ATTACHMENT 2	G5
SWITCH PANEL	A5
TOP COWLING	A5-6
UPPER CASING	F1-2
-MODELS IN THIS CATALOG	A8

CONTINUED ON NEXT FRAME ►

CYLINDER CRANKCASE 1



Ref. No.	Part Number	Description	Qty	Remarks
29	90119-08MA3-00	BOLT, WITH WASHER	2	
30	61A-11371-00-1S	COVER	1	
31	90465-06M86-00	CLAMP	2	
32	61A-11381-A0-00	.GASKET 1	1	
33	90119-06MA2-00	BOLT, WITH WASHER	7	
34	6E5-12411-30-00	THERMOSTAT	2	
35	61A-12413-00-1S	COVER, THERMOSTAT	1	
36	61A-12413-10-1S	COVER, THERMOSTAT	1	
37	61A-12414-A0-00	.GASKET, COVER	2	
38	90119-06MA5-00	BOLT, WITH WASHER	4	
39	6E5-42761-00-1S	STOPPER	2	
40	90119-06MA2-00	BOLT, WITH WASHER	4	
41	68F-44533-00-00	DAMPER, UPPER MOUNT	2	

CONTENTS

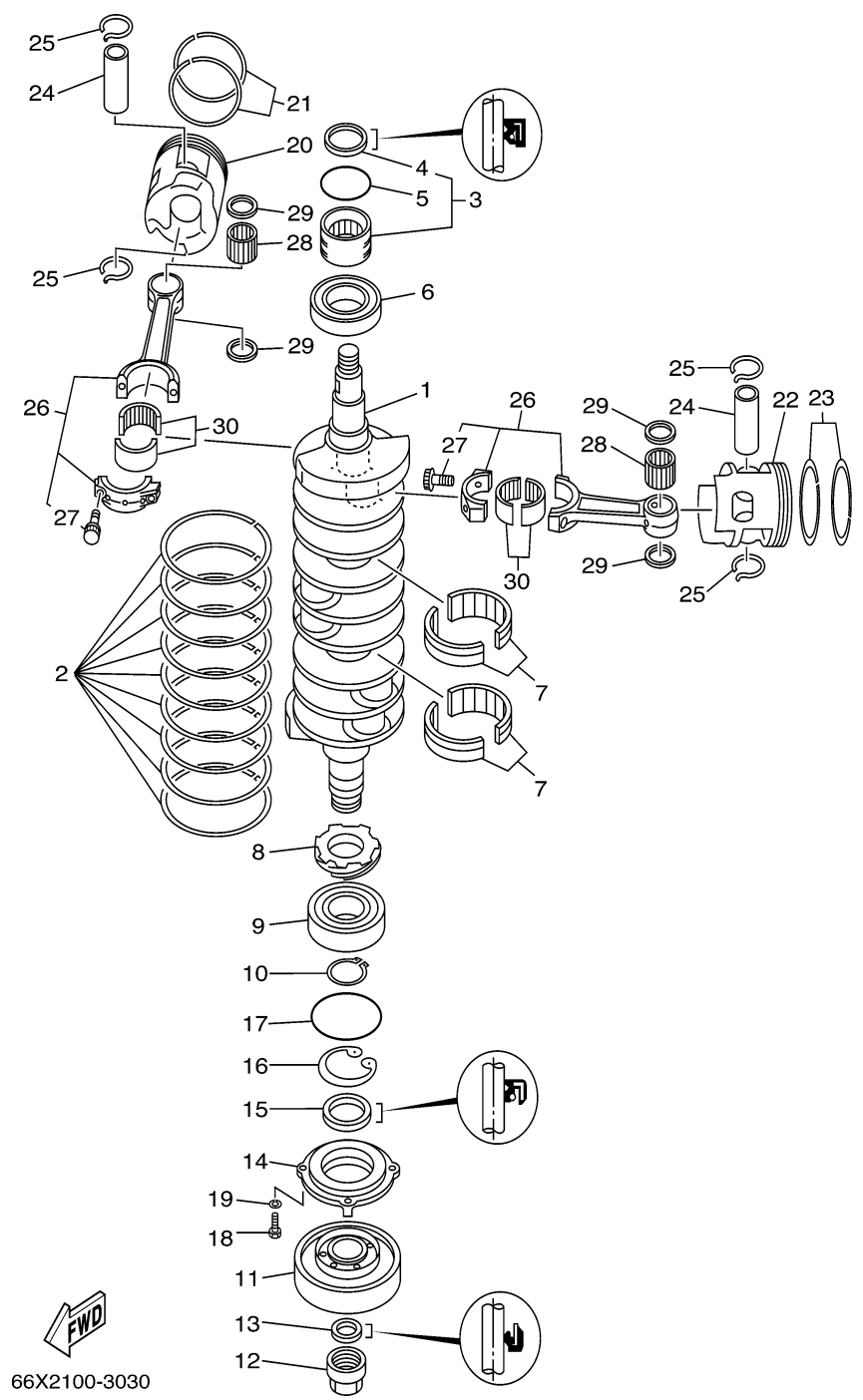
BOTTOM COWLING	D5-7
BRACKET 1	E2-3
BRACKET 2	E4-5
CONTROL	D8-9,E1
CRANKSHAFT PISTON	A9 ,B1
CYLINDER CRANKCASE 1	A7-8
CYLINDER CRANKCASE 2	B2
ELECTRICAL 1	C7
ELECTRICAL 2	C8-9
ELECTRICAL 3	D1-2
ELECTRICAL 4	D3
FUEL 1	C2-4
FUEL 2	C5
FUEL INJECTION NOZZLE	B5-6
FUEL INJECTION PUMP	B3-4
GENERATOR	C6
INTAKE	B7
LOWER CASING DRIVE 1 SX	F3-6
LOWER CASING DRIVE 2 SX	F7
LOWER CASING DRIVE 3 LX	F8-9,G1-2
LOWER CASING DRIVE 4 LX	G3
METER	A4
OIL PUMP	B8
OIL TANK	B9 ,C1
POWER TRIM & TILT ASSY	E6-9
REMOTE CONTROL ASSY 1	G7-9
REMOTE CONTROL ASSY 2	A1-3
REMOTE CONTROL BOX	G6
REPAIR KIT 1	A6
REPAIR KIT 2	A7
STARTING MOTOR	D4
STEERING GUIDE	
ATTACHMENT 1	G4
STEERING GUIDE	
ATTACHMENT 2	G5
SWITCH PANEL	A5
TOP COWLING	A5-6
UPPER CASING	F1-2
-MODELS IN THIS CATALOG	A8

CRANKSHAFT PISTON

Ref. No.	Part Number	Description	Qty	Remarks
1	61A-11411-00-00	CRANKSHAFT	1	
2	61A-11447-00-00	SEAL, CRANK	9	
3	93311-940V0-00	BEARING	1	
4	93102-40M38-00	.OIL SEAL	1	
5	93210-54M54-00	O-RING	1	
6	93306-209U1-00	BEARING	1	
7	93310-959U0-00	BEARING	2	
8	61A-11536-00-00	GEAR, DRIVE	1	
9	93306-308U0-00	BEARING	1	
10	93410-40M03-00	CIRCLIP	1	
11	61A-11586-01-00	PULLEY, CRANKSHAFT BALANCE	1	
12	61A-11555-01-00	NUT, CRANKSHAFT 1	1	
13	93104-22M07-00	.OIL SEAL	1	
14	61A-15359-00-94	HOUSING, OIL SEAL	1	
15	93102-40M36-00	.OIL SEAL	1	
16	93420-61M07-00	CIRCLIP	1	
17	93210-81MA6-00	.O-RING	1	
18	97095-06020-00	BOLT	4	
19	92995-06100-00	WASHER, SPRING	4	
20	69L-11631-00-85	PISTON (STD)	3	
	69L-11635-00-00	PISTON (0.25MM O/S)	3	AP
	69L-11636-00-00	PISTON (0.50MM O/S)	3	AP
21	64D-11603-01-00	PISTON RING SET (STD)	3	
	64D-11604-01-00	PISTON RING SET (0.25MM O/S)	3	AP
	64D-11605-01-00	PISTON RING SET (0.50MM O/S)	3	AP
22	69L-11642-00-85	PISTON 2 (STD)	3	
	69L-11645-00-00	PISTON 2 (0.25MM O/S)	3	AP
	69L-11646-00-00	PISTON 2 (0.50MM O/S)	3	AP

CONTENTS

BOTTOM COWLING	D5-7
BRACKET 1	E2-3
BRACKET 2	E4-5
CONTROL	D8-9,E1
CRANKSHAFT PISTON	A9 ,B1
CYLINDER CRANKCASE 1	A7-8
CYLINDER CRANKCASE 2	B2
ELECTRICAL 1	C7
ELECTRICAL 2	C8-9
ELECTRICAL 3	D1-2
ELECTRICAL 4	D3
FUEL 1	C2-4
FUEL 2	C5
FUEL INJECTION NOZZLE	B5-6
FUEL INJECTION PUMP	B3-4
GENERATOR	C6
INTAKE	B7
LOWER CASING DRIVE 1 SX	F3-6
LOWER CASING DRIVE 2 SX	F7
LOWER CASING DRIVE 3 LX	F8-9,G1-2
LOWER CASING DRIVE 4 LX	G3
METER	A4
OIL PUMP	B8
OIL TANK	B9 ,C1
POWER TRIM & TILT ASSY	E6-9
REMOTE CONTROL ASSY 1	G7-9
REMOTE CONTROL ASSY 2	A1-3
REMOTE CONTROL BOX	G6
REPAIR KIT 1	A6
REPAIR KIT 2	A7
STARTING MOTOR	D4
STEERING GUIDE	
ATTACHMENT 1	G4
STEERING GUIDE	
ATTACHMENT 2	G5
SWITCH PANEL	A5
TOP COWLING	A5-6
UPPER CASING	F1-2
-MODELS IN THIS CATALOG	A8



66X2100-3030

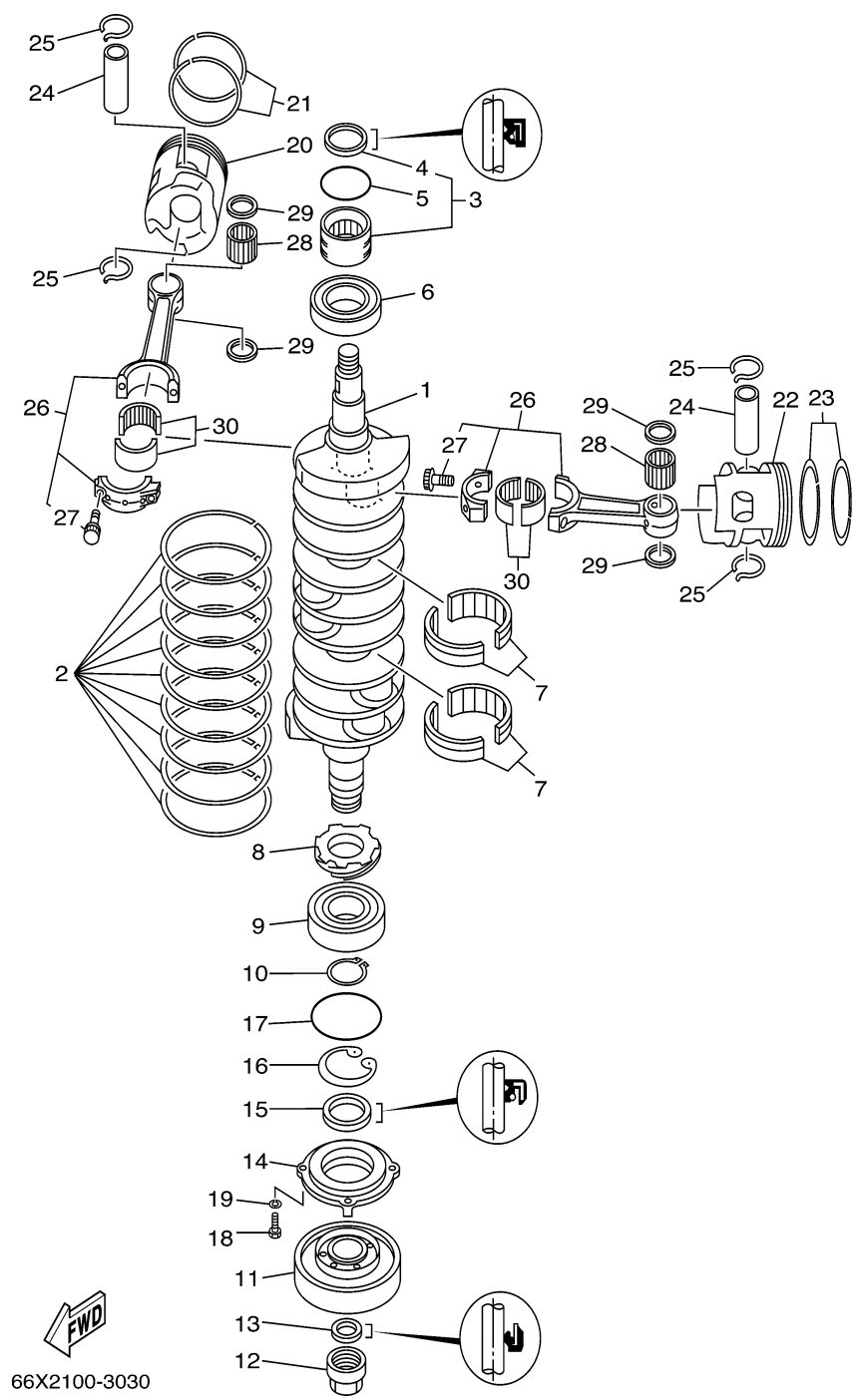
CONTINUED ON NEXT FRAME ►

CRANKSHAFT PISTON

Ref. No.	Part Number	Description	Qty	Remarks
23	64D-11603-01-00	PISTON RING SET (STD)	3	
	64D-11604-01-00	PISTON RING SET (0.25MM O/S)	3	AP
	64D-11605-01-00	PISTON RING SET (0.50MM O/S)	3	AP
24	61A-11633-02-00	PIN, PISTON	6	
25	61A-11634-00-00	CLIP, PISTON PIN	12	
26	61A-11650-10-00	CONNECTING ROD ASSY	6	
27	90109-09001-00	..BOLT	2	
28	93310-326V4-00	BEARING	6	
29	90201-26M03-00	WASHER, PLATE	12	
30	93310-840V8-00	BEARING	6	

CONTENTS

BOTTOM COWLING	D5-7
BRACKET 1	E2-3
BRACKET 2	E4-5
CONTROL	D8-9,E1
CRANKSHAFT PISTON	A9 ,B1
CYLINDER CRANKCASE 1	A7-8
CYLINDER CRANKCASE 2	B2
ELECTRICAL 1	C7
ELECTRICAL 2	C8-9
ELECTRICAL 3	D1-2
ELECTRICAL 4	D3
FUEL 1	C2-4
FUEL 2	C5
FUEL INJECTION NOZZLE	B5-6
FUEL INJECTION PUMP	B3-4
GENERATOR	C6
INTAKE	B7
LOWER CASING DRIVE 1 SX	F3-6
LOWER CASING DRIVE 2 SX	F7
LOWER CASING DRIVE 3 LX	F8-9,G1-2
LOWER CASING DRIVE 4 LX	G3
METER	A4
OIL PUMP	B8
OIL TANK	B9 ,C1
POWER TRIM & TILT ASSY	E6-9
REMOTE CONTROL ASSY 1	G7-9
REMOTE CONTROL ASSY 2	A1-3
REMOTE CONTROL BOX	G6
REPAIR KIT 1	A6
REPAIR KIT 2	A7
STARTING MOTOR	D4
STEERING GUIDE	
ATTACHMENT 1	G4
STEERING GUIDE	
ATTACHMENT 2	G5
SWITCH PANEL	A5
TOP COWLING	A5-6
UPPER CASING	F1-2
-MODELS IN THIS CATALOG	A8

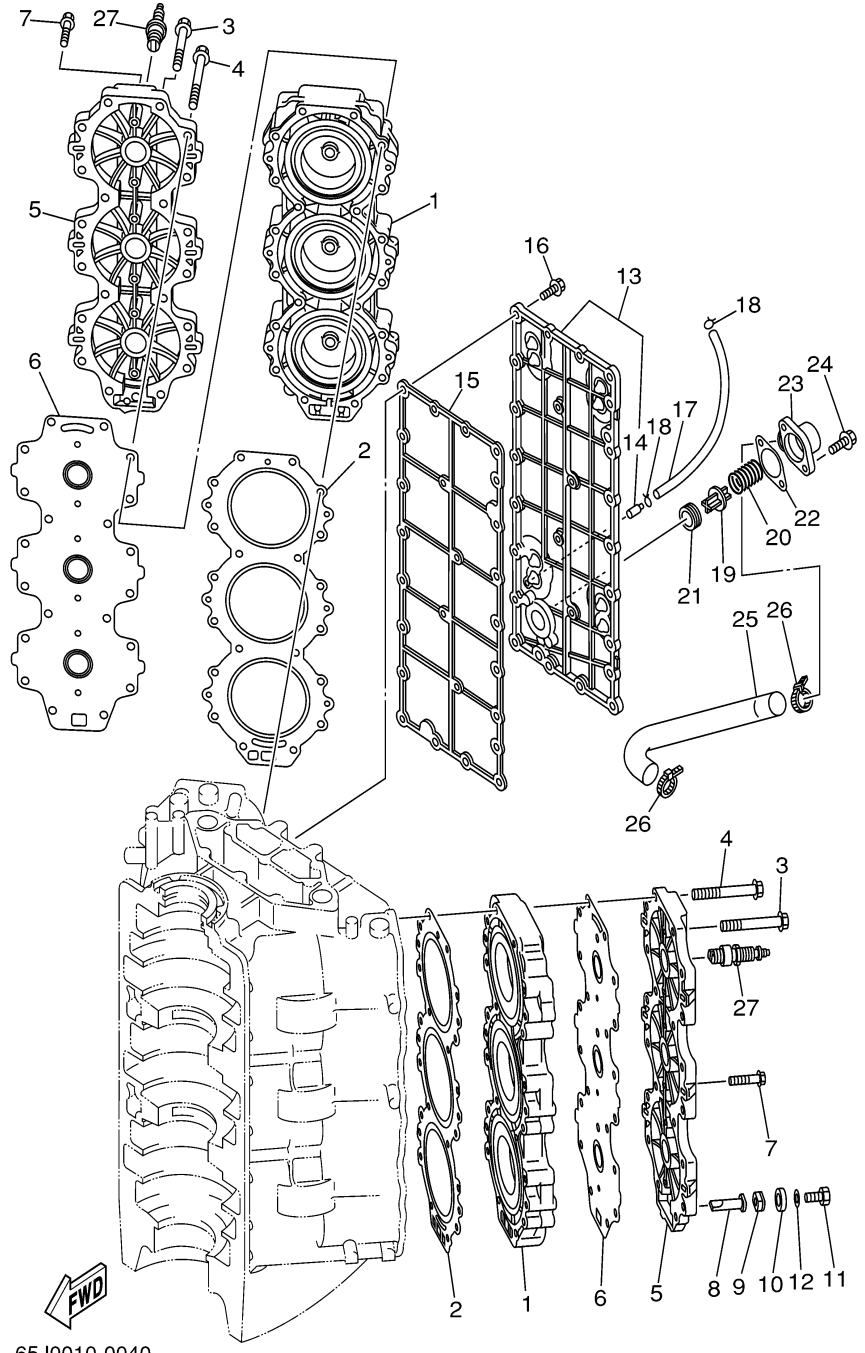


CYLINDER CRANKCASE 2

Ref. No.	Part Number	Description	Qty	Remarks
1	62J-11111-01-1S	HEAD, CYLINDER 1	2	
2	69L-11181-00-00	.GASKET, CYLINDER HEAD 1	2	
3	90119-08MA5-00	BOLT, WITH WASHER	3	
4	90119-08M99-00	BOLT, WITH WASHER	37	
5	61A-11191-00-1S	COVER, CYLINDER HEAD 1	2	
6	61A-11193-A1-00	.GASKET, HEAD COVER 1	2	
7	90119-06MA5-00	BOLT, WITH WASHER	12	
8	6J8-11325-00-00	ANODE	2	
9	6H3-11328-00-00	GROMMET, ANODE	2	
10	6H3-11327-00-1S	COVER, ANODE	2	
11	97013-06016-00	BOLT	2	
12	92903-06600-00	WASHER, PLATE	2	
13	61A-41113-00-1S	OUTER COVER, EXHAUST	1	
14	650-24378-00-00	. PIPE, JOINT 4	1	
15	61A-41112-A0-00	.GASKET, EXHAUST INNER COVER	1	
16	90119-06MA3-00	BOLT, WITH WASHER	25	
17	90445-09M25-00	HOSE (L600)	1	
18	90467-08004-00	CLIP	2	
19	6G5-12416-00-00	VALVE, PRESSURE CONTROL	1	
20	90501-16M11-00	SPRING, COMPRESSION	1	
21	90480-20M05-00	GROMMET	1	
22	6G5-11382-A1-00	.GASKET 2	1	
23	6G5-11372-00-1S	COVER, BYPASS 2	1	
24	90119-06MA2-00	BOLT, WITH WASHER	2	
25	61A-12576-00-00	HOSE 1	1	
26	90465-13M18-00	CLAMP	2	
27	94702-00309-00	PLUG, SPARK (NGK BR9HS-10)	6	

CONTENTS

BOTTOM COWLING	D5-7
BRACKET 1	E2-3
BRACKET 2	E4-5
CONTROL	D8-9,E1
CRANKSHAFT PISTON	A9 ,B1
CYLINDER CRANKCASE 1	A7-8
CYLINDER CRANKCASE 2	B2
ELECTRICAL 1	C7
ELECTRICAL 2	C8-9
ELECTRICAL 3	D1-2
ELECTRICAL 4	D3
FUEL 1	C2-4
FUEL 2	C5
FUEL INJECTION NOZZLE	B5-6
FUEL INJECTION PUMP	B3-4
GENERATOR	C6
INTAKE	B7
LOWER CASING DRIVE 1 SX	F3-6
LOWER CASING DRIVE 2 SX	F7
LOWER CASING DRIVE 3 LX	F8-9,G1-2
LOWER CASING DRIVE 4 LX	G3
METER	A4
OIL PUMP	B8
OIL TANK	B9 ,C1
POWER TRIM & TILT ASSY	E6-9
REMOTE CONTROL ASSY 1	G7-9
REMOTE CONTROL ASSY 2	A1-3
REMOTE CONTROL BOX	G6
REPAIR KIT 1	A6
REPAIR KIT 2	A7
STARTING MOTOR	D4
STEERING GUIDE ATTACHMENT 1	G4
STEERING GUIDE ATTACHMENT 2	G5
SWITCH PANEL	A5
TOP COWLING	A5-6
UPPER CASING	F1-2
-MODELS IN THIS CATALOG	A8



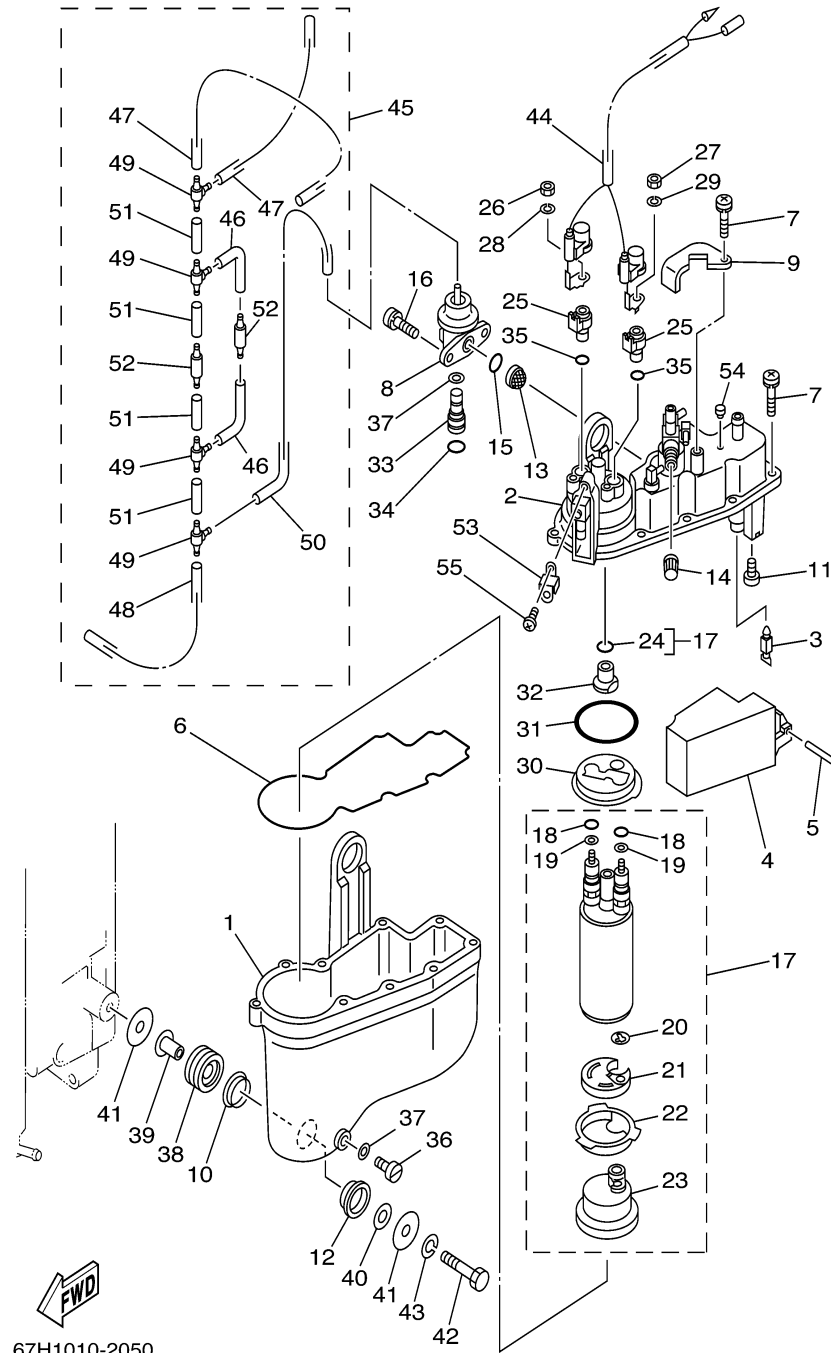
65J0010-0040

FUEL INJECTION PUMP

Ref. No.	Part Number	Description	Qty	Remarks
1	66K-14980-00-00	BODY, FLOAT CHAMBER	1	
2	67H-14182-00-00	COVER, FLOAT CHAMBER	1	
3	65L-14546-00-00	VALVE, NEEDLE	1	
4	66K-14985-00-00	FLOAT	1	
5	66K-14548-01-00	PIN, FLOAT ARM	1	
6	66K-14984-00-00	GASKET, FLOAT CHAMBER	1	
7	65L-14125-00-00	SCREW	10	
8	66K-13906-00-00	REGULATOR, PRESSURE	1	
9	66K-14255-00-00	PLATE	1	
10	66K-14239-00-00	SEAL	3	
11	66K-14325-01-00	SCREW, PAN HEAD	2	
12	66K-14163-00-00	SPACER	3	
13	65L-13905-00-00	FILTER COMP	1	
14	65L-14966-00-00	CAP	1	
15	65L-24486-00-00	O-RING	1	
16	66K-14245-00-00	SCREW, GUIDE	2	
17	67H-13907-00-00	FUEL PUMP COMP.	1	
18	65L-14227-00-00	O-RING	2	
19	65L-14194-00-00	RING	2	
20	65L-14159-00-00	CLIP	1	
21	66K-13781-00-00	DAMPER, PUMP	1	
22	66K-13844-00-00	PLATE 2	1	
23	66K-13915-00-00	FILTER	1	
24	65L-1416A-00-00	O-RING	1	
25	66K-14271-00-00	INSULATOR	2	
26	65L-8182A-00-00	NUT	1	
27	65L-8182K-00-00	NUT	1	
28	65L-8182E-00-00	WASHER	1	
29	65L-8182F-00-00	WASHER	1	
30	66K-13843-00-00	PLATE 1	1	

CONTENTS

BOTTOM COWLING	D5-7
BRACKET 1	E2-3
BRACKET 2	E4-5
CONTROL	D8-9,E1
CRANKSHAFT PISTON	A9 ,B1
CYLINDER CRANKCASE 1	A7-8
CYLINDER CRANKCASE 2	B2
ELECTRICAL 1	C7
ELECTRICAL 2	C8-9
ELECTRICAL 3	D1-2
ELECTRICAL 4	D3
FUEL 1	C2-4
FUEL 2	C5
FUEL INJECTION NOZZLE	B5-6
FUEL INJECTION PUMP	B3-4
GENERATOR	C6
INTAKE	B7
LOWER CASING DRIVE 1 SX	F3-6
LOWER CASING DRIVE 2 SX	F7
LOWER CASING DRIVE 3 LX	F8-9,G1-2
LOWER CASING DRIVE 4 LX	G3
METER	A4
OIL PUMP	B8
OIL TANK	B9 ,C1
POWER TRIM & TILT ASSY	E6-9
REMOTE CONTROL ASSY 1	G7-9
REMOTE CONTROL ASSY 2	A1-3
REMOTE CONTROL BOX	G6
REPAIR KIT 1	A6
REPAIR KIT 2	A7
STARTING MOTOR	D4
STEERING GUIDE	
ATTACHMENT 1	G4
STEERING GUIDE	
ATTACHMENT 2	G5
SWITCH PANEL	A5
TOP COWLING	A5-6
UPPER CASING	F1-2
-MODELS IN THIS CATALOG	A8



67H1010-2050

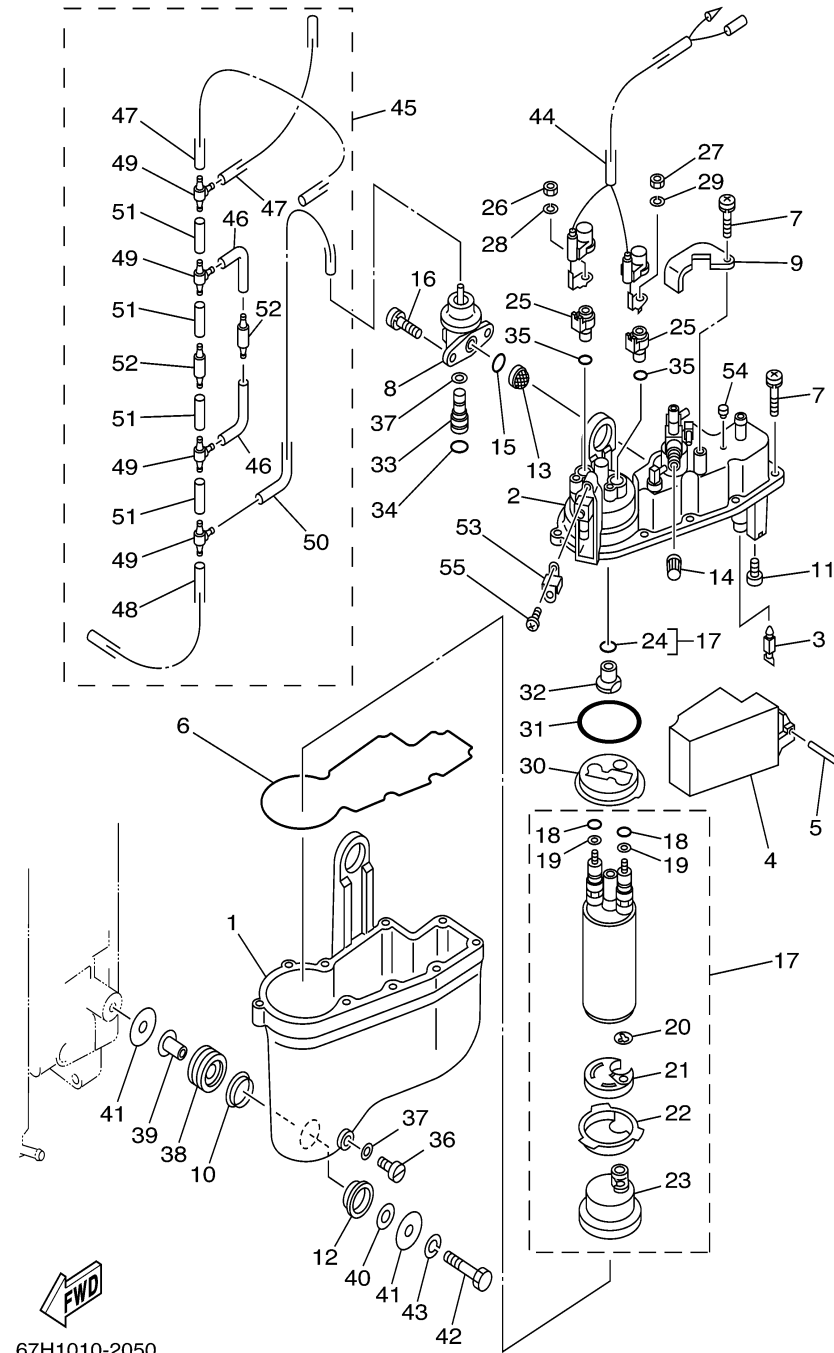
CONTINUED ON NEXT FRAME ►

FUEL INJECTION PUMP

Ref. No.	Part Number	Description	Qty	Remarks
31	65L-14147-00-00	O-RING	1	
32	65L-14274-00-00	CONNECTOR	1	
33	66K-24376-00-00	PIPE, JOINT 1	1	
34	66K-24489-00-00	O-RING	1	
35	65L-14397-00-00	O-RING	3	
36	65L-14992-00-00	ROD	1	
37	65L-14997-00-00	SEAL	2	
38	65L-24375-00-00	GROMMET	3	
39	65L-24397-00-00	COLLAR	3	
40	65L-24576-00-00	WASHER	3	
41	66K-24579-00-00	WASHER 2	6	
42	65L-24592-00-00	BOLT	3	
43	65L-24169-00-00	WASHER, LOCK	3	
44	67H-82507-00-00	WIRE, LEAD	1	
45	67H-13490-00-00	RELIEF VALVE ASSY	1	
46	66K-13542-00-00	. HOSE, VACUUM SENSING 1	2	
47	67H-13544-00-00	. HOSE, VACUUM SENSING 2	2	
48	67H-13532-00-00	. HOSE, VACUUM SENSING 3	1	
49	65L-24461-00-00	. PIPE, JOINT	4	
50	67H-13533-00-00	. HOSE, VACUUM SENSING 4	1	
51	67H-13534-00-00	. HOSE, VACUUM SENSING 5	4	
52	67H-13183-00-00	. VALVE, CHECK	2	
53	66K-13898-00-00	HOLDER	1	
54	67H-14225-00-00	.CAP	1	
55	65L-14565-00-00	SCREW	1	

CONTENTS

BOTTOM COWLING	D5-7
BRACKET 1	E2-3
BRACKET 2	E4-5
CONTROL	D8-9,E1
CRANKSHAFT PISTON	A9 ,B1
CYLINDER CRANKCASE 1	A7-8
CYLINDER CRANKCASE 2	B2
ELECTRICAL 1	C7
ELECTRICAL 2	C8-9
ELECTRICAL 3	D1-2
ELECTRICAL 4	D3
FUEL 1	C2-4
FUEL 2	C5
FUEL INJECTION NOZZLE	B5-6
FUEL INJECTION PUMP	B3-4
GENERATOR	C6
INTAKE	B7
LOWER CASING DRIVE 1 SX	F3-6
LOWER CASING DRIVE 2 SX	F7
LOWER CASING DRIVE 3 LX	F8-9,G1-2
LOWER CASING DRIVE 4 LX	G3
METER	A4
OIL PUMP	B8
OIL TANK	B9 ,C1
POWER TRIM & TILT ASSY	E6-9
REMOTE CONTROL ASSY 1	G7-9
REMOTE CONTROL ASSY 2	A1-3
REMOTE CONTROL BOX	G6
REPAIR KIT 1	A6
REPAIR KIT 2	A7
STARTING MOTOR	D4
STEERING GUIDE	
ATTACHMENT 1	G4
STEERING GUIDE	
ATTACHMENT 2	G5
SWITCH PANEL	A5
TOP COWLING	A5-6
UPPER CASING	F1-2
-MODELS IN THIS CATALOG	A8



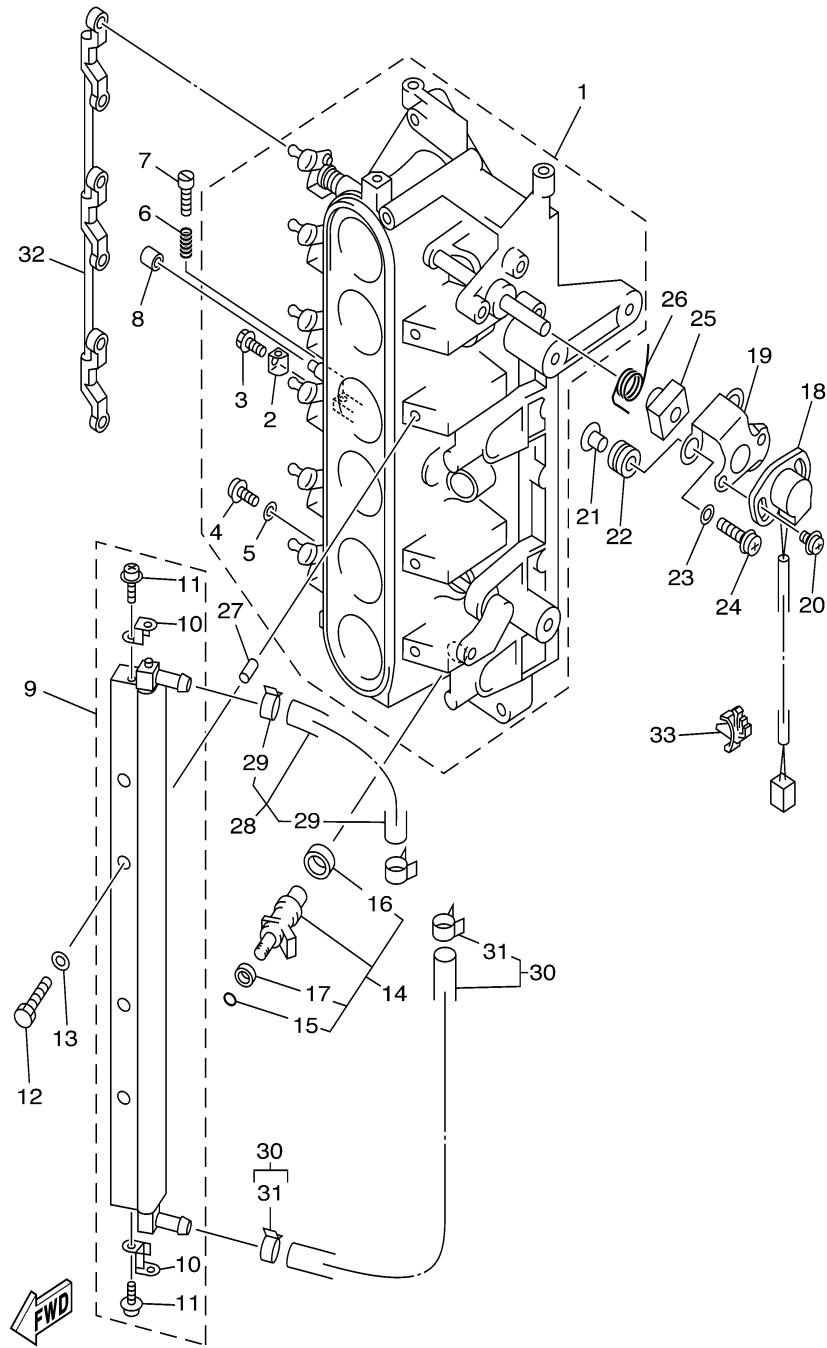
67H1010-2050

FUEL INJECTION NOZZLE

Ref. No.	Part Number	Description	Qty	Remarks
1	67H-13751-00-00	BODY, THROTTLE 1	1	
2	65L-14527-00-00	.PLATE	1	
3	65L-14565-00-00	.SCREW	1	
4	6K5-14592-00-00	.SCREW	6	
5	90201-05552-00	.WASHER, PLATE	6	
6	65L-14334-00-00	.SPRING, AIR ADJUSTING	1	
7	65L-14523-00-00	.SCREW, STOP	1	
8	65L-14578-00-00	.COLLAR	1	
9	67H-13938-00-00	PIPE	1	
10	67H-13898-00-00	.HOLDER	2	
11	65L-14565-00-00	.SCREW	2	
12	65L-13573-00-00	BOLT 1	4	
13	65L-13995-00-00	WASHER	4	
14	65L-13761-00-00	INJECTOR ASSY	6	
15	65L-13769-00-00	.O-RING	1	
16	65L-13764-00-00	.GASKET	1	
17	65L-13766-00-00	.RUBBER, INJECTOR	1	
18	61A-85885-00-00	THROTTLE SENSOR ASSY	1	
19	6K7-85886-00-00	BRACKET	1	
20	97985-05212-00	SCREW, WITH WASHER	2	
21	90387-05M00-00	COLLAR	3	
22	90480-10M23-00	GROMMET	3	
23	65L-14596-00-00	WASHER	3	
24	97985-05330-00	SCREW, WITH WASHER	3	
25	65L-14573-00-00	LEVER	1	
26	65L-14579-00-00	SPRING	1	
27	65L-13996-00-00	INSERT	2	
28	66K-13971-00-00	PIPE, FUEL 1	1	
29	65L-24387-00-00	.CLIP	2	
30	67H-13972-00-00	PIPE, FUEL 2	1	

CONTENTS

BOTTOM COWLING	D5-7
BRACKET 1	E2-3
BRACKET 2	E4-5
CONTROL	D8-9,E1
CRANKSHAFT PISTON	A9 ,B1
CYLINDER CRANKCASE 1	A7-8
CYLINDER CRANKCASE 2	B2
ELECTRICAL 1	C7
ELECTRICAL 2	C8-9
ELECTRICAL 3	D1-2
ELECTRICAL 4	D3
FUEL 1	C2-4
FUEL 2	C5
FUEL INJECTION NOZZLE	B5-6
FUEL INJECTION PUMP	B3-4
GENERATOR	C6
INTAKE	B7
LOWER CASING DRIVE 1 SX	F3-6
LOWER CASING DRIVE 2 SX	F7
LOWER CASING DRIVE 3 LX	F8-9,G1-2
LOWER CASING DRIVE 4 LX	G3
METER	A4
OIL PUMP	B8
OIL TANK	B9 ,C1
POWER TRIM & TILT ASSY	E6-9
REMOTE CONTROL ASSY 1	G7-9
REMOTE CONTROL ASSY 2	A1-3
REMOTE CONTROL BOX	G6
REPAIR KIT 1	A6
REPAIR KIT 2	A7
STARTING MOTOR	D4
STEERING GUIDE	
ATTACHMENT 1	G4
STEERING GUIDE	
ATTACHMENT 2	G5
SWITCH PANEL	A5
TOP COWLING	A5-6
UPPER CASING	F1-2
-MODELS IN THIS CATALOG	A8



66X1010-2060

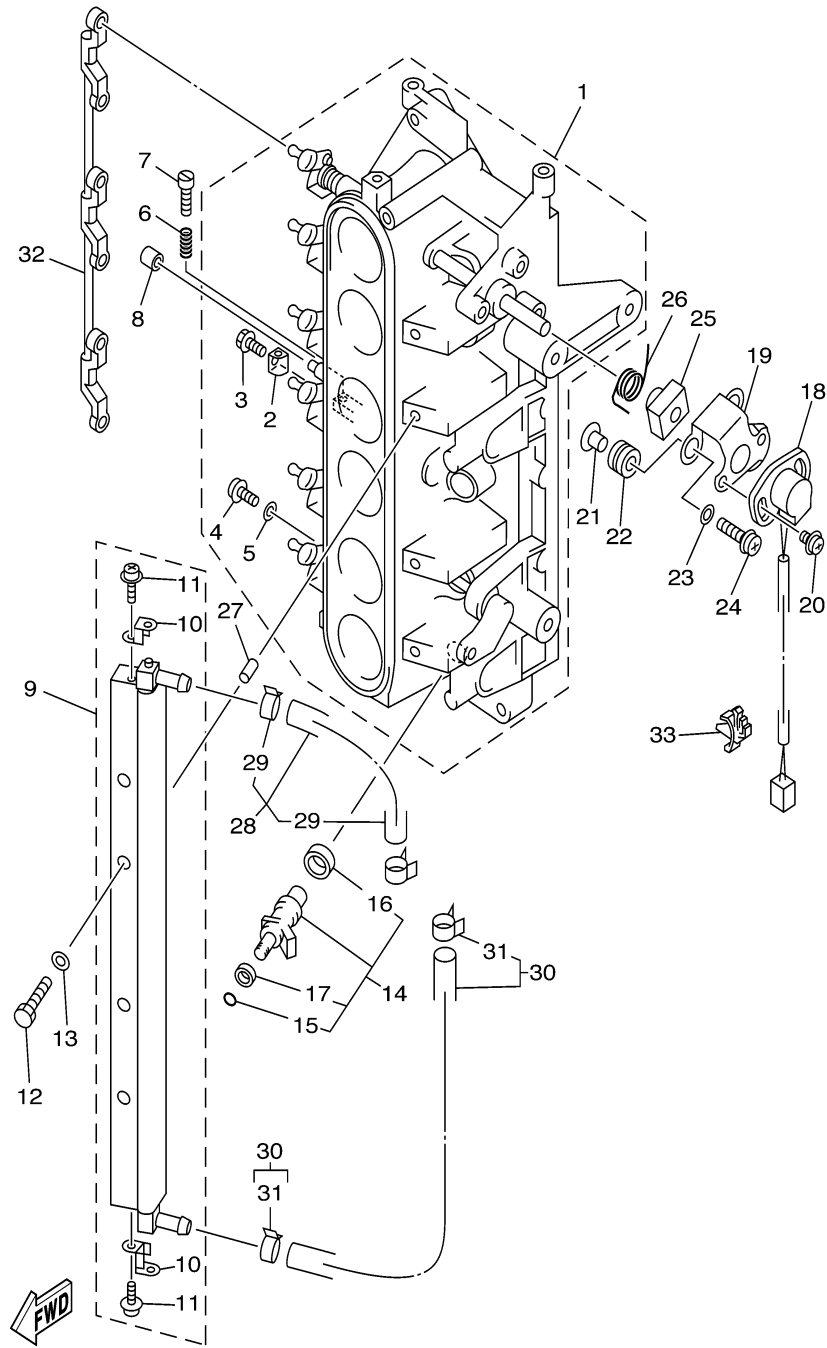
CONTINUED ON NEXT FRAME ►

FUEL INJECTION NOZZLE

Ref. No.	Part Number	Description	Qty	Remarks
31	65L-24387-00-00	..CLIP	2	
32	65L-41217-00-00	ROD, ACCEL. LEVER	1	
33	90464-04M12-00	CLAMP	1	

CONTENTS

BOTTOM COWLING	D5-7
BRACKET 1	E2-3
BRACKET 2	E4-5
CONTROL	D8-9,E1
CRANKSHAFT PISTON	A9 ,B1
CYLINDER CRANKCASE 1	A7-8
CYLINDER CRANKCASE 2	B2
ELECTRICAL 1	C7
ELECTRICAL 2	C8-9
ELECTRICAL 3	D1-2
ELECTRICAL 4	D3
FUEL 1	C2-4
FUEL 2	C5
FUEL INJECTION NOZZLE	B5-6
FUEL INJECTION PUMP	B3-4
GENERATOR	C6
INTAKE	B7
LOWER CASING DRIVE 1 SX	F3-6
LOWER CASING DRIVE 2 SX	F7
LOWER CASING DRIVE 3 LX	F8-9,G1-2
LOWER CASING DRIVE 4 LX	G3
METER	A4
OIL PUMP	B8
OIL TANK	B9 ,C1
POWER TRIM & TILT ASSY	E6-9
REMOTE CONTROL ASSY 1	G7-9
REMOTE CONTROL ASSY 2	A1-3
REMOTE CONTROL BOX	G6
REPAIR KIT 1	A6
REPAIR KIT 2	A7
STARTING MOTOR	D4
STEERING GUIDE	
ATTACHMENT 1	G4
STEERING GUIDE	
ATTACHMENT 2	G5
SWITCH PANEL	A5
TOP COWLING	A5-6
UPPER CASING	F1-2
-MODELS IN THIS CATALOG	A8



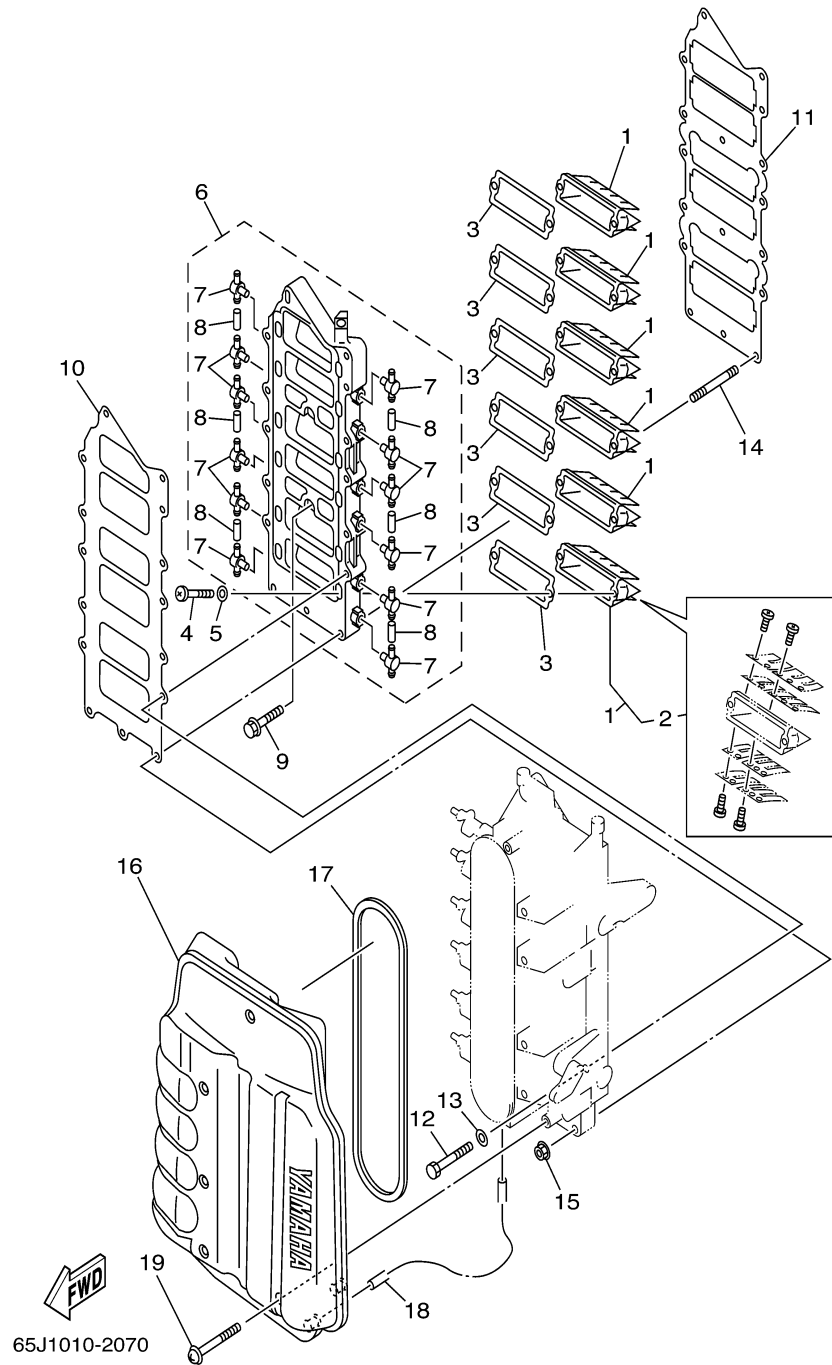
66X1010-2060

INTAKE

Ref. No.	Part Number	Description	Qty	Remarks
1	65L-13610-01-00	REED VALVE ASSY	6	UR SX250, LX250
	65J-13610-01-00	REED VALVE ASSY	6	UR SX225, LX225
2	65J-W0004-01-00	.REED SET	1	
3	61A-13621-A0-00	.GASKET, VALVE SEAT	6	
4	97880-05016-00	SCREW, PAN HEAD	12	
5	92990-05600-00	WASHER, PLATE	12	
6	65L-13624-01-1S	PLATE, REED VALVE	1	
7	6F6-11372-00-00	.NIPPLE, HOSE	12	
8	90445-07M03-00	.HOSE (L34)	6	
9	90105-06028-00	BOLT, FLANGE	2	
10	65L-13646-00-00	.GASKET, MANIFOLD 2	1	
11	65L-13645-00-00	.GASKET, MANIFOLD 1	1	
12	97013-06060-00	BOLT	12	
13	92903-06600-00	WASHER, PLATE	12	
14	95670-06655-00	BOLT, STUD	2	
15	90179-06M24-00	NUT	2	
16	65L-14440-00-00	SILENCER ASSY, INTAKE	1	
17	65L-14483-00-00	.GASKET	1	
18	90445-07M44-00	HOSE (L250)	1	
19	90159-06M16-00	SCREW, WITH WASHER	6	

CONTENTS

BOTTOM COWLING	D5-7
BRACKET 1	E2-3
BRACKET 2	E4-5
CONTROL	D8-9,E1
CRANKSHAFT PISTON	A9 ,B1
CYLINDER CRANKCASE 1	A7-8
CYLINDER CRANKCASE 2	B2
ELECTRICAL 1	C7
ELECTRICAL 2	C8-9
ELECTRICAL 3	D1-2
ELECTRICAL 4	D3
FUEL 1	C2-4
FUEL 2	C5
FUEL INJECTION NOZZLE	B5-6
FUEL INJECTION PUMP	B3-4
GENERATOR	C6
INTAKE	B7
LOWER CASING DRIVE 1 SX	F3-6
LOWER CASING DRIVE 2 SX	F7
LOWER CASING DRIVE 3 LX	F8-9,G1-2
LOWER CASING DRIVE 4 LX	G3
METER	A4
OIL PUMP	B8
OIL TANK	B9 ,C1
POWER TRIM & TILT ASSY	E6-9
REMOTE CONTROL ASSY 1	G7-9
REMOTE CONTROL ASSY 2	A1-3
REMOTE CONTROL BOX	G6
REPAIR KIT 1	A6
REPAIR KIT 2	A7
STARTING MOTOR	D4
STEERING GUIDE	
ATTACHMENT 1	G4
STEERING GUIDE	
ATTACHMENT 2	G5
SWITCH PANEL	A5
TOP COWLING	A5-6
UPPER CASING	F1-2
-MODELS IN THIS CATALOG	A8

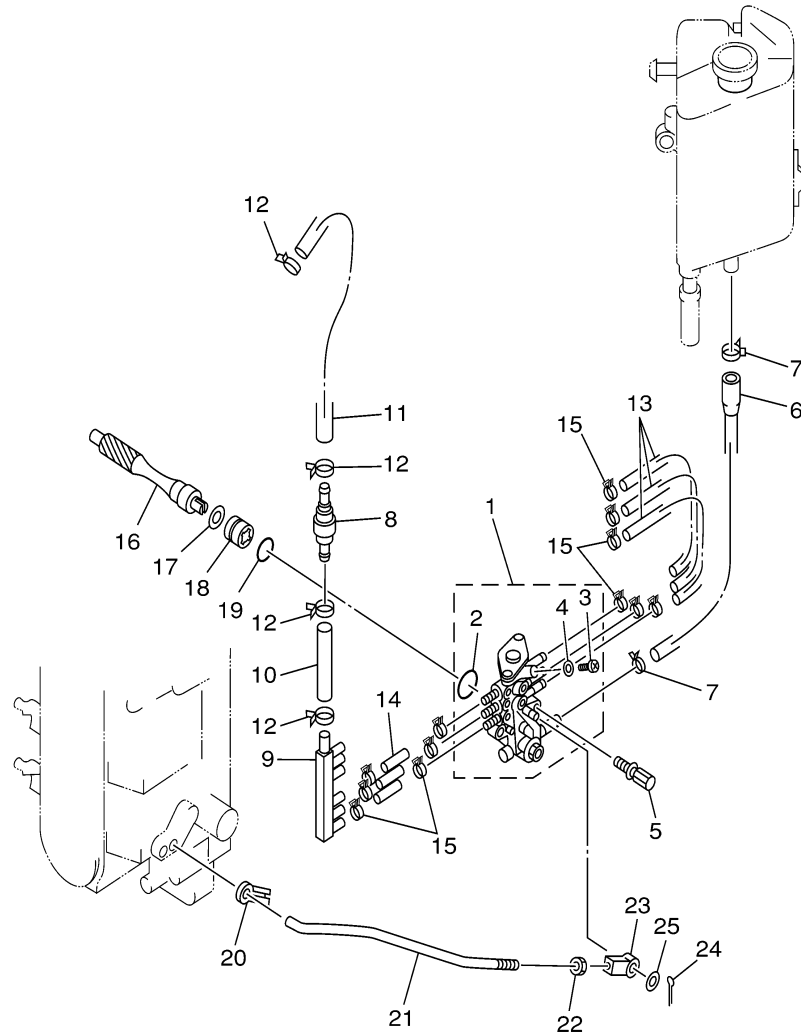


OIL PUMP

Ref. No.	Part Number	Description	Qty	Remarks
1	65L-13200-00-00	OIL INJECTION PUMP ASSY ..	1	
2	93210-19M82-00	..O-RING	1	
3	6R3-13471-00-00	..PLUG, DRAIN	1	
4	6L2-13475-00-00	..GASKET	1	
5	90109-06M40-00	BOLT	2	
6	61A-13416-00-00	PIPE, OIL 1	1	
7	90465-11M10-00	CLAMP	2	
8	65L-13183-00-00	VALVE, CHECK	1	
9	65L-24378-00-00	PIPE, JOINT 4	1	
10	90445-09220-00	HOSE (L30)	1	
11	90446-09M69-00	HOSE	1	
12	90465-11M10-00	CLAMP	4	
13	90445-07M02-00	HOSE (L167)	3	
14	90445-07M03-00	.HOSE (L34)	3	
15	90468-07M02-00	CLIP	12	
16	61A-11537-00-00	GEAR, DRIVEN	1	
17	90201-09M01-00	WASHER, PLATE	1	
18	61A-13117-00-00	COLLAR, DISTANCE	1	
19	93210-18MA9-00	.O-RING	1	
20	6R5-41237-00-00	JOINT, LINK	1	
21	65L-41241-00-00	ROD, LINK	1	
22	95380-05600-00	NUT	1	
23	6H1-41237-00-00	JOINT, LINK	1	
24	91490-12012-00	PIN, COTTER	1	
25	90202-05088-00	WASHER, PLATE	1	

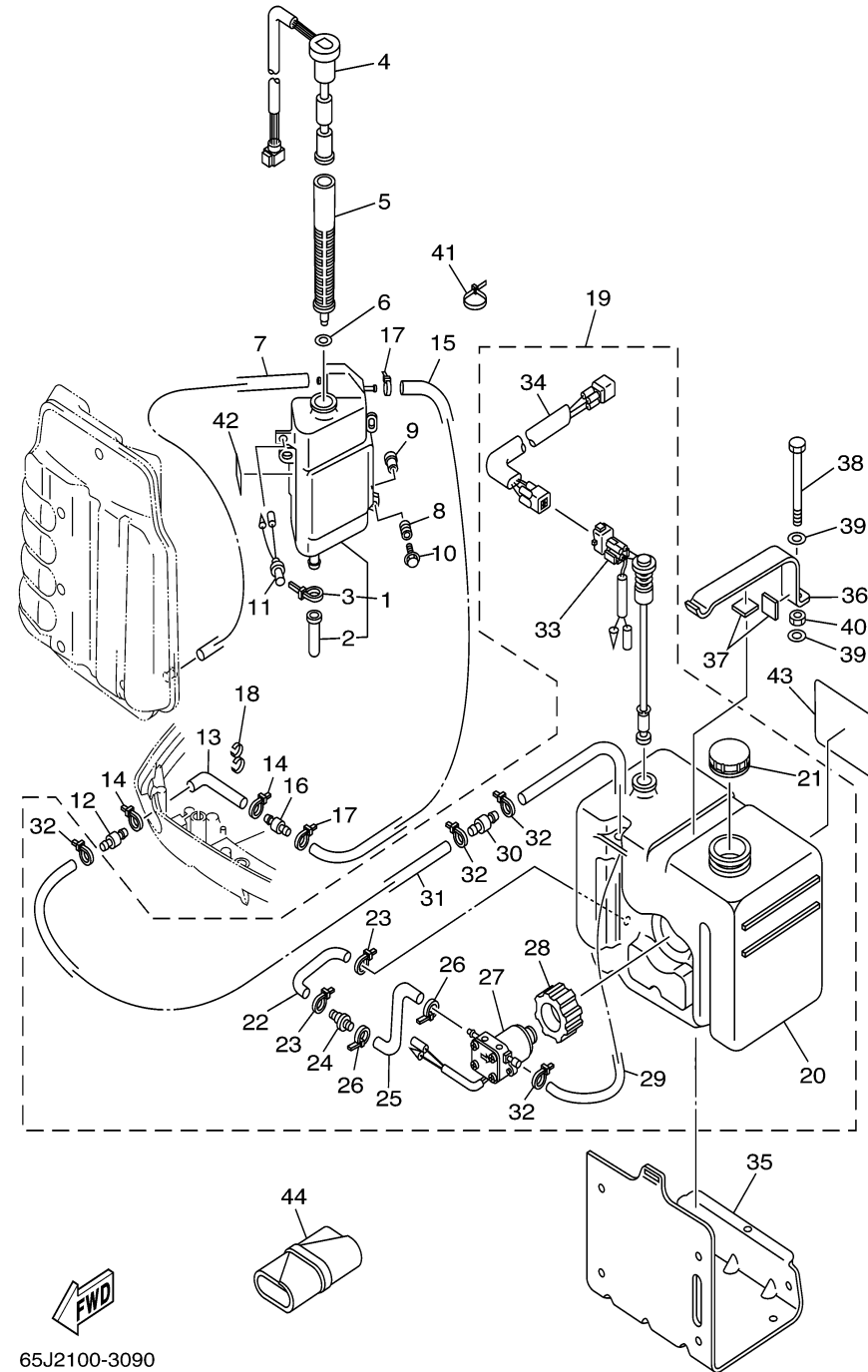
CONTENTS

BOTTOM COWLING	D5-7
BRACKET 1	E2-3
BRACKET 2	E4-5
CONTROL	D8-9,E1
CRANKSHAFT PISTON	A9 ,B1
CYLINDER CRANKCASE 1	A7-8
CYLINDER CRANKCASE 2	B2
ELECTRICAL 1	C7
ELECTRICAL 2	C8-9
ELECTRICAL 3	D1-2
ELECTRICAL 4	D3
FUEL 1	C2-4
FUEL 2	C5
FUEL INJECTION NOZZLE	B5-6
FUEL INJECTION PUMP	B3-4
GENERATOR	C6
INTAKE	B7
LOWER CASING DRIVE 1 SX	F3-6
LOWER CASING DRIVE 2 SX	F7
LOWER CASING DRIVE 3 LX	F8-9,G1-2
LOWER CASING DRIVE 4 LX	G3
METER	A4
OIL PUMP	B8
OIL TANK	B9 ,C1
POWER TRIM & TILT ASSY	E6-9
REMOTE CONTROL ASSY 1	G7-9
REMOTE CONTROL ASSY 2	A1-3
REMOTE CONTROL BOX	G6
REPAIR KIT 1	A6
REPAIR KIT 2	A7
STARTING MOTOR	D4
STEERING GUIDE	
ATTACHMENT 1	G4
STEERING GUIDE	
ATTACHMENT 2	G5
SWITCH PANEL	A5
TOP COWLING	A5-6
UPPER CASING	F1-2
-MODELS IN THIS CATALOG	A8



65J0010-7080

OIL TANK



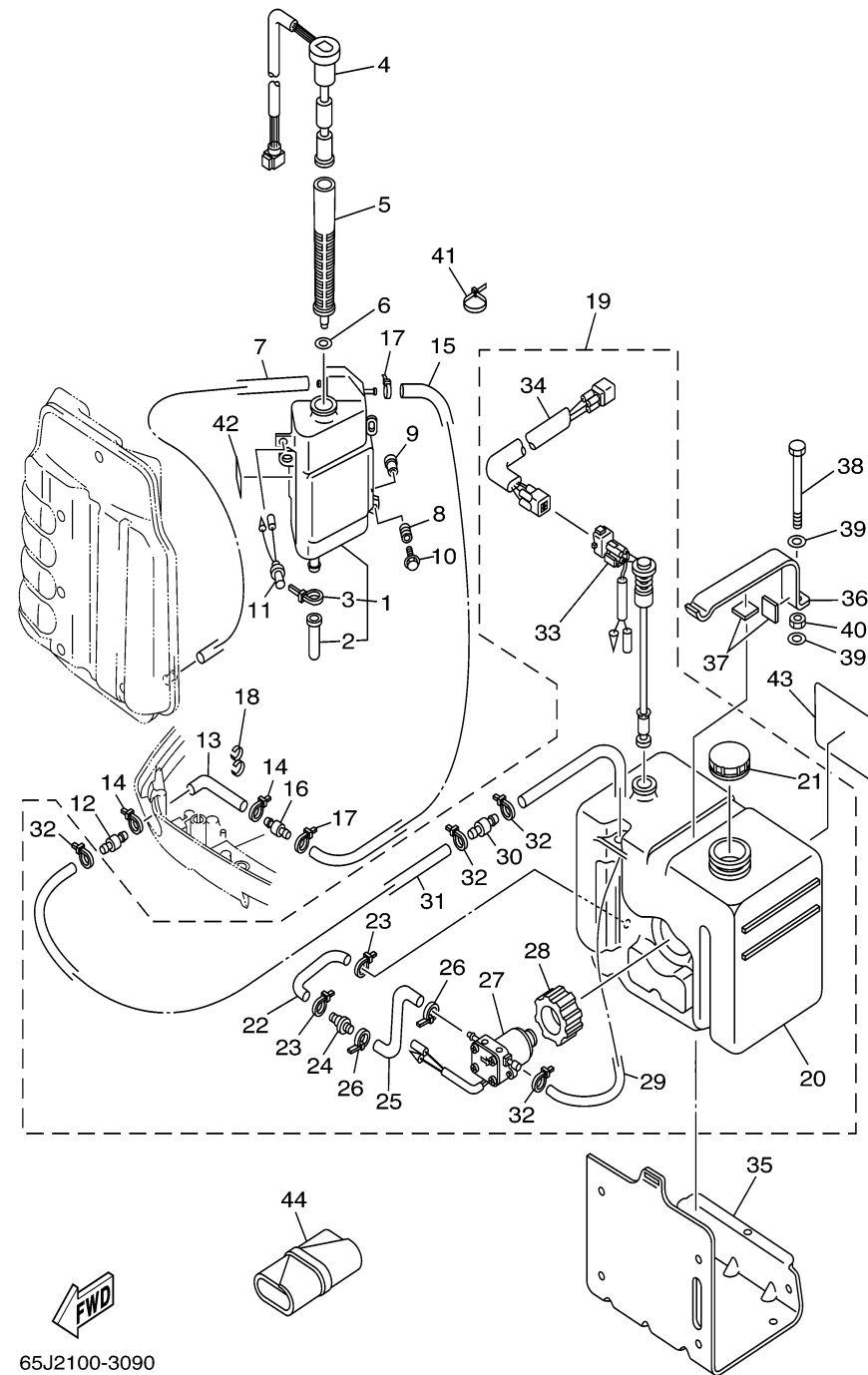
Ref. No.	Part Number	Description	Qty	Remarks
1	61A-21750-00-00	OIL TANK ASSY	1	
2	6E5-13448-00-00	.CAP	1	
3	90465-13M11-00	.CLAMP	1	
4	61A-85730-01-00	OIL LEVEL GAUGE ASSY	1	
5	61A-13411-00-00	STRAINER, OIL	1	
6	6E5-13414-00-00	GASKET, STRAINER COVER	1	
7	90445-05M07-00	HOSE (L700)	1	
8	6A0-82317-00-00	DAMPER, IGNITION COIL	3	
9	624-42542-00-00	PIPE	3	
10	90119-06M65-00	BOLT, WITH WASHER	3	
11	6R3-8259E-00-00	SWITCH ASSY	1	
12	6E5-24379-00-00	.PIPE, JOINT 4	1	
13	90445-12M04-00	HOSE (L1900)	1	
14	90465-11M10-00	CLAMP	2	
15	6E5-24323-00-00	PIPE 12	1	
16	6E5-24379-00-00	.PIPE, JOINT 4	1	
17	90465-11M10-00	CLAMP	2	
18	90464-13M34-00	CLAMP	1	
19	61A-21708-20-00	SUB OIL TANK ASSY	1	AP
20	6E5-21733-20-00	.SUB TANK, OIL (10.5L)	1	
21	6E5-21770-03-00	.OIL TANK CAP ASSY	1	
22	6E5-24322-00-00	.PIPE 11	1	
23	90465-11M10-00	.CLAMP	2	
24	646-24251-02-00	.STRAINER 1	1	
25	6E5-24319-01-00	.PIPE, OIL	1	
26	90465-11M10-00	.CLAMP	2	
27	6E5-81900-01-00	.OIL FEED PUMP ASSY	1	
28	6E5-81922-00-00	.GROMMET	1	
29	6E5-24321-01-00	.PIPE 10	1	
30	6E5-24379-00-00	.PIPE, JOINT 4	1	

CONTENTS

BOTTOM COWLING	D5-7
BRACKET 1	E2-3
BRACKET 2	E4-5
CONTROL	D8-9,E1
CRANKSHAFT PISTON	A9 ,B1
CYLINDER CRANKCASE 1	A7-8
CYLINDER CRANKCASE 2	B2
ELECTRICAL 1	C7
ELECTRICAL 2	C8-9
ELECTRICAL 3	D1-2
ELECTRICAL 4	D3
FUEL 1	C2-4
FUEL 2	C5
FUEL INJECTION NOZZLE	B5-6
FUEL INJECTION PUMP	B3-4
GENERATOR	C6
INTAKE	B7
LOWER CASING DRIVE 1 SX	F3-6
LOWER CASING DRIVE 2 SX	F7
LOWER CASING DRIVE 3 LX	F8-9,G1-2
LOWER CASING DRIVE 4 LX	G3
METER	A4
OIL PUMP	B8
OIL TANK	B9 ,C1
POWER TRIM & TILT ASSY	E6-9
REMOTE CONTROL ASSY 1	G7-9
REMOTE CONTROL ASSY 2	A1-3
REMOTE CONTROL BOX	G6
REPAIR KIT 1	A6
REPAIR KIT 2	A7
STARTING MOTOR	D4
STEERING GUIDE	
ATTACHMENT 1	G4
STEERING GUIDE	
ATTACHMENT 2	G5
SWITCH PANEL	A5
TOP COWLING	A5-6
UPPER CASING	F1-2
-MODELS IN THIS CATALOG	A8

CONTINUED ON NEXT FRAME ►

OIL TANK



Ref. No.	Part Number	Description	Qty	Remarks
31	90445-11M26-00	..HOSE (L6500)	1	
32	90465-11M10-00	. CLAMP	4	
33	6E5-85720-04-00	..OIL LEVEL GAUGE ASSY	1	
34	6R3-85721-80-00	..WIRE, LEAD (L=8.0M)	1	
35	6E5-21734-01-33	HOLDER, OIL SUB TANK	1	AP
36	6E5-21798-01-33	BRACKET, DAMPER	1	AP
37	6E5-21746-00-00	DAMPER	2	AP
38	97080-06100-00	BOLT	1	AP
39	92990-06600-00	WASHER, PLATE	2	AP
40	95380-06600-00	NUT, HEXAGON	1	AP
41	90465-13M11-00	CLAMP	2	AP
42	6E5-85711-40-00	MARK, CAUTION	1	
43	6E5-13437-43-00	MARK, CAUTION	1	
44	656-W2810-02-00	TOOL KIT	1	AP

CONTENTS

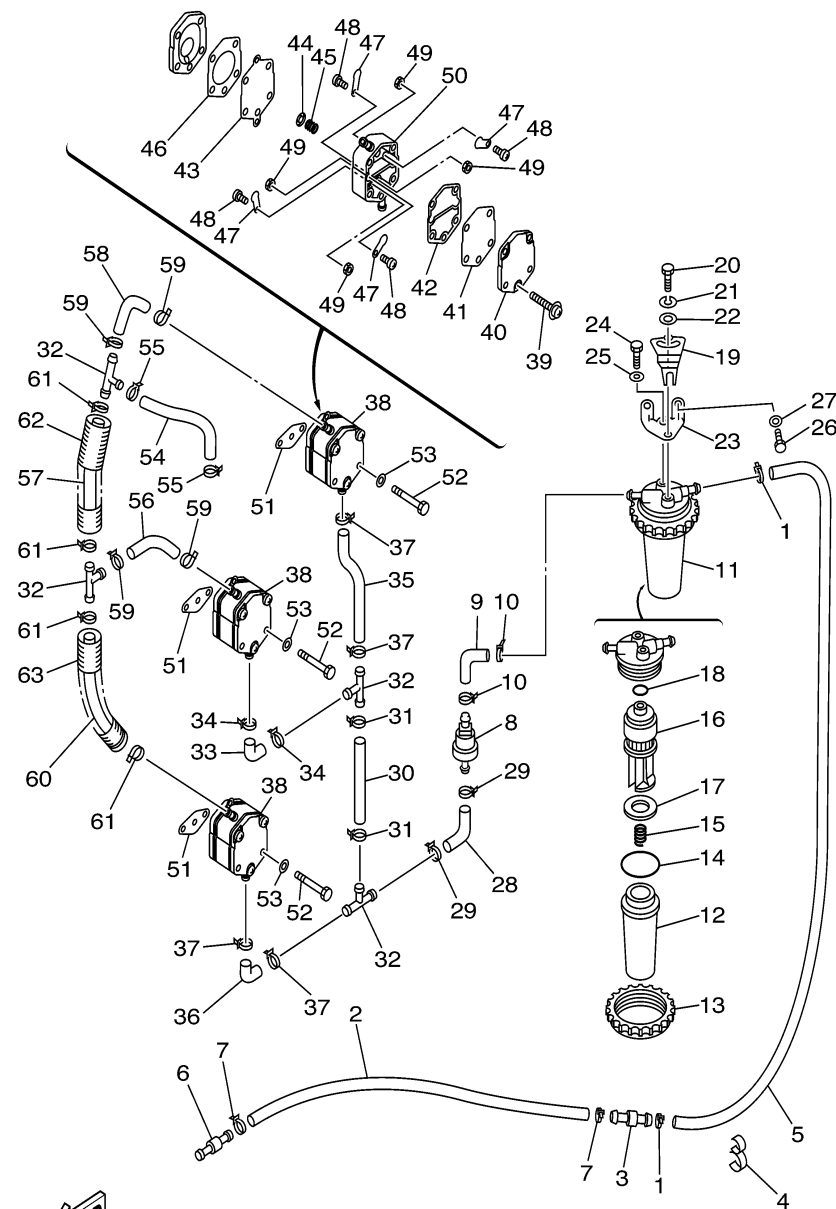
BOTTOM COWLING	D5-7
BRACKET 1	E2-3
BRACKET 2	E4-5
CONTROL	D8-9,E1
CRANKSHAFT PISTON	A9 ,B1
CYLINDER CRANKCASE 1	A7-8
CYLINDER CRANKCASE 2	B2
ELECTRICAL 1	C7
ELECTRICAL 2	C8-9
ELECTRICAL 3	D1-2
ELECTRICAL 4	D3
FUEL 1	C2-4
FUEL 2	C5
FUEL INJECTION NOZZLE	B5-6
FUEL INJECTION PUMP	B3-4
GENERATOR	C6
INTAKE	B7
LOWER CASING DRIVE 1 SX	F3-6
LOWER CASING DRIVE 2 SX	F7
LOWER CASING DRIVE 3 LX	F8-9,G1-2
LOWER CASING DRIVE 4 LX	G3
METER	A4
OIL PUMP	B8
OIL TANK	B9 ,C1
POWER TRIM & TILT ASSY	E6-9
REMOTE CONTROL ASSY 1	G7-9
REMOTE CONTROL ASSY 2	A1-3
REMOTE CONTROL BOX	G6
REPAIR KIT 1	A6
REPAIR KIT 2	A7
STARTING MOTOR	D4
STEERING GUIDE	
ATTACHMENT 1	G4
STEERING GUIDE	
ATTACHMENT 2	G5
SWITCH PANEL	A5
TOP COWLING	A5-6
UPPER CASING	F1-2
-MODELS IN THIS CATALOG	A8

FUEL 1

Ref. No.	Part Number	Description	Qty	Remarks
1	90465-11M10-00	CLAMP	2	
2	90445-13M17-00	HOSE (L2700)	1	
3	6R3-24377-00-00	PIPE, JOINT 3	1	
4	90464-13M34-00	CLAMP	2	
5	61A-24313-00-00	PIPE 3	1	
6	6R3-24377-10-00	PIPE, JOINT 3	1	
7	90465-11M10-00	CLAMP	2	
8	6R5-24408-00-00	FUEL FEED ASSY	1	
9	61A-24311-00-00	PIPE, FUEL 1	1	
10	90465-11M10-00	CLAMP	2	
11	65L-24560-00-00	FILTER ASSY	1	
12	61A-24521-00-00	..CUP, FILTER	1	
13	65L-24531-01-00	..NUT	1	
14	61A-24564-00-00	..O-RING	1	
15	65L-24577-00-00	..SPRING	1	
16	65L-24563-00-00	..ELEMENT, FILTER	1	
17	61A-24469-00-00	..FLOAT, WATER LEVEL	1	
18	65L-24564-00-00	..O-RING	1	
19	65L-24558-00-00	HOLDER, FILTER	1	
20	97095-06016-00	BOLT	1	
21	92995-06100-00	WASHER, SPRING	1	
22	90201-06068-00	WASHER, PLATE	1	
23	61A-24566-00-00	BRACKET, FILTER	1	
24	97095-06014-00	BOLT	1	
25	92995-06600-00	WASHER	1	
26	97095-06016-00	BOLT	2	
27	92995-06600-00	WASHER	2	
28	61A-24311-00-00	PIPE, FUEL 1	1	
29	90465-11M10-00	CLAMP	2	
30	6G5-24317-01-00	PIPE 7	1	

CONTENTS

BOTTOM COWLING	D5-7
BRACKET 1	E2-3
BRACKET 2	E4-5
CONTROL	D8-9,E1
CRANKSHAFT PISTON	A9 ,B1
CYLINDER CRANKCASE 1	A7-8
CYLINDER CRANKCASE 2	B2
ELECTRICAL 1	C7
ELECTRICAL 2	C8-9
ELECTRICAL 3	D1-2
ELECTRICAL 4	D3
FUEL 1	C2-4
FUEL 2	C5
FUEL INJECTION NOZZLE	B5-6
FUEL INJECTION PUMP	B3-4
GENERATOR	C6
INTAKE	B7
LOWER CASING DRIVE 1 SX	F3-6
LOWER CASING DRIVE 2 SX	F7
LOWER CASING DRIVE 3 LX	F8-9,G1-2
LOWER CASING DRIVE 4 LX	G3
METER	A4
OIL PUMP	B8
OIL TANK	B9 ,C1
POWER TRIM & TILT ASSY	E6-9
REMOTE CONTROL ASSY 1	G7-9
REMOTE CONTROL ASSY 2	A1-3
REMOTE CONTROL BOX	G6
REPAIR KIT 1	A6
REPAIR KIT 2	A7
STARTING MOTOR	D4
STEERING GUIDE	
ATTACHMENT 1	G4
STEERING GUIDE	
ATTACHMENT 2	G5
SWITCH PANEL	A5
TOP COWLING	A5-6
UPPER CASING	F1-2
-MODELS IN THIS CATALOG	A8



66X2100-3100

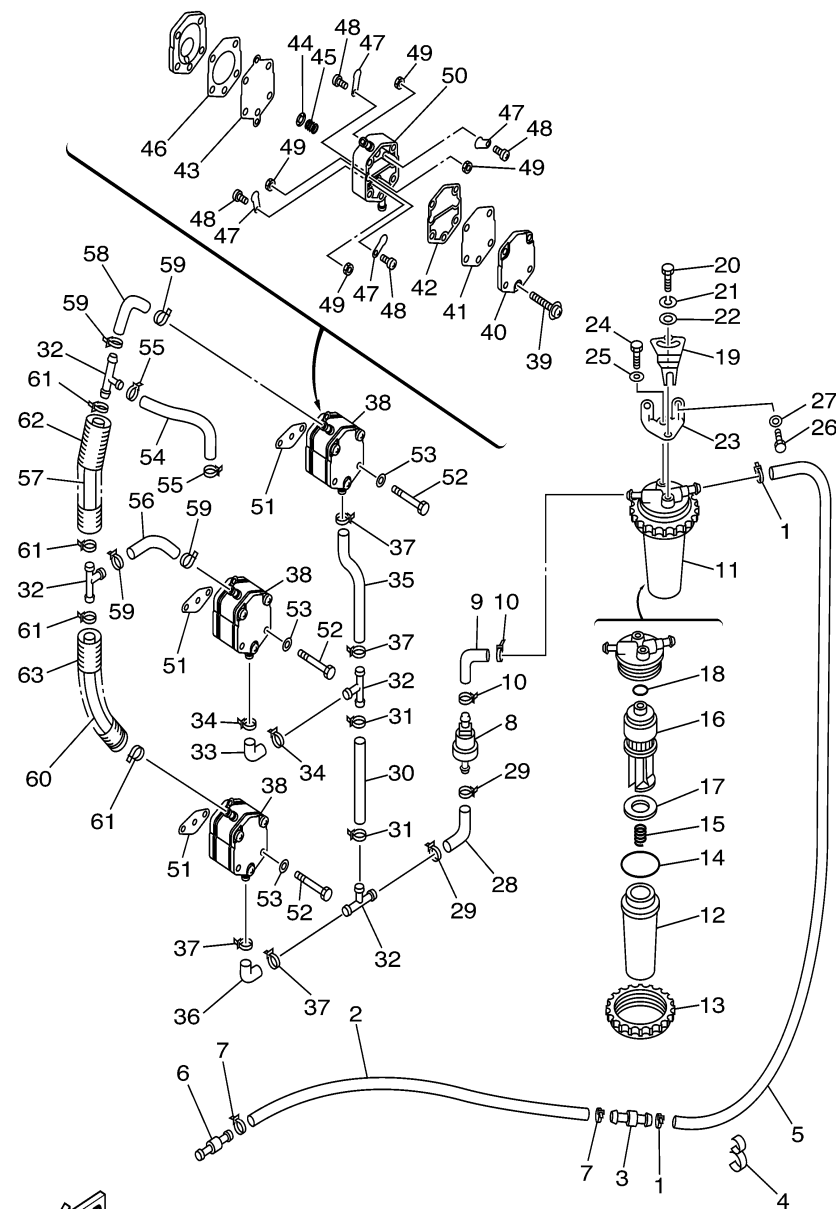
CONTINUED ON NEXT FRAME ►

FUEL 1

Ref. No.	Part Number	Description	Qty	Remarks
31	90465-11M10-00	CLAMP	2	
32	6E5-24378-00-00	PIPE, JOINT 3	4	
33	6E5-24315-00-00	PIPE 5	1	
34	90465-11M10-00	CLAMP	2	
35	6G5-24315-00-00	PIPE 5	1	
36	6E5-24315-00-00	PIPE 5	1	
37	90465-11M10-00	CLAMP	4	
38	6E5-24410-03-00	FUEL PUMP ASSY	3	
39	6E5-24444-00-00	. SCREW	3	
40	6E5-24413-00-00	. BODY 2	1	
41	6E5-24471-00-00	. DIAPHRAGM	1	
42	6E5-24435-00-00	. GASKET, BODY 2	1	
43	6E5-24411-00-00	. DIAPHRAGM	1	
44	648-24424-00-00	. SEAT, SPRING	1	
45	6E5-24423-00-00	. SPRING, DIAPHRAGM	1	
46	6E5-24434-02-00	. GASKET, BODY	1	
47	6A0-24421-01-00	. VALVE, CHECK	4	
48	6A0-14325-00-00	. SCREW, PAN HEAD	4	
49	95380-03600-00	. NUT	4	
50	6E5-24412-10-00	. BODY 1	1	
51	650-24431-A0-00	GASKET, FUEL PUMP 1	3	
52	97095-06050-00	BOLT	6	
53	92995-06600-00	WASHER	6	
54	65L-24311-00-00	PIPE, FUEL 1	1	
55	90465-11M10-00	CLAMP	2	
56	6G5-24316-10-00	PIPE 6	1	
57	90445-13M14-00	HOSE (L70)	1	
58	61A-24311-00-00	PIPE, FUEL 1	1	
59	90465-11M10-00	CLAMP	4	
60	6E5-24313-00-00	PIPE 3	1	

CONTENTS

BOTTOM COWLING	D5-7
BRACKET 1	E2-3
BRACKET 2	E4-5
CONTROL	D8-9,E1
CRANKSHAFT PISTON	A9 ,B1
CYLINDER CRANKCASE 1	A7-8
CYLINDER CRANKCASE 2	B2
ELECTRICAL 1	C7
ELECTRICAL 2	C8-9
ELECTRICAL 3	D1-2
ELECTRICAL 4	D3
FUEL 1	C2-4
FUEL 2	C5
FUEL INJECTION NOZZLE	B5-6
FUEL INJECTION PUMP	B3-4
GENERATOR	C6
INTAKE	B7
LOWER CASING DRIVE 1 SX	F3-6
LOWER CASING DRIVE 2 SX	F7
LOWER CASING DRIVE 3 LX	F8-9,G1-2
LOWER CASING DRIVE 4 LX	G3
METER	A4
OIL PUMP	B8
OIL TANK	B9 ,C1
POWER TRIM & TILT ASSY	E6-9
REMOTE CONTROL ASSY 1	G7-9
REMOTE CONTROL ASSY 2	A1-3
REMOTE CONTROL BOX	G6
REPAIR KIT 1	A6
REPAIR KIT 2	A7
STARTING MOTOR	D4
STEERING GUIDE ATTACHMENT 1	G4
STEERING GUIDE ATTACHMENT 2	G5
SWITCH PANEL	A5
TOP COWLING	A5-6
UPPER CASING	F1-2
-MODELS IN THIS CATALOG	A8



66X2100-3100

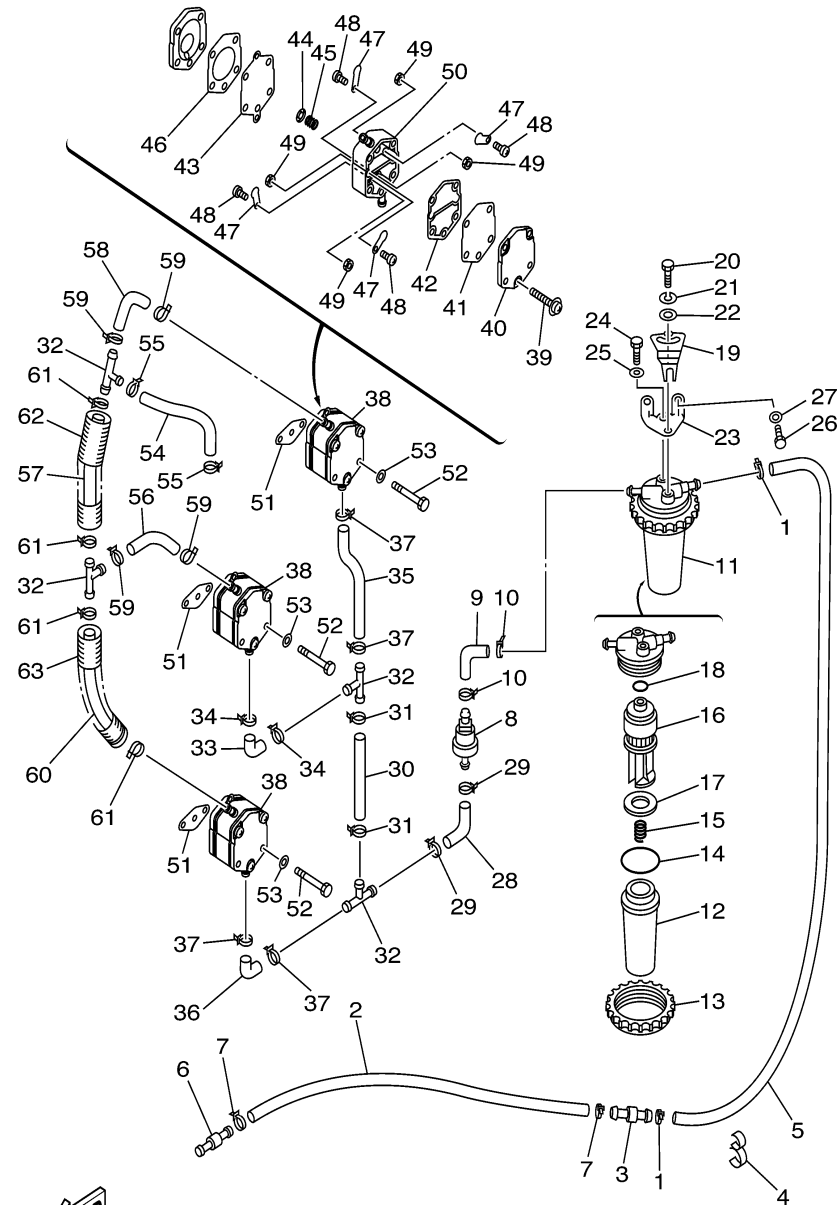
CONTINUED ON NEXT FRAME ►

FUEL 1

Ref. No.	Part Number	Description	Qty	Remarks
61	90465-11M10-00	CLAMP	4	
62	6E9-83557-70-00	TUBE	1	
63	65L-83557-00-00	TUBE	1	

CONTENTS

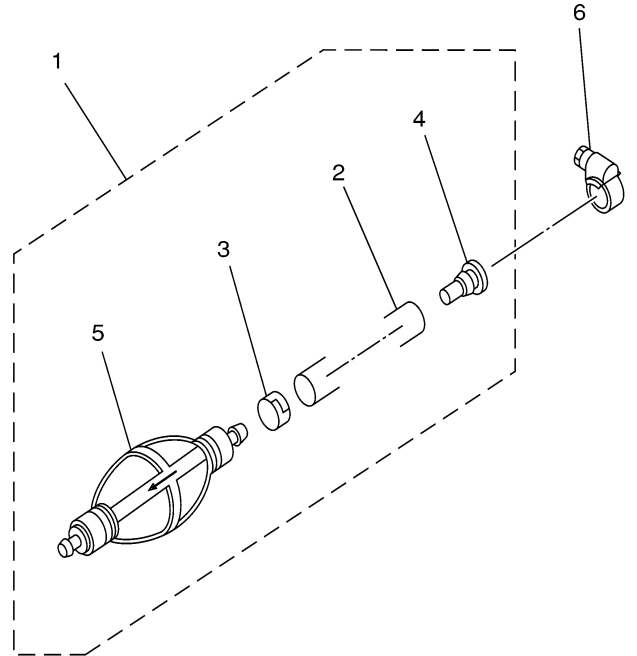
BOTTOM COWLING	D5-7
BRACKET 1	E2-3
BRACKET 2	E4-5
CONTROL	D8-9,E1
CRANKSHAFT PISTON	A9 ,B1
CYLINDER CRANKCASE 1	A7-8
CYLINDER CRANKCASE 2	B2
ELECTRICAL 1	C7
ELECTRICAL 2	C8-9
ELECTRICAL 3	D1-2
ELECTRICAL 4	D3
FUEL 1	C2-4
FUEL 2	C5
FUEL INJECTION NOZZLE	B5-6
FUEL INJECTION PUMP	B3-4
GENERATOR	C6
INTAKE	B7
LOWER CASING DRIVE 1 SX	F3-6
LOWER CASING DRIVE 2 SX	F7
LOWER CASING DRIVE 3 LX	F8-9,G1-2
LOWER CASING DRIVE 4 LX	G3
METER	A4
OIL PUMP	B8
OIL TANK	B9 ,C1
POWER TRIM & TILT ASSY	E6-9
REMOTE CONTROL ASSY 1	G7-9
REMOTE CONTROL ASSY 2	A1-3
REMOTE CONTROL BOX	G6
REPAIR KIT 1	A6
REPAIR KIT 2	A7
STARTING MOTOR	D4
STEERING GUIDE	
ATTACHMENT 1	G4
STEERING GUIDE	
ATTACHMENT 2	G5
SWITCH PANEL	A5
TOP COWLING	A5-6
UPPER CASING	F1-2
-MODELS IN THIS CATALOG	A8



66X2100-3100

FUEL 2

Ref. No.	Part Number	Description	Qty	Remarks
1	6Y2-24307-41-00	FUEL PIPE COMP. 2	1	AP
2	90445-13M01-00	. HOSE (L2050)	1	
3	6E5-24351-51-00	. BAND 1	1	
4	90480-06M19-00	. GROMMET	1	
5	6Y2-24360-52-00	. .PRIMER PUMP ASSY	1	
6	90450-10M07-00	HOSE CLAMP ASSY	1	AP



CONTENTS

BOTTOM COWLING	D5-7
BRACKET 1	E2-3
BRACKET 2	E4-5
CONTROL	D8-9,E1
CRANKSHAFT PISTON	A9 ,B1
CYLINDER CRANKCASE 1	A7-8
CYLINDER CRANKCASE 2	B2
ELECTRICAL 1	C7
ELECTRICAL 2	C8-9
ELECTRICAL 3	D1-2
ELECTRICAL 4	D3
FUEL 1	C2-4
FUEL 2	C5
FUEL INJECTION NOZZLE	B5-6
FUEL INJECTION PUMP	B3-4
GENERATOR	C6
INTAKE	B7
LOWER CASING DRIVE 1 SX	F3-6
LOWER CASING DRIVE 2 SX	F7
LOWER CASING DRIVE 3 LX	F8-9,G1-2
LOWER CASING DRIVE 4 LX	G3
METER	A4
OIL PUMP	B8
OIL TANK	B9 ,C1
POWER TRIM & TILT ASSY	E6-9
REMOTE CONTROL ASSY 1	G7-9
REMOTE CONTROL ASSY 2	A1-3
REMOTE CONTROL BOX	G6
REPAIR KIT 1	A6
REPAIR KIT 2	A7
STARTING MOTOR	D4
STEERING GUIDE	
ATTACHMENT 1	G4
STEERING GUIDE	
ATTACHMENT 2	G5
SWITCH PANEL	A5
TOP COWLING	A5-6
UPPER CASING	F1-2
-MODELS IN THIS CATALOG	A8



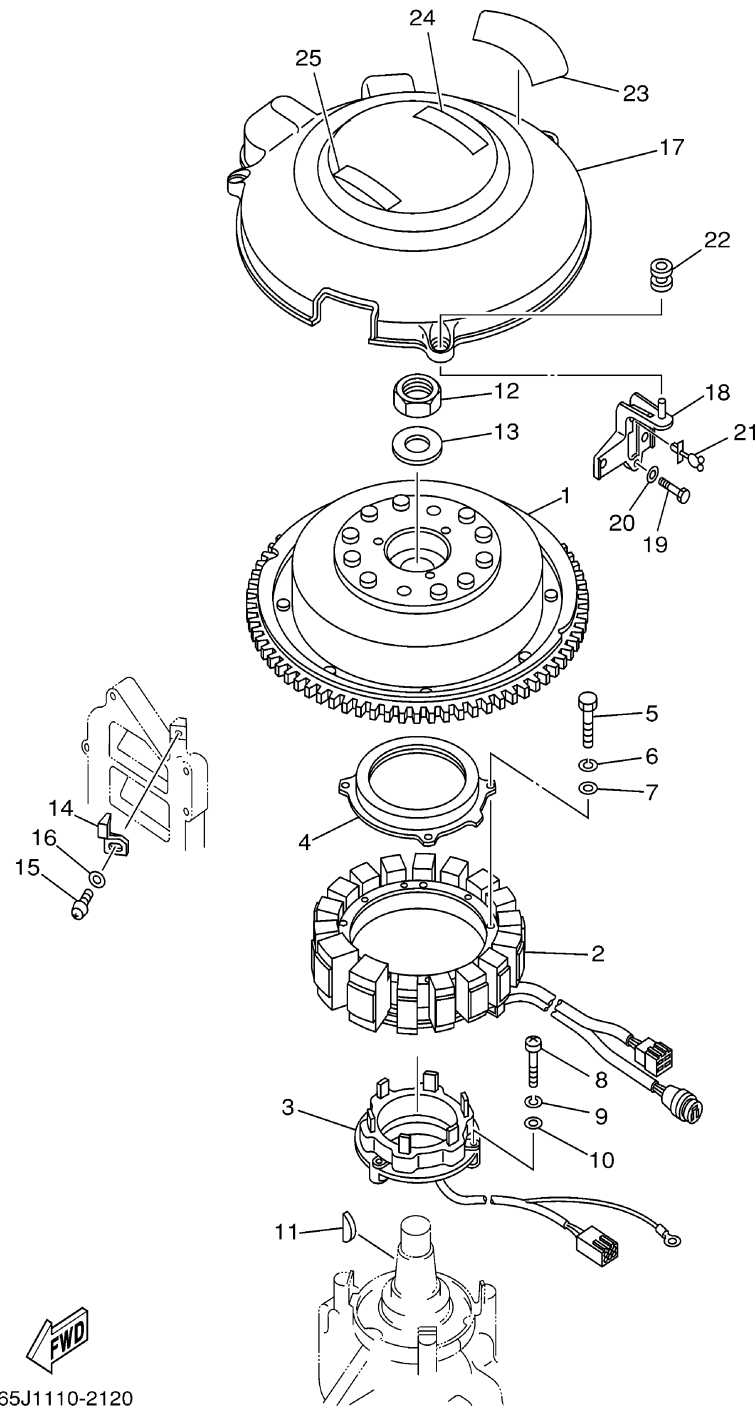
61A0200-0110

GENERATOR

Ref. No.	Part Number	Description	Qty	Remarks
1	61A-85550-01-00	ROTOR ASSY	1	
2	65L-85510-10-00	STATOR ASSY	1	
3	61A-85580-01-00	COIL, PULSER	1	
4	61A-83721-00-00	COVER	1	
5	97013-06035-00	BOLT	4	
6	92903-06100-00	WASHER, SPRING	4	
7	92903-06600-00	WASHER, PLATE	4	
8	97885-05030-00	SCREW, PAN HEAD	3	
9	92995-05100-00	WASHER	3	
10	92995-05600-00	WASHER	3	
11	90280-05015-00	KEY, WOODRUFF	1	
12	90170-24M22-00	NUT	1	
13	90201-25M02-00	WASHER, PLATE	1	
14	6E5-81332-00-00	PLATE, TIMING	1	
15	97885-06010-00	SCREW, PAN HEAD	1	
16	92995-06600-00	WASHER	1	
17	61A-81337-01-00	COVER, FLYWHEEL	1	
18	65L-81338-00-1S	CLAMP, LEAD	1	
19	97013-06025-00	BOLT	1	
20	92903-06600-00	WASHER, PLATE	1	
21	90464-18M46-00	CLAMP	1	
22	663-82317-01-00	DAMPER, IGNITION COIL	3	
23	65L-14488-00-00	LABEL, CAUTION	1	
24	6A1-83625-41-00	MARK 5	1	
25	6K1-83623-41-00	MARK 3	1	

CONTENTS

BOTTOM COWLING	D5-7
BRACKET 1	E2-3
BRACKET 2	E4-5
CONTROL	D8-9,E1
CRANKSHAFT PISTON	A9 ,B1
CYLINDER CRANKCASE 1	A7-8
CYLINDER CRANKCASE 2	B2
ELECTRICAL 1	C7
ELECTRICAL 2	C8-9
ELECTRICAL 3	D1-2
ELECTRICAL 4	D3
FUEL 1	C2-4
FUEL 2	C5
FUEL INJECTION NOZZLE	B5-6
FUEL INJECTION PUMP	B3-4
GENERATOR	C6
INTAKE	B7
LOWER CASING DRIVE 1 SX	F3-6
LOWER CASING DRIVE 2 SX	F7
LOWER CASING DRIVE 3 LX	F8-9,G1-2
LOWER CASING DRIVE 4 LX	G3
METER	A4
OIL PUMP	B8
OIL TANK	B9 ,C1
POWER TRIM & TILT ASSY	E6-9
REMOTE CONTROL ASSY 1	G7-9
REMOTE CONTROL ASSY 2	A1-3
REMOTE CONTROL BOX	G6
REPAIR KIT 1	A6
REPAIR KIT 2	A7
STARTING MOTOR	D4
STEERING GUIDE	
ATTACHMENT 1	G4
STEERING GUIDE	
ATTACHMENT 2	G5
SWITCH PANEL	A5
TOP COWLING	A5-6
UPPER CASING	F1-2
-MODELS IN THIS CATALOG	A8



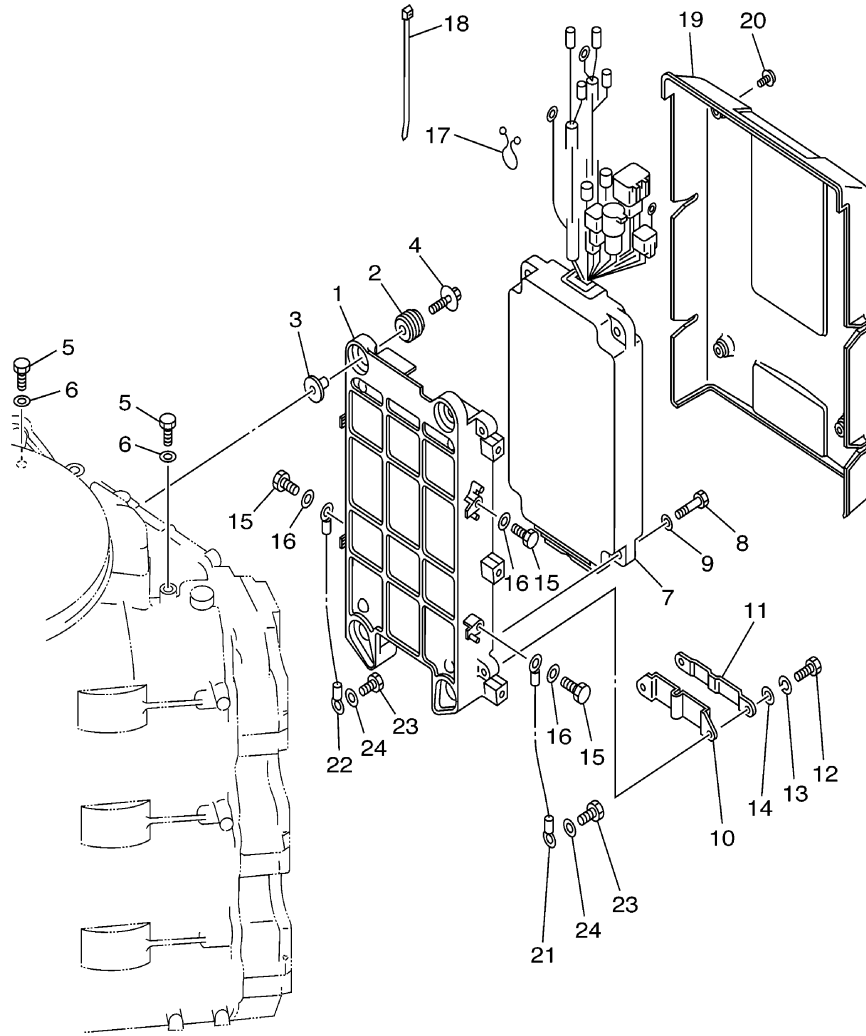
LX225, LX250

ELECTRICAL 1

Ref. No.	Part Number	Description	Qty	Remarks
1	61A-85542-01-94	BRACKET	1	
2	90480-09M12-00	GROMMET	4	
3	90387-06M03-00	COLLAR	4	
4	90119-06M28-00	BOLT, WITH WASHER	4	
5	97013-06016-00	BOLT	2	
6	92903-06600-00	WASHER, PLATE	2	
7	65J-85540-02-00	C.D.I. UNIT ASSY	1	UR SX225, SX250
	65L-85540-02-00	C.D.I. UNIT ASSY	1	UR LX225, LX250
8	97013-06025-00	BOLT	4	
9	92903-06600-00	WASHER, PLATE	4	
10	61A-85548-00-00	HOLDER	1	
11	61A-85525-00-00	COVER	1	
12	97095-06016-00	BOLT	2	
13	92995-06100-00	WASHER, SPRING	2	
14	92995-06600-00	WASHER	2	
15	97013-06014-00	BOLT	4	
16	92903-06600-00	WASHER, PLATE	4	
17	90464-15M11-00	CLAMP	1	
18	90465-11M52-00	CLAMP	1	
19	61A-85537-00-00	COVER	1	
20	90159-06M03-00	SCREW, WITH WASHER	4	
21	61A-82519-00-00	WIRE, EARTH LEAD	1	
22	6G0-82519-00-00	WIRE, EARTH LEAD	1	
23	97095-06012-00	BOLT	2	
24	92995-06600-00	WASHER	2	

CONTENTS

BOTTOM COWLING	D5-7
BRACKET 1	E2-3
BRACKET 2	E4-5
CONTROL	D8-9,E1
CRANKSHAFT PISTON	A9 ,B1
CYLINDER CRANKCASE 1	A7-8
CYLINDER CRANKCASE 2	B2
ELECTRICAL 1	C7
ELECTRICAL 2	C8-9
ELECTRICAL 3	D1-2
ELECTRICAL 4	D3
FUEL 1	C2-4
FUEL 2	C5
FUEL INJECTION NOZZLE	B5-6
FUEL INJECTION PUMP	B3-4
GENERATOR	C6
INTAKE	B7
LOWER CASING DRIVE 1 SX	F3-6
LOWER CASING DRIVE 2 SX	F7
LOWER CASING DRIVE 3 LX	F8-9,G1-2
LOWER CASING DRIVE 4 LX	G3
METER	A4
OIL PUMP	B8
OIL TANK	B9 ,C1
POWER TRIM & TILT ASSY	E6-9
REMOTE CONTROL ASSY 1	G7-9
REMOTE CONTROL ASSY 2	A1-3
REMOTE CONTROL BOX	G6
REPAIR KIT 1	A6
REPAIR KIT 2	A7
STARTING MOTOR	D4
STEERING GUIDE	
ATTACHMENT 1	G4
STEERING GUIDE	
ATTACHMENT 2	G5
SWITCH PANEL	A5
TOP COWLING	A5-6
UPPER CASING	F1-2
-MODELS IN THIS CATALOG	A8



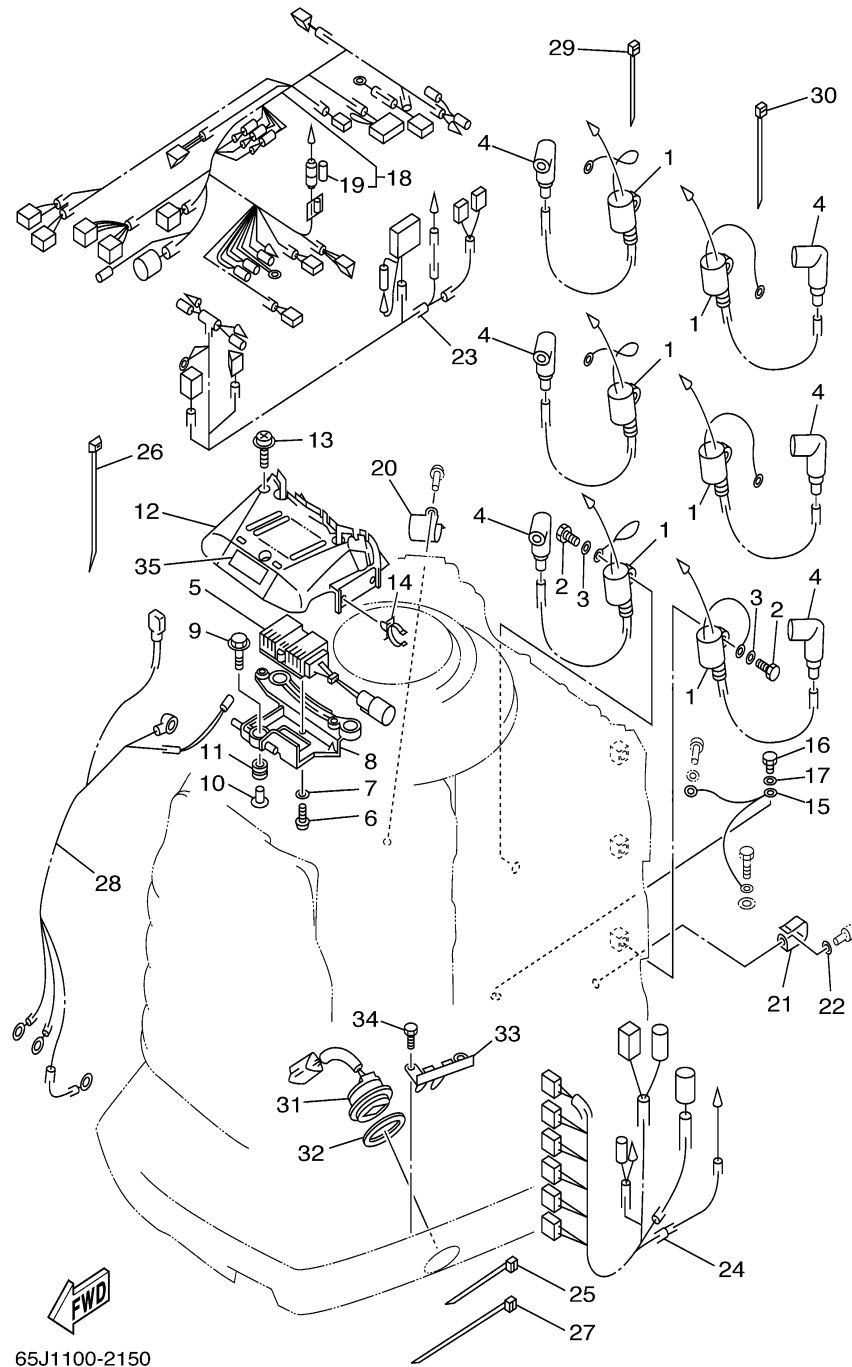
65J0010-9121

ELECTRICAL 2

Ref. No.	Part Number	Description	Qty	Remarks
1	61A-85570-00-00	IGNITION COIL ASSY	6	
2	97013-06020-00	BOLT	6	
3	92903-06600-00	WASHER, PLATE	6	
4	6E3-82370-21-00	PLUG CAP ASSY	6	
5	65L-85370-00-00	RESISTOR ASSY	1	
6	97885-05010-00	SCREW, PAN HEAD	2	
7	92995-05600-00	WASHER	2	
8	65L-81915-00-94	PLATE, REGULATOR FITTING	1	
9	90119-06M65-00	BOLT, WITH WASHER	3	
10	90387-06M60-00	COLLAR	3	
11	90480-10M23-00	GROMMET	3	
12	65L-81916-00-00	COVER, TERMINAL	1	
13	90159-06M03-00	SCREW, WITH WASHER	2	
14	90464-19M45-00	CLAMP	2	
15	61A-82531-00-00	WIRE, LEAD	1	
16	97095-06012-00	BOLT	1	
17	92995-06600-00	WASHER	1	
18	65L-82590-10-00	WIRE HARNESS ASSY	1	
19	705-82151-00-00	..FUZE (30A)	1	
20	90465-08M89-00	CLAMP	1	
21	90465-05M87-00	CLAMP	1	
22	92903-06600-00	WASHER, PLATE	1	
23	65L-8259M-00-00	WIRE HARNESS ASSY 2	1	
24	65L-8259N-01-00	WIRE HARNESS ASSY 3	1	
25	90465-11M10-00	CLAMP	1	
26	90465-11M52-00	CLAMP	1	
27	90465-13M18-00	CLAMP	1	
28	61A-82105-00-00	WIRE HARNESS	1	
29	90465-11M10-00	CLAMP	1	
30	90465-13M18-00	CLAMP	1	

CONTENTS

BOTTOM COWLING	D5-7
BRACKET 1	E2-3
BRACKET 2	E4-5
CONTROL	D8-9,E1
CRANKSHAFT PISTON	A9 ,B1
CYLINDER CRANKCASE 1	A7-8
CYLINDER CRANKCASE 2	B2
ELECTRICAL 1	C7
ELECTRICAL 2	C8-9
ELECTRICAL 3	D1-2
ELECTRICAL 4	D3
FUEL 1	C2-4
FUEL 2	C5
FUEL INJECTION NOZZLE	B5-6
FUEL INJECTION PUMP	B3-4
GENERATOR	C6
INTAKE	B7
LOWER CASING DRIVE 1 SX	F3-6
LOWER CASING DRIVE 2 SX	F7
LOWER CASING DRIVE 3 LX	F8-9,G1-2
LOWER CASING DRIVE 4 LX	G3
METER	A4
OIL PUMP	B8
OIL TANK	B9 ,C1
POWER TRIM & TILT ASSY	E6-9
REMOTE CONTROL ASSY 1	G7-9
REMOTE CONTROL ASSY 2	A1-3
REMOTE CONTROL BOX	G6
REPAIR KIT 1	A6
REPAIR KIT 2	A7
STARTING MOTOR	D4
STEERING GUIDE	
ATTACHMENT 1	G4
STEERING GUIDE	
ATTACHMENT 2	G5
SWITCH PANEL	A5
TOP COWLING	A5-6
UPPER CASING	F1-2
-MODELS IN THIS CATALOG	A8



65J1100-2150

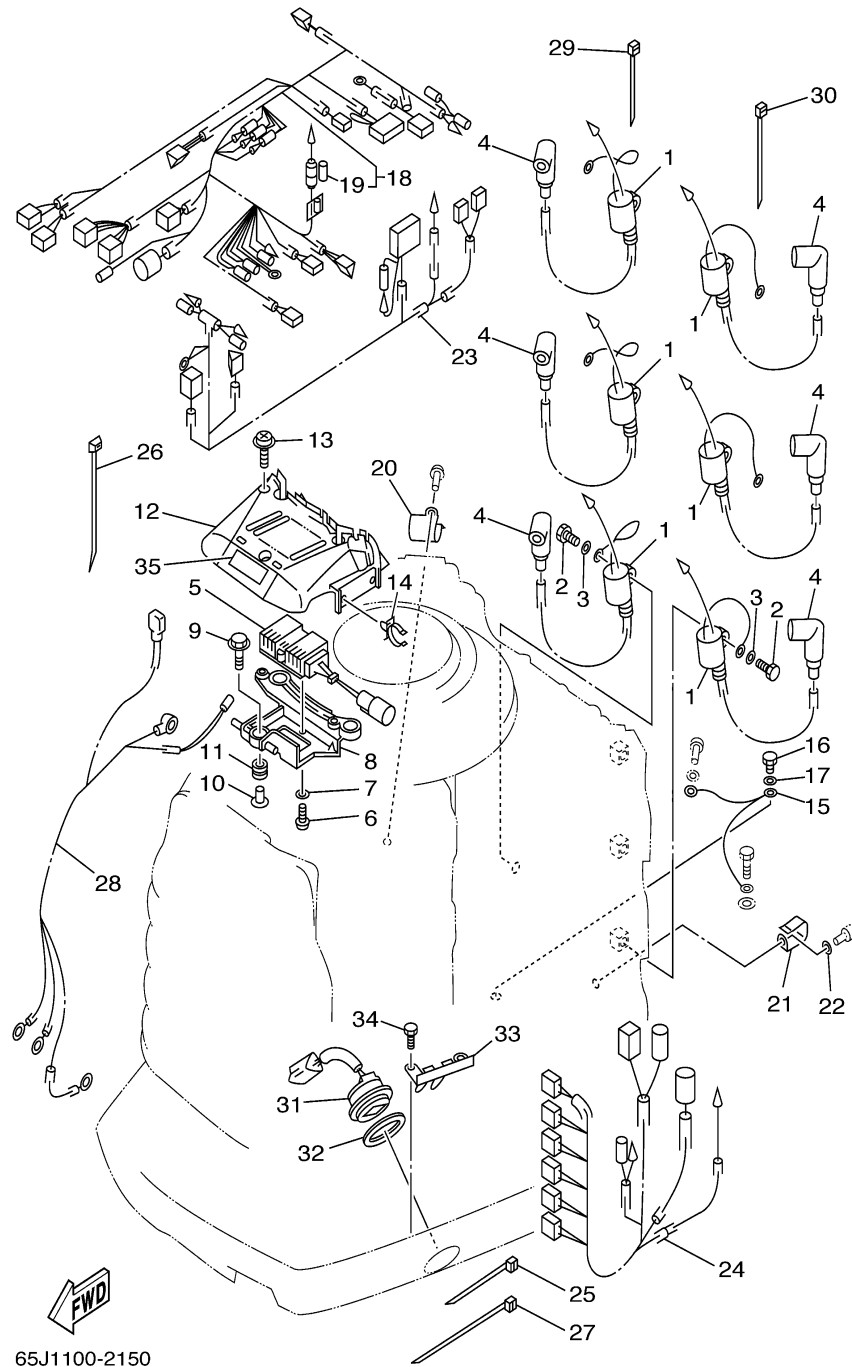
CONTINUED ON NEXT FRAME ►

ELECTRICAL 2

Ref. No.	Part Number	Description	Qty	Remarks
31	61A-82563-00-00	TRIM & TILT SWITCH ASSY ..	1	
32	6E5-82587-00-00	GASKET	1	
33	61A-83614-00-00	BRACKET	1	
34	97095-06012-00	BOLT	2	
35	65L-83625-40-00	MARK 5	1	

CONTENTS

BOTTOM COWLING	D5-7
BRACKET 1	E2-3
BRACKET 2	E4-5
CONTROL	D8-9,E1
CRANKSHAFT PISTON	A9 ,B1
CYLINDER CRANKCASE 1	A7-8
CYLINDER CRANKCASE 2	B2
ELECTRICAL 1	C7
ELECTRICAL 2	C8-9
ELECTRICAL 3	D1-2
ELECTRICAL 4	D3
FUEL 1	C2-4
FUEL 2	C5
FUEL INJECTION NOZZLE	B5-6
FUEL INJECTION PUMP	B3-4
GENERATOR	C6
INTAKE	B7
LOWER CASING DRIVE 1 SX	F3-6
LOWER CASING DRIVE 2 SX	F7
LOWER CASING DRIVE 3 LX	F8-9,G1-2
LOWER CASING DRIVE 4 LX	G3
METER	A4
OIL PUMP	B8
OIL TANK	B9 ,C1
POWER TRIM & TILT ASSY	E6-9
REMOTE CONTROL ASSY 1	G7-9
REMOTE CONTROL ASSY 2	A1-3
REMOTE CONTROL BOX	G6
REPAIR KIT 1	A6
REPAIR KIT 2	A7
STARTING MOTOR	D4
STEERING GUIDE	
ATTACHMENT 1	G4
STEERING GUIDE	
ATTACHMENT 2	G5
SWITCH PANEL	A5
TOP COWLING	A5-6
UPPER CASING	F1-2
-MODELS IN THIS CATALOG	A8



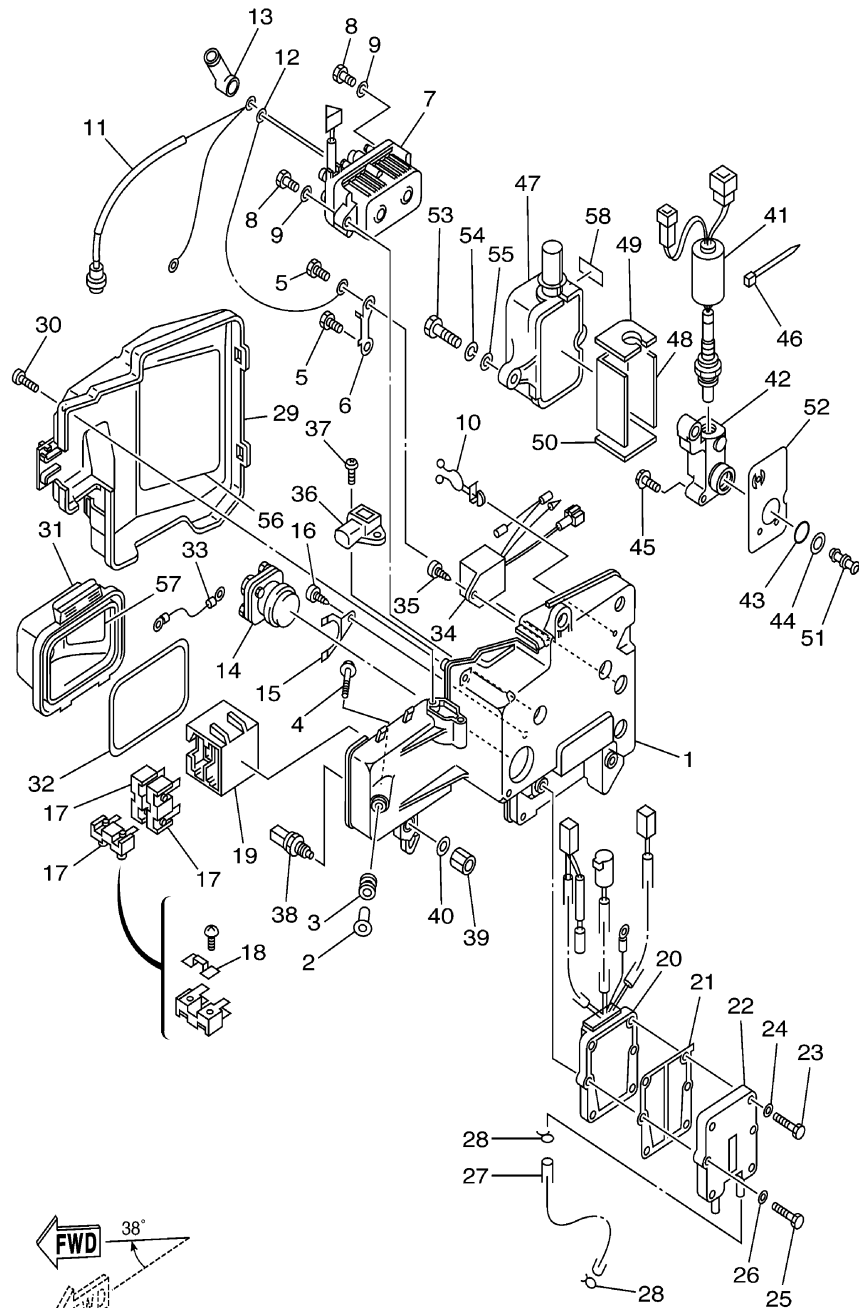
65J1100-2150

ELECTRICAL 3

Ref. No.	Part Number	Description	Qty	Remarks
1	65L-81948-00-00	BRACKET	1	
2	624-42542-00-00	PIPE	5	
3	6A0-82317-00-00	DAMPER, IGNITION COIL	5	
4	90119-06M65-00	BOLT, WITH WASHER	5	
5	97013-06014-00	BOLT	2	
6	61A-87149-00-00	CONNECTOR	1	
7	61A-81950-00-00	RELAY ASSY	1	
8	97013-06030-00	BOLT	2	
9	92903-06600-00	WASHER, PLATE	2	
10	90464-18M46-00	CLAMP	1	
11	61A-81949-10-00	WIRE, LEAD	1	
12	61A-81949-00-00	WIRE, LEAD	1	
13	6G5-82119-00-00	COVER, LEAD WIRE	1	
14	61A-81941-00-00	STARTER RELAY ASSY	1	
15	61A-81952-00-00	HOLDER, RELAY	1	
16	97780-50612-00	SCREW, TAPPING	1	
17	61A-82150-00-00	FUSE HOLDER ASSY	3	
18	61A-82151-00-00	.FUSE (12V-80A)	1	
19	61A-82153-00-00	STAY, FUSE HOLDER	1	
20	61A-81960-02-00	RECTIFIER & REGULATOR ASSY	1	
21	69J-81975-A0-00	PLATE, RECTIFIER FITTING	1	
22	69J-81972-01-1S	COVER, RECTIFIER	1	
23	97013-06025-00	BOLT	4	
24	92903-06600-00	WASHER, PLATE	4	
25	97013-06030-00	BOLT	2	
26	92903-06600-00	WASHER, PLATE	2	
27	90445-09224-00	HOSE (L270)	1	
28	90467-08004-00	CLIP	2	
29	65L-81942-00-00	COVER	1	

CONTENTS

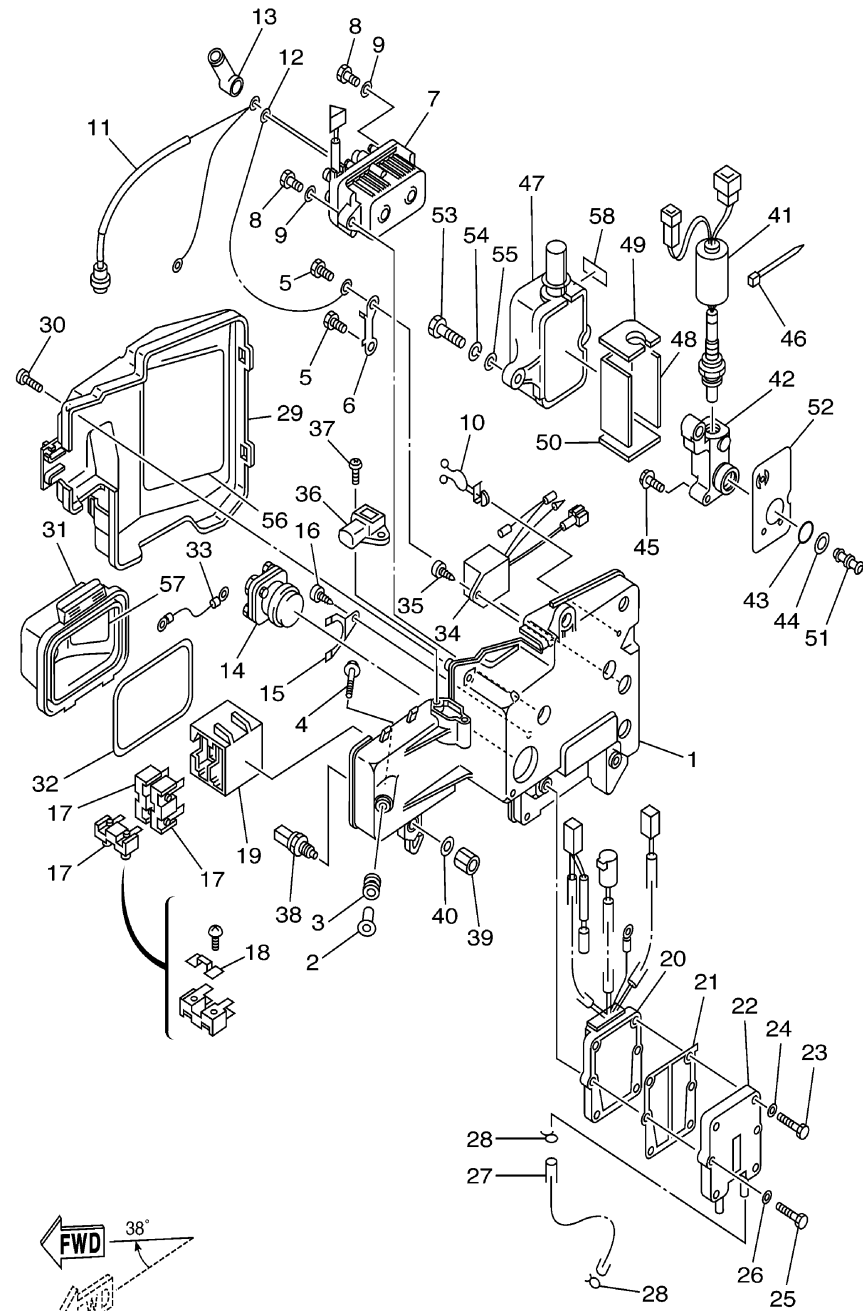
BOTTOM COWLING	D5-7
BRACKET 1	E2-3
BRACKET 2	E4-5
CONTROL	D8-9,E1
CRANKSHAFT PISTON	A9 ,B1
CYLINDER CRANKCASE 1	A7-8
CYLINDER CRANKCASE 2	B2
ELECTRICAL 1	C7
ELECTRICAL 2	C8-9
ELECTRICAL 3	D1-2
ELECTRICAL 4	D3
FUEL 1	C2-4
FUEL 2	C5
FUEL INJECTION NOZZLE	B5-6
FUEL INJECTION PUMP	B3-4
GENERATOR	C6
INTAKE	B7
LOWER CASING DRIVE 1 SX	F3-6
LOWER CASING DRIVE 2 SX	F7
LOWER CASING DRIVE 3 LX	F8-9,G1-2
LOWER CASING DRIVE 4 LX	G3
METER	A4
OIL PUMP	B8
OIL TANK	B9 ,C1
POWER TRIM & TILT ASSY	E6-9
REMOTE CONTROL ASSY 1	G7-9
REMOTE CONTROL ASSY 2	A1-3
REMOTE CONTROL BOX	G6
REPAIR KIT 1	A6
REPAIR KIT 2	A7
STARTING MOTOR	D4
STEERING GUIDE	
ATTACHMENT 1	G4
STEERING GUIDE	
ATTACHMENT 2	G5
SWITCH PANEL	A5
TOP COWLING	A5-6
UPPER CASING	F1-2
-MODELS IN THIS CATALOG	A8



65J2100-3160

CONTINUED ON NEXT FRAME >

ELECTRICAL 3



65J2100-3160

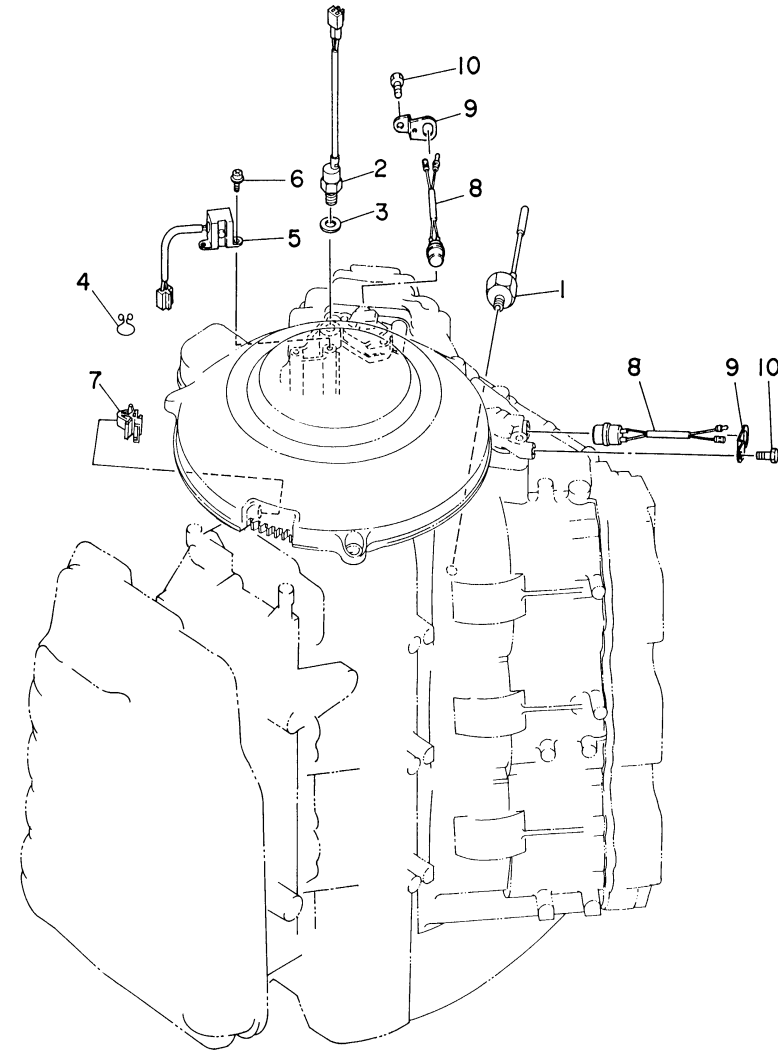
Ref. No.	Part Number	Description	Qty	Remarks
30	90169-05M00-00	SCREW, TRUSS HEAD TAPPING	2	
31	61A-82154-01-00	CASE	1	
32	61A-82176-00-00	DAMPER	1	
33	61A-82117-00-00	WIRE, LEAD	1	
34	65L-81950-01-00	RELAY ASSY	1	
35	97780-60625-00	SCREW, TAPPING	1	
36	67H-82380-00-00	SENSOR, PRESSURE	1	
37	97780-60625-00	SCREW, TAPPING	2	
38	65L-85886-00-00	THERMOSENSOR	1	
39	90170-12M36-00	NUT	1	
40	90201-12M34-00	WASHER, PLATE	1	
41	65L-8592A-01-00	SENSOR	1	
42	69L-11395-00-00	HOLDER	1	
43	93210-17003-00	O-RING	1	
44	69L-11397-00-00	GASKET	1	
45	90119-06M74-00	BOLT, WITH WASHER	3	
46	90465-13M18-00	CLAMP	1	
47	65L-85832-00-00	CASE, UNDER	1	
48	65L-11354-00-00	GASKET	1	
49	65L-1131N-00-00	GASKET, HOLDER	1	
50	65L-11396-00-00	GASKET, HOLDER	1	
51	65L-11353-11-00	JOINT	1	
52	69L-11357-00-00	SEAL, CYLINDER 3	1	
53	97095-06030-00	BOLT	2	
54	92995-06100-00	WASHER, SPRING	2	
55	92995-06600-00	WASHER	2	
56	65L-81919-00-00	GRAPHIC, REGULATOR	1	
57	61A-81919-00-00	GRAPHIC, REGULATOR	1	
58	65L-83625-40-00	MARK 5	1	

CONTENTS

BOTTOM COWLING	D5-7
BRACKET 1	E2-3
BRACKET 2	E4-5
CONTROL	D8-9,E1
CRANKSHAFT PISTON	A9 ,B1
CYLINDER CRANKCASE 1	A7-8
CYLINDER CRANKCASE 2	B2
ELECTRICAL 1	C7
ELECTRICAL 2	C8-9
ELECTRICAL 3	D1-2
ELECTRICAL 4	D3
FUEL 1	C2-4
FUEL 2	C5
FUEL INJECTION NOZZLE	B5-6
FUEL INJECTION PUMP	B3-4
GENERATOR	C6
INTAKE	B7
LOWER CASING DRIVE 1 SX	F3-6
LOWER CASING DRIVE 2 SX	F7
LOWER CASING DRIVE 3 LX	F8-9,G1-2
LOWER CASING DRIVE 4 LX	G3
METER	A4
OIL PUMP	B8
OIL TANK	B9 ,C1
POWER TRIM & TILT ASSY	E6-9
REMOTE CONTROL ASSY 1	G7-9
REMOTE CONTROL ASSY 2	A1-3
REMOTE CONTROL BOX	G6
REPAIR KIT 1	A6
REPAIR KIT 2	A7
STARTING MOTOR	D4
STEERING GUIDE ATTACHMENT 1	G4
STEERING GUIDE ATTACHMENT 2	G5
SWITCH PANEL	A5
TOP COWLING	A5-6
UPPER CASING	F1-2
-MODELS IN THIS CATALOG	A8

ELECTRICAL 4

Ref. No.	Part Number	Description	Qty	Remarks
1	61A-85780-00-00	SENSOR, KNOCK	1	
2	61A-85790-00-00	THERMOSENSOR ASSY	1	
3	92990-10600-00	WASHER, PLATE	1	
4	90464-12M48-00	CLAMP	1	
5	61A-85895-00-00	CRANK POSITION SENDER ..	1	
6	97885-05012-00	SCREW, PAN HEAD	2	
7	90464-09M47-00	CLAMP	1	
8	61A-82560-00-00	THERMO SWITCH ASSY	2	
9	61A-8252U-00-00	COVER	2	
10	97080-06012-00	BOLT	2	



CONTENTS

BOTTOM COWLING	D5-7
BRACKET 1	E2-3
BRACKET 2	E4-5
CONTROL	D8-9,E1
CRANKSHAFT PISTON	A9 ,B1
CYLINDER CRANKCASE 1	A7-8
CYLINDER CRANKCASE 2	B2
ELECTRICAL 1	C7
ELECTRICAL 2	C8-9
ELECTRICAL 3	D1-2
ELECTRICAL 4	D3
FUEL 1	C2-4
FUEL 2	C5
FUEL INJECTION NOZZLE	B5-6
FUEL INJECTION PUMP	B3-4
GENERATOR	C6
INTAKE	B7
LOWER CASING DRIVE 1 SX	F3-6
LOWER CASING DRIVE 2 SX	F7
LOWER CASING DRIVE 3 LX	F8-9,G1-2
LOWER CASING DRIVE 4 LX	G3
METER	A4
OIL PUMP	B8
OIL TANK	B9 ,C1
POWER TRIM & TILT ASSY	E6-9
REMOTE CONTROL ASSY 1	G7-9
REMOTE CONTROL ASSY 2	A1-3
REMOTE CONTROL BOX	G6
REPAIR KIT 1	A6
REPAIR KIT 2	A7
STARTING MOTOR	D4
STEERING GUIDE	
ATTACHMENT 1	G4
STEERING GUIDE	
ATTACHMENT 2	G5
SWITCH PANEL	A5
TOP COWLING	A5-6
UPPER CASING	F1-2
-MODELS IN THIS CATALOG	A8



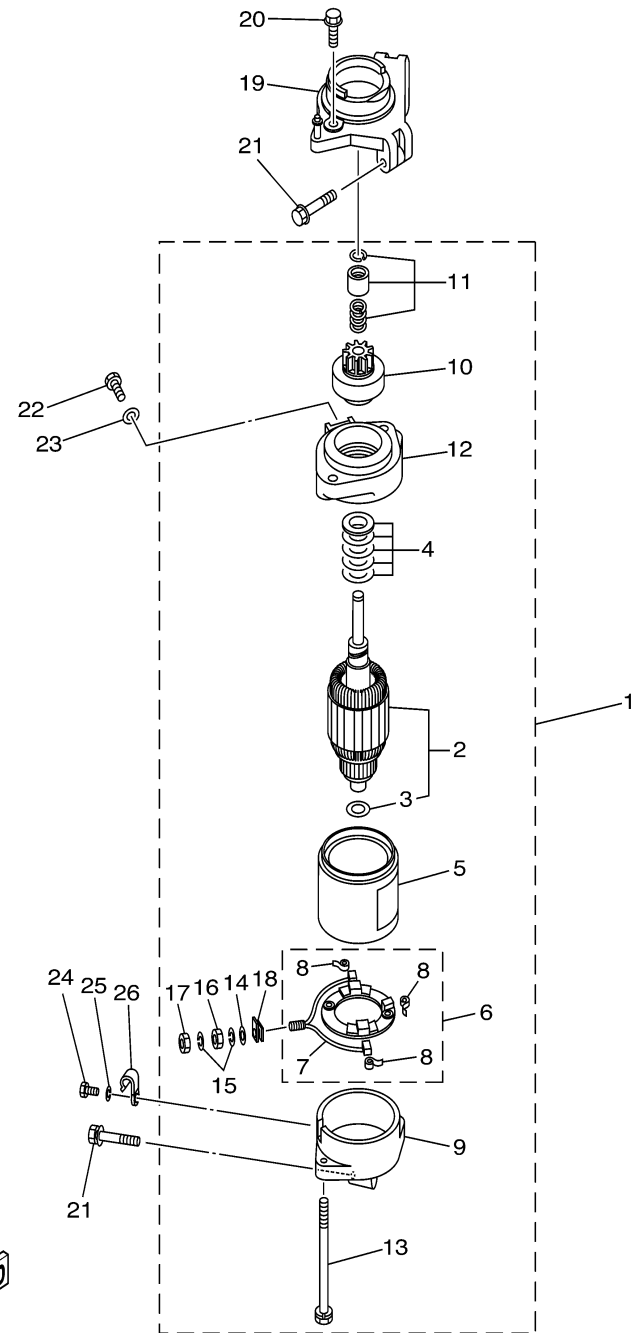
65J0010-7150

STARTING MOTOR

Ref. No.	Part Number	Description	Qty	Remarks
1	61A-81800-01-00	STARTING MOTOR ASSY	1	
2	61A-81850-01-00	..ARMATURE ASSY	1	
3	61A-81824-00-00	..WASHER 2	1	
4	61A-81809-00-00	..WASHER KIT	1	
5	6K7-81810-00-00	..STATOR ASSY	1	
6	61A-81840-00-00	..BRUSH HOLDER ASSY	1	
7	6K7-81801-10-00	...BRUSH SET	1	
8	6E5-81813-10-00	...SPRING, BRUSH	3	
9	61A-81820-00-00	..REAR BRACKET ASSY	1	
10	61A-81807-00-00	..GEAR ASSY, STARTING MOTOR	1	
11	61H-81857-00-00	..RETAINER	1	
12	61A-81830-00-00	..FRONT BRACKET ASSY	1	
13	6K7-81826-10-00	..BOLT	2	
14	6E5-8182E-10-00	..WASHER	1	
15	6E5-8182F-10-00	..WASHER	2	
16	6E5-8182A-10-00	..NUT	1	
17	6E5-8182K-10-00	..NUT	1	
18	6K7-8182G-10-00	..BUSH, TERMINAL	1	
19	61A-81822-00-94	BRACKET, STARTING MOTOR	1	
20	90119-08M76-00	BOLT, WITH WASHER	2	
21	90119-08M77-00	BOLT, WITH WASHER	3	
22	97095-08016-00	BOLT	1	
23	92995-08600-00	WASHER	1	
24	97095-06012-00	BOLT	1	
25	92995-06600-00	WASHER	1	
26	90465-06M86-00	CLAMP	1	

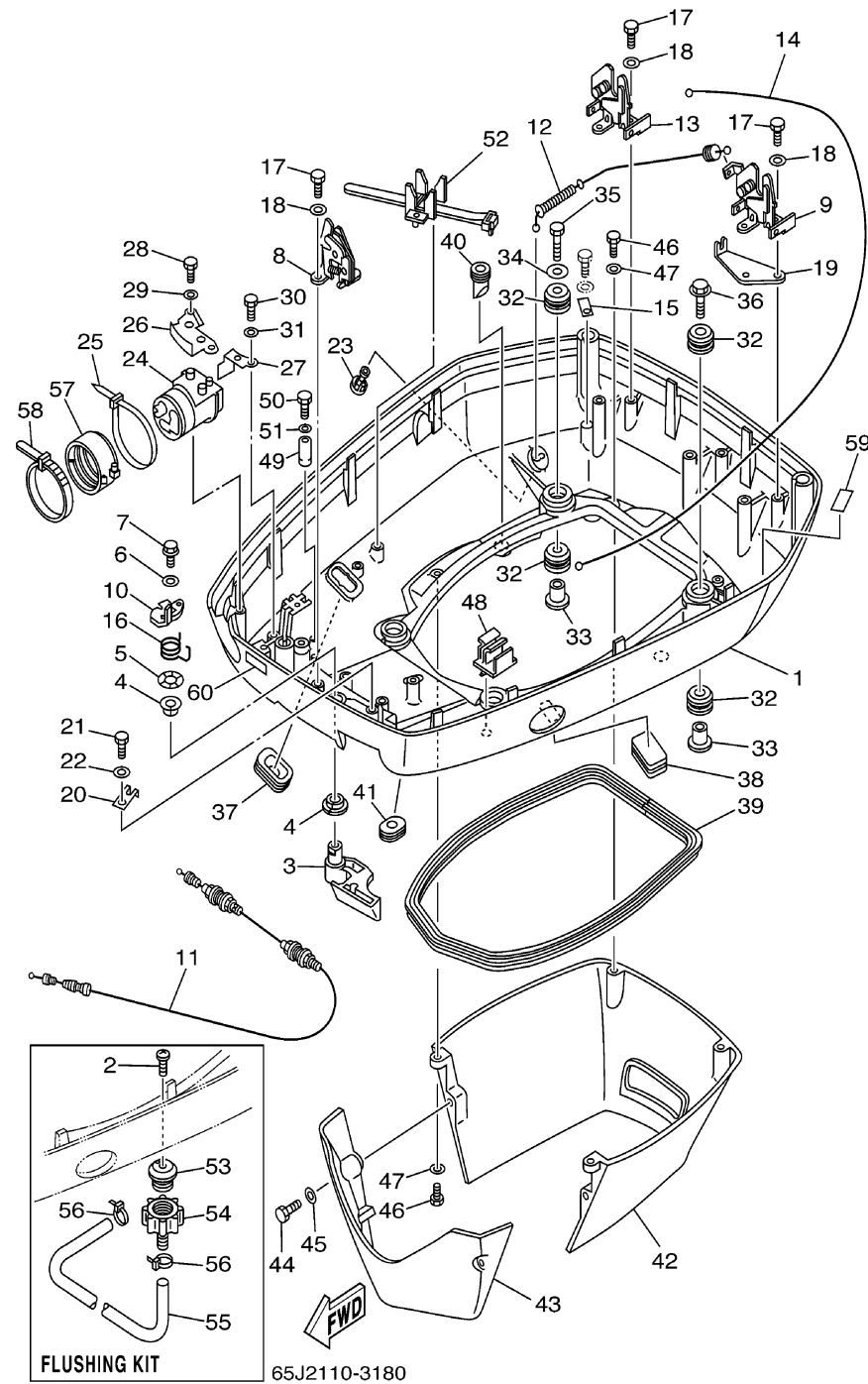
CONTENTS

BOTTOM COWLING	D5-7
BRACKET 1	E2-3
BRACKET 2	E4-5
CONTROL	D8-9,E1
CRANKSHAFT PISTON	A9 ,B1
CYLINDER CRANKCASE 1	A7-8
CYLINDER CRANKCASE 2	B2
ELECTRICAL 1	C7
ELECTRICAL 2	C8-9
ELECTRICAL 3	D1-2
ELECTRICAL 4	D3
FUEL 1	C2-4
FUEL 2	C5
FUEL INJECTION NOZZLE	B5-6
FUEL INJECTION PUMP	B3-4
GENERATOR	C6
INTAKE	B7
LOWER CASING DRIVE 1 SX	F3-6
LOWER CASING DRIVE 2 SX	F7
LOWER CASING DRIVE 3 LX	F8-9,G1-2
LOWER CASING DRIVE 4 LX	G3
METER	A4
OIL PUMP	B8
OIL TANK	B9 ,C1
POWER TRIM & TILT ASSY	E6-9
REMOTE CONTROL ASSY 1	G7-9
REMOTE CONTROL ASSY 2	A1-3
REMOTE CONTROL BOX	G6
REPAIR KIT 1	A6
REPAIR KIT 2	A7
STARTING MOTOR	D4
STEERING GUIDE ATTACHMENT 1	G4
STEERING GUIDE ATTACHMENT 2	G5
SWITCH PANEL	A5
TOP COWLING	A5-6
UPPER CASING	F1-2
-MODELS IN THIS CATALOG	A8



66X2100-3160

BOTTOM COWLING



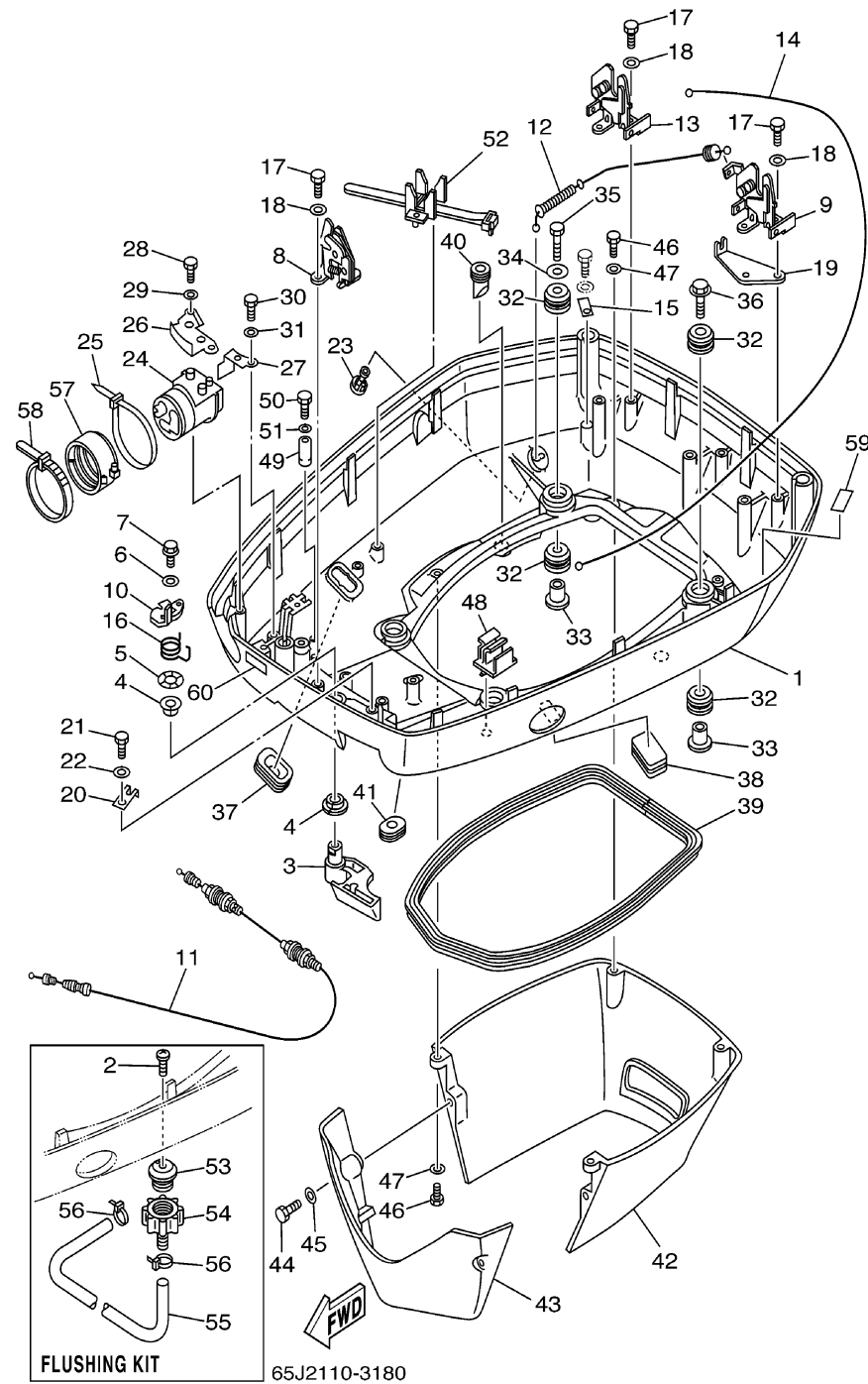
Ref. No.	Part Number	Description	Qty	Remarks
1	61A-42711-05-8D	COWLING, BOTTOM	1	
2	90169-05M00-00	SCREW, TRUSS HEAD TAPPING	1	FLUSHING KIT
3	61A-42815-01-8D	LEVER, CLAMP	1	
4	90386-13M88-00	BUSH	2	
5	90206-13M10-00	WASHER, WAVE	1	
6	90201-06M30-00	WASHER, PLATE	1	
7	90109-06M50-00	BOLT	1	
8	6R3-42824-00-00	BASE, CLAMP LEVER	1	
9	6R3-42811-01-00	STAY	1	
10	6R3-42816-00-00	LEVER, CLAMP	1	
11	6R3-42850-10-00	WIRE COMPLETE	1	
12	61A-42850-01-00	WIRE COMPLETE	1	
13	6R3-42811-10-00	STAY	1	
14	61A-42850-20-00	WIRE COMPLETE	1	
15	682-44117-00-00	BRACKET	1	
16	6R3-42813-00-00	SPRING, CLAMP LEVER	1	
17	97095-06016-00	BOLT	6	
18	92995-06600-00	WASHER	6	
19	6N7-42828-00-00	PLATE, CLAMP	1	
20	6R3-42828-00-00	PLATE, CLAMP	1	
21	97095-06010-00	BOLT	1	
22	92995-06600-00	WASHER	1	
23	6E5-44391-00-00	NIPPLE, HOSE	1	
24	61A-42725-31-00	GROMMET	1	
25	90465-13M30-00	CLAMP	1	
26	61A-42738-02-5B	PLATE, FITTING	1	
27	64D-42738-10-5B	PLATE, FITTING	1	
28	97095-06016-00	BOLT	2	
29	92995-06600-00	WASHER	2	

CONTENTS

BOTTOM COWLING	D5-7
BRACKET 1	E2-3
BRACKET 2	E4-5
CONTROL	D8-9,E1
CRANKSHAFT PISTON	A9 ,B1
CYLINDER CRANKCASE 1	A7-8
CYLINDER CRANKCASE 2	B2
ELECTRICAL 1	C7
ELECTRICAL 2	C8-9
ELECTRICAL 3	D1-2
ELECTRICAL 4	D3
FUEL 1	C2-4
FUEL 2	C5
FUEL INJECTION NOZZLE	B5-6
FUEL INJECTION PUMP	B3-4
GENERATOR	C6
INTAKE	B7
LOWER CASING DRIVE 1 SX	F3-6
LOWER CASING DRIVE 2 SX	F7
LOWER CASING DRIVE 3 LX	F8-9,G1-2
LOWER CASING DRIVE 4 LX	G3
METER	A4
OIL PUMP	B8
OIL TANK	B9 ,C1
POWER TRIM & TILT ASSY	E6-9
REMOTE CONTROL ASSY 1	G7-9
REMOTE CONTROL ASSY 2	A1-3
REMOTE CONTROL BOX	G6
REPAIR KIT 1	A6
REPAIR KIT 2	A7
STARTING MOTOR	D4
STEERING GUIDE ATTACHMENT 1	G4
STEERING GUIDE ATTACHMENT 2	G5
SWITCH PANEL	A5
TOP COWLING	A5-6
UPPER CASING	F1-2
-MODELS IN THIS CATALOG	A8

CONTINUED ON NEXT FRAME ➤

BOTTOM COWLING



Ref. No.	Part Number	Description	Qty	Remarks
30	97095-06012-00	BOLT	1	
31	92995-06600-00	WASHER	1	
32	90480-22M81-00	GROMMET	8	
33	90387-08M37-00	COLLAR	4	
34	90201-08M54-00	WASHER, PLATE	1	
35	97075-08035-00	BOLT	1	
36	90119-08M22-00	BOLT, WITH WASHER	3	
37	688-42726-10-00	GROMMET	1	
38	6H4-42726-00-00	GROMMET	1	
39	61A-42716-00-00	RUBBER, SEAL 1	1	
40	61A-42717-00-00	RUBBER, SEAL 2	4	
41	61A-42727-00-00	GROMMET	1	
42	61A-42741-01-8D	APRON	1	
43	61A-42771-01-8D	APRON	1	
44	97095-06030-00	BOLT	2	
45	92995-06600-00	WASHER	2	
46	97095-06020-00	BOLT	4	
47	92995-06600-00	WASHER	4	
48	6E5-82594-00-00	CLAMP	1	
49	6E5-82588-00-00	PLATE	1	
50	97095-06020-00	BOLT	1	
51	92995-06600-00	WASHER	1	
52	688-82594-00-00	CLAMP	1	
53	6R3-12572-00-00	ADAPTER	1	FLUSHING KIT
54	6R3-12580-00-00	JOINT ASSY	1	FLUSHING KIT
55	90445-11M36-00	HOSE (L: 620)	1	FLUSHING KIT
56	90465-11M10-00	CLAMP	2	FLUSHING KIT
57	68F-42753-00-00	FASTNER	1	
58	90464-20258-00	CLAMP	1	
59	6K7-42791-00-00	MARK 1	1	

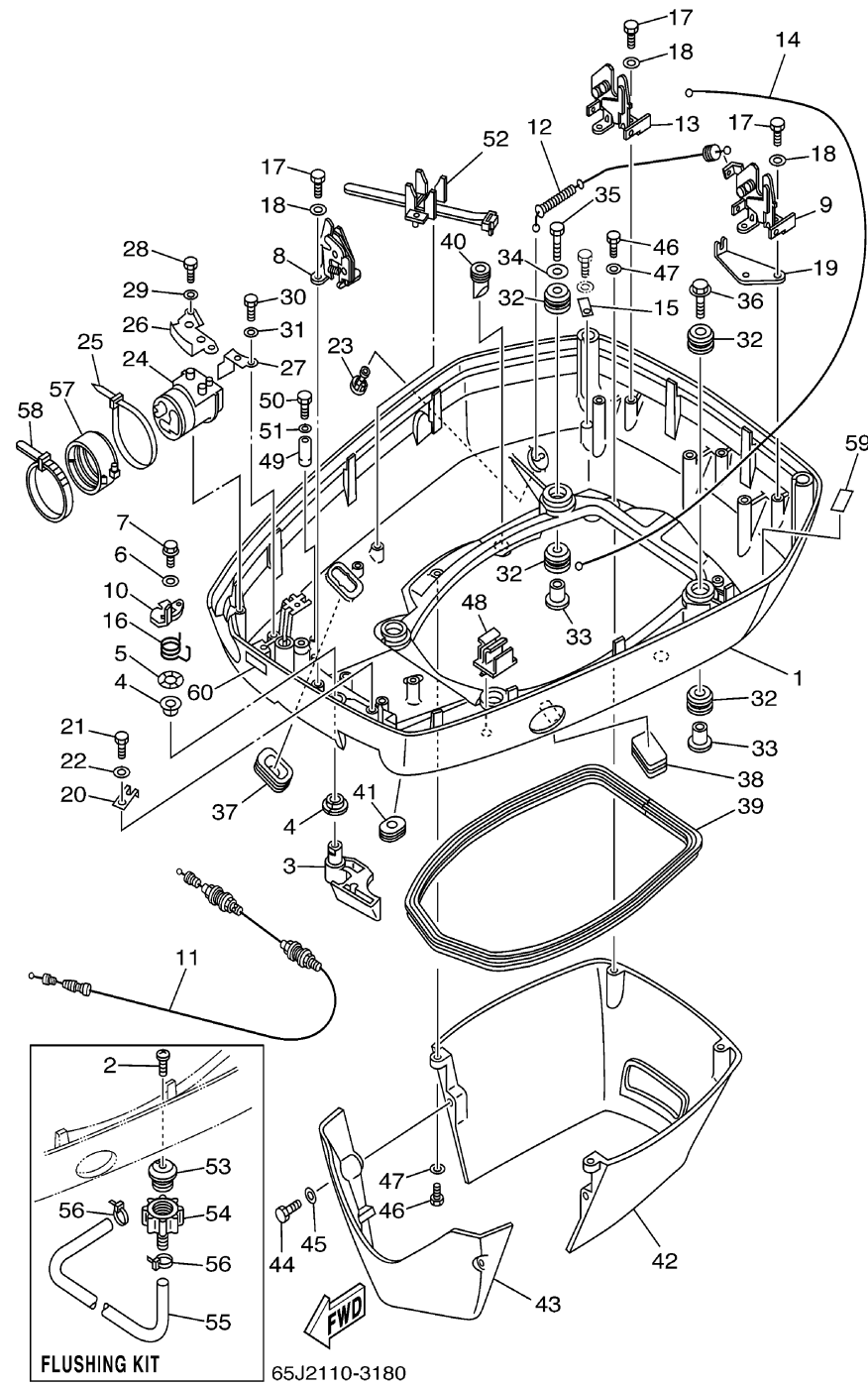
CONTENTS

BOTTOM COWLING	D5-7
BRACKET 1	E2-3
BRACKET 2	E4-5
CONTROL	D8-9,E1
CRANKSHAFT PISTON	A9 ,B1
CYLINDER CRANKCASE 1	A7-8
CYLINDER CRANKCASE 2	B2
ELECTRICAL 1	C7
ELECTRICAL 2	C8-9
ELECTRICAL 3	D1-2
ELECTRICAL 4	D3
FUEL 1	C2-4
FUEL 2	C5
FUEL INJECTION NOZZLE	B5-6
FUEL INJECTION PUMP	B3-4
GENERATOR	C6
INTAKE	B7
LOWER CASING DRIVE 1 SX	F3-6
LOWER CASING DRIVE 2 SX	F7
LOWER CASING DRIVE 3 LX	F8-9,G1-2
LOWER CASING DRIVE 4 LX	G3
METER	A4
OIL PUMP	B8
OIL TANK	B9 ,C1
POWER TRIM & TILT ASSY	E6-9
REMOTE CONTROL ASSY 1	G7-9
REMOTE CONTROL ASSY 2	A1-3
REMOTE CONTROL BOX	G6
REPAIR KIT 1	A6
REPAIR KIT 2	A7
STARTING MOTOR	D4
STEERING GUIDE ATTACHMENT 1	G4
STEERING GUIDE ATTACHMENT 2	G5
SWITCH PANEL	A5
TOP COWLING	A5-6
UPPER CASING	F1-2
-MODELS IN THIS CATALOG	A8

CONTINUED ON NEXT FRAME ►

BOTTOM COWLING

Ref. No.	Part Number	Description	Qty	Remarks
60	65L-2415E-40-00	LABEL, CAUTION	1	



CONTENTS

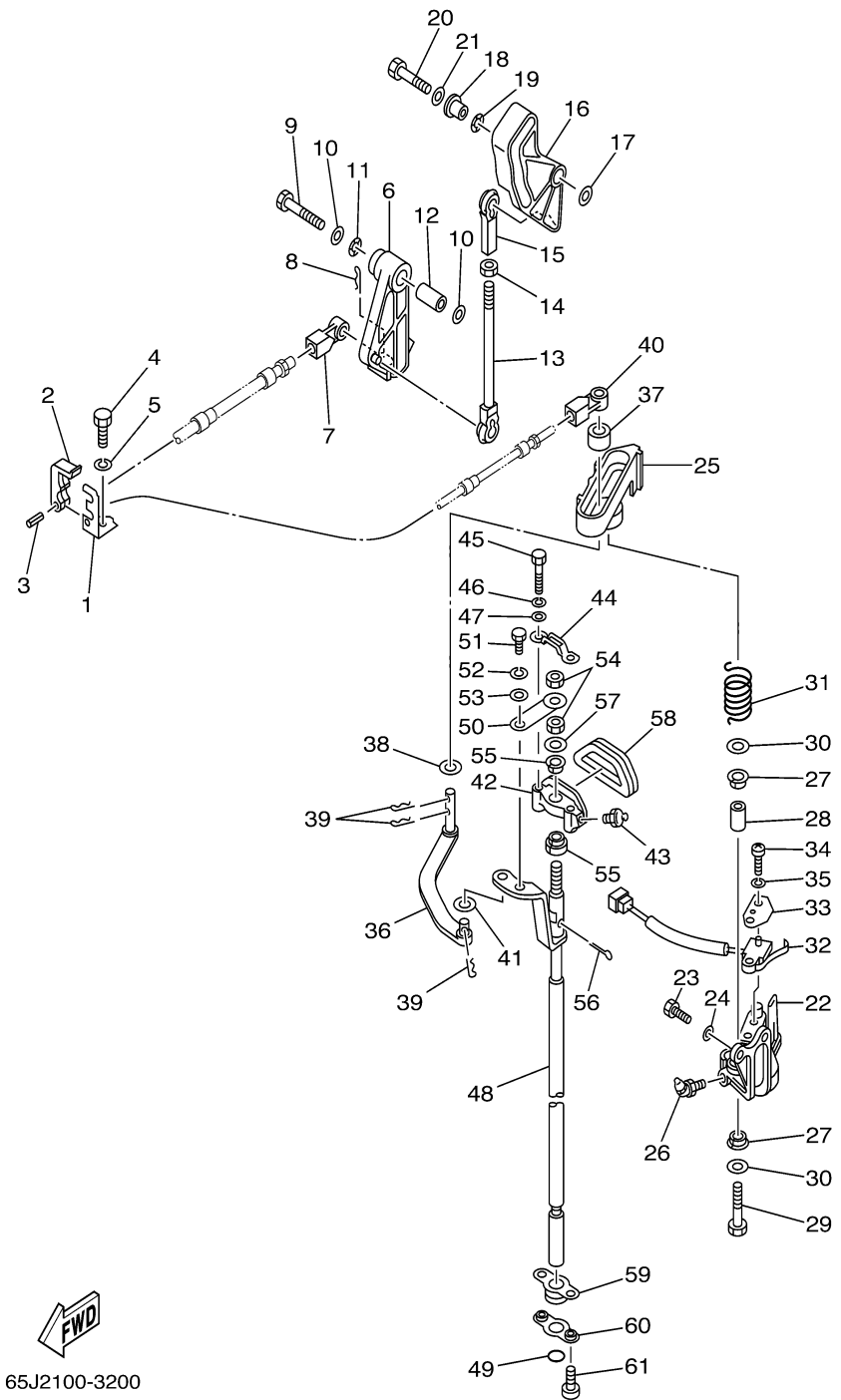
BOTTOM COWLING	D5-7
BRACKET 1	E2-3
BRACKET 2	E4-5
CONTROL	D8-9,E1
CRANKSHAFT PISTON	A9 ,B1
CYLINDER CRANKCASE 1	A7-8
CYLINDER CRANKCASE 2	B2
ELECTRICAL 1	C7
ELECTRICAL 2	C8-9
ELECTRICAL 3	D1-2
ELECTRICAL 4	D3
FUEL 1	C2-4
FUEL 2	C5
FUEL INJECTION NOZZLE	B5-6
FUEL INJECTION PUMP	B3-4
GENERATOR	C6
INTAKE	B7
LOWER CASING DRIVE 1 SX	F3-6
LOWER CASING DRIVE 2 SX	F7
LOWER CASING DRIVE 3 LX	F8-9,G1-2
LOWER CASING DRIVE 4 LX	G3
METER	A4
OIL PUMP	B8
OIL TANK	B9 ,C1
POWER TRIM & TILT ASSY	E6-9
REMOTE CONTROL ASSY 1	G7-9
REMOTE CONTROL ASSY 2	A1-3
REMOTE CONTROL BOX	G6
REPAIR KIT 1	A6
REPAIR KIT 2	A7
STARTING MOTOR	D4
STEERING GUIDE	
ATTACHMENT 1	G4
STEERING GUIDE	
ATTACHMENT 2	G5
SWITCH PANEL	A5
TOP COWLING	A5-6
UPPER CASING	F1-2
-MODELS IN THIS CATALOG	A8

CONTROL

Ref. No.	Part Number	Description	Qty	Remarks
1	65L-48531-00-00	BRACKET, REMOTE CONTROL 1	1	
2	663-48538-00-00	CLAMP, CABLE 1	1	
3	91690-30010-00	PIN, SPRING	1	
4	97095-08020-00	BOLT	1	
5	92995-08100-00	WASHER	1	
6	65L-41632-01-00	LEVER, MAGNETO CONTROL .	1	
7	6E5-48344-00-00	CABLE END, REMOTE CONTROL	1	
8	90468-18008-00	CLIP	1	
9	97013-08045-00	BOLT	1	
10	92990-08200-00	WASHER, PLAIN	2	
11	90206-12M00-00	WASHER, WAVE	1	
12	90387-08M16-00	COLLAR	1	
13	61A-41237-00-00	JOINT, LINK	1	
14	95380-05600-00	NUT	1	
15	682-41237-00-00	JOINT, LINK	1	
16	65L-41213-00-00	CAM, ACCEL.	1	
17	90201-06M31-00	WASHER, PLATE	1	
18	90387-06M29-00	COLLAR	1	
19	90206-10M04-00	WASHER, WAVE	1	
20	97013-06030-00	BOLT	1	
21	92903-06600-00	WASHER, PLATE	1	
22	61A-44117-01-1S	BRACKET	1	
23	97095-06016-00	BOLT	2	
24	92995-06600-00	WASHER	2	
25	61A-44176-00-1S	BRACKET	1	
26	93700-06M01-00	NIPPLE, GREASE	1	
27	90386-12069-00	BUSH	2	
28	90387-08M09-00	COLLAR	1	
29	97095-08035-00	BOLT	1	

CONTENTS

BOTTOM COWLING	D5-7
BRACKET 1	E2-3
BRACKET 2	E4-5
CONTROL	D8-9,E1
CRANKSHAFT PISTON	A9 ,B1
CYLINDER CRANKCASE 1	A7-8
CYLINDER CRANKCASE 2	B2
ELECTRICAL 1	C7
ELECTRICAL 2	C8-9
ELECTRICAL 3	D1-2
ELECTRICAL 4	D3
FUEL 1	C2-4
FUEL 2	C5
FUEL INJECTION NOZZLE	B5-6
FUEL INJECTION PUMP	B3-4
GENERATOR	C6
INTAKE	B7
LOWER CASING DRIVE 1 SX	F3-6
LOWER CASING DRIVE 2 SX	F7
LOWER CASING DRIVE 3 LX	F8-9,G1-2
LOWER CASING DRIVE 4 LX	G3
METER	A4
OIL PUMP	B8
OIL TANK	B9 ,C1
POWER TRIM & TILT ASSY	E6-9
REMOTE CONTROL ASSY 1	G7-9
REMOTE CONTROL ASSY 2	A1-3
REMOTE CONTROL BOX	G6
REPAIR KIT 1	A6
REPAIR KIT 2	A7
STARTING MOTOR	D4
STEERING GUIDE ATTACHMENT 1	G4
STEERING GUIDE ATTACHMENT 2	G5
SWITCH PANEL	A5
TOP COWLING	A5-6
UPPER CASING	F1-2
-MODELS IN THIS CATALOG	A8



65J2100-3200

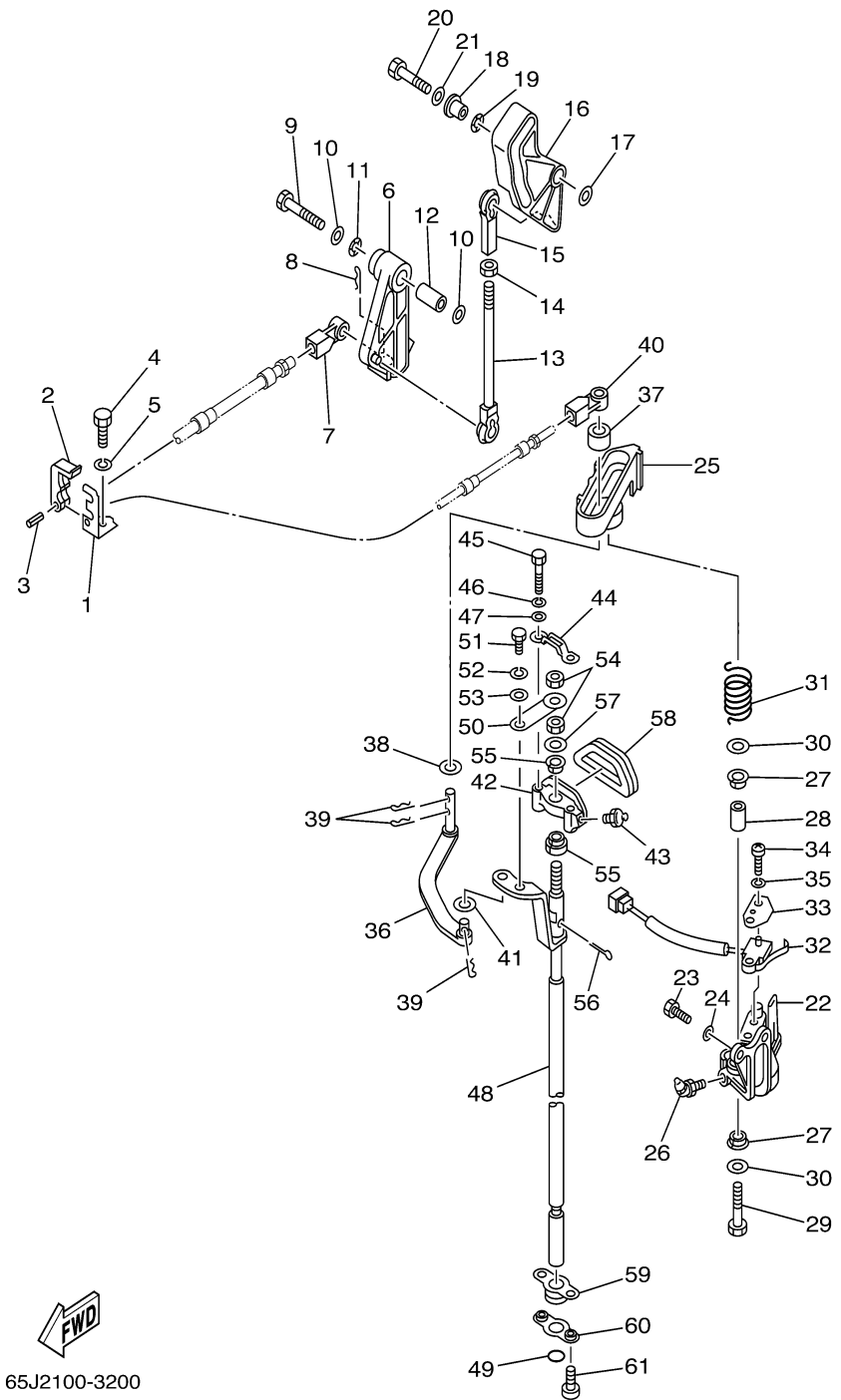
CONTINUED ON NEXT FRAME ►

CONTROL

Ref. No.	Part Number	Description	Qty	Remarks
30	92995-08200-00	WASHER	2	
31	90508-20M31-00	SPRING, TORSION	1	
32	61A-8259F-00-00	SWITCH ASSY	1	
33	61A-82588-01-00	PLATE	1	
34	97885-04016-00	SCREW, PAN HEAD	2	
35	92995-04100-00	WASHER	2	
36	61A-44121-00-00	LEVER, SHIFT ROD	1	
37	6E5-44122-00-00	BUSHING, SHIFT ROD LEVER .	1	
38	90202-08M20-00	WASHER, PLATE	1	
39	90468-18008-00	CLIP	3	
40	6E5-48344-00-00	CABLE END, REMOTE CONTROL	1	
41	90202-06007-00	WASHER, PLATE	1	
42	61A-44118-00-8D	BRACKET	1	
43	93700-06M03-00	NIPPLE, GREASE	1	
44	61A-44116-00-00	SPRING	1	
45	97095-06030-00	BOLT	2	
46	92995-06100-00	WASHER, SPRING	2	
47	92995-06600-00	WASHER	2	
48	61A-44120-22-00	HANDLE GEAR SHIFT ASSY ..	1	UR X
	61A-44120-32-00	HANDLE GEAR SHIFT ASSY ..	1	UR U
49	93210-09165-00	O-RING	1	
50	61A-44112-00-00	STAY, HANDLE GEAR SHIFT .	1	
51	97013-06012-00	BOLT	1	
52	92903-06100-00	WASHER, SPRING	1	
53	92903-06600-00	WASHER, PLATE	1	
54	95313-08600-00	NUT	2	
55	90386-90M90-00	BUSH	2	
56	91490-20012-00	PIN, COTTER	1	
57	90201-09M02-00	WASHER, PLATE	1	

CONTENTS

BOTTOM COWLING	D5-7
BRACKET 1	E2-3
BRACKET 2	E4-5
CONTROL	D8-9,E1
CRANKSHAFT PISTON	A9 ,B1
CYLINDER CRANKCASE 1	A7-8
CYLINDER CRANKCASE 2	B2
ELECTRICAL 1	C7
ELECTRICAL 2	C8-9
ELECTRICAL 3	D1-2
ELECTRICAL 4	D3
FUEL 1	C2-4
FUEL 2	C5
FUEL INJECTION NOZZLE	B5-6
FUEL INJECTION PUMP	B3-4
GENERATOR	C6
INTAKE	B7
LOWER CASING DRIVE 1 SX	F3-6
LOWER CASING DRIVE 2 SX	F7
LOWER CASING DRIVE 3 LX	F8-9,G1-2
LOWER CASING DRIVE 4 LX	G3
METER	A4
OIL PUMP	B8
OIL TANK	B9 ,C1
POWER TRIM & TILT ASSY	E6-9
REMOTE CONTROL ASSY 1	G7-9
REMOTE CONTROL ASSY 2	A1-3
REMOTE CONTROL BOX	G6
REPAIR KIT 1	A6
REPAIR KIT 2	A7
STARTING MOTOR	D4
STEERING GUIDE ATTACHMENT 1	G4
STEERING GUIDE ATTACHMENT 2	G5
SWITCH PANEL	A5
TOP COWLING	A5-6
UPPER CASING	F1-2
-MODELS IN THIS CATALOG	A8



65J2100-3200

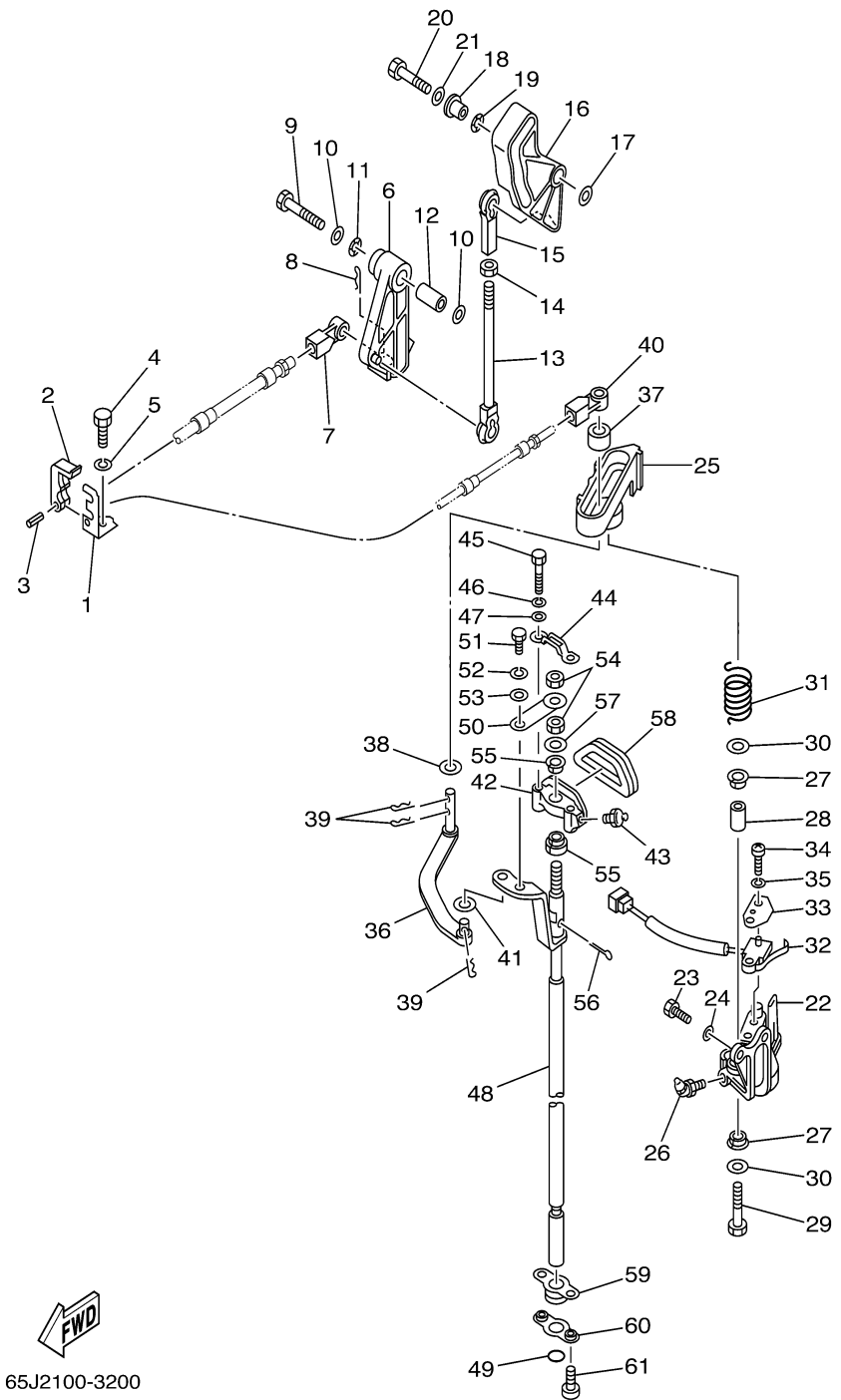
CONTINUED ON NEXT FRAME ►

CONTROL

Ref. No.	Part Number	Description	Qty	Remarks
58	61A-15315-00-00	SEAL, CRANKCASE	1	
59	61A-42724-00-00	GROMMET	1	
60	61A-44138-00-00	WASHER	1	
61	97885-06008-00	SCREW, PAN HEAD	2	

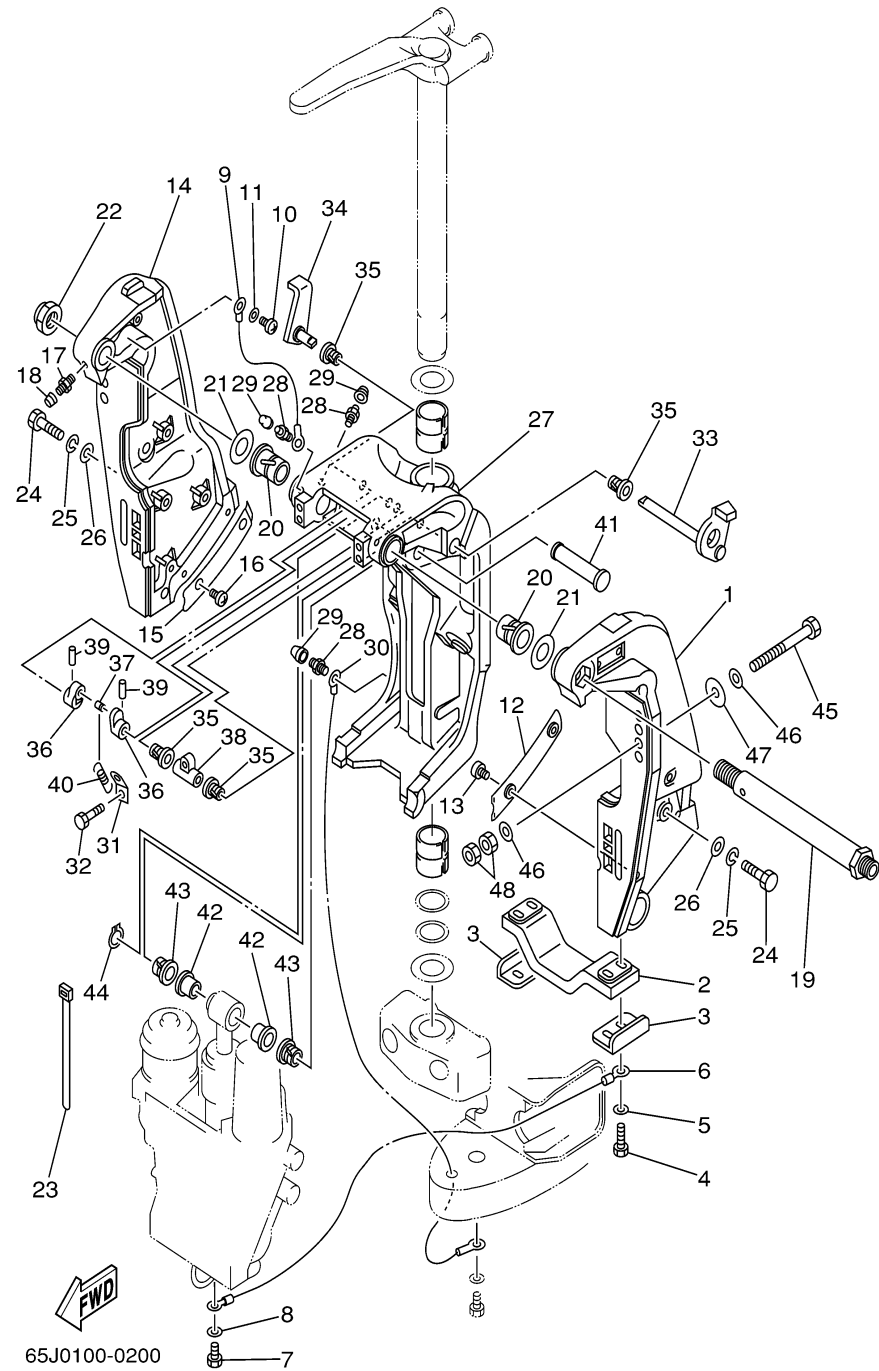
CONTENTS

BOTTOM COWLING	D5-7
BRACKET 1	E2-3
BRACKET 2	E4-5
CONTROL	D8-9,E1
CRANKSHAFT PISTON	A9 ,B1
CYLINDER CRANKCASE 1	A7-8
CYLINDER CRANKCASE 2	B2
ELECTRICAL 1	C7
ELECTRICAL 2	C8-9
ELECTRICAL 3	D1-2
ELECTRICAL 4	D3
FUEL 1	C2-4
FUEL 2	C5
FUEL INJECTION NOZZLE	B5-6
FUEL INJECTION PUMP	B3-4
GENERATOR	C6
INTAKE	B7
LOWER CASING DRIVE 1 SX	F3-6
LOWER CASING DRIVE 2 SX	F7
LOWER CASING DRIVE 3 LX	F8-9,G1-2
LOWER CASING DRIVE 4 LX	G3
METER	A4
OIL PUMP	B8
OIL TANK	B9 ,C1
POWER TRIM & TILT ASSY	E6-9
REMOTE CONTROL ASSY 1	G7-9
REMOTE CONTROL ASSY 2	A1-3
REMOTE CONTROL BOX	G6
REPAIR KIT 1	A6
REPAIR KIT 2	A7
STARTING MOTOR	D4
STEERING GUIDE	
ATTACHMENT 1	G4
STEERING GUIDE	
ATTACHMENT 2	G5
SWITCH PANEL	A5
TOP COWLING	A5-6
UPPER CASING	F1-2
-MODELS IN THIS CATALOG	A8



65J2100-3200

BRACKET 1



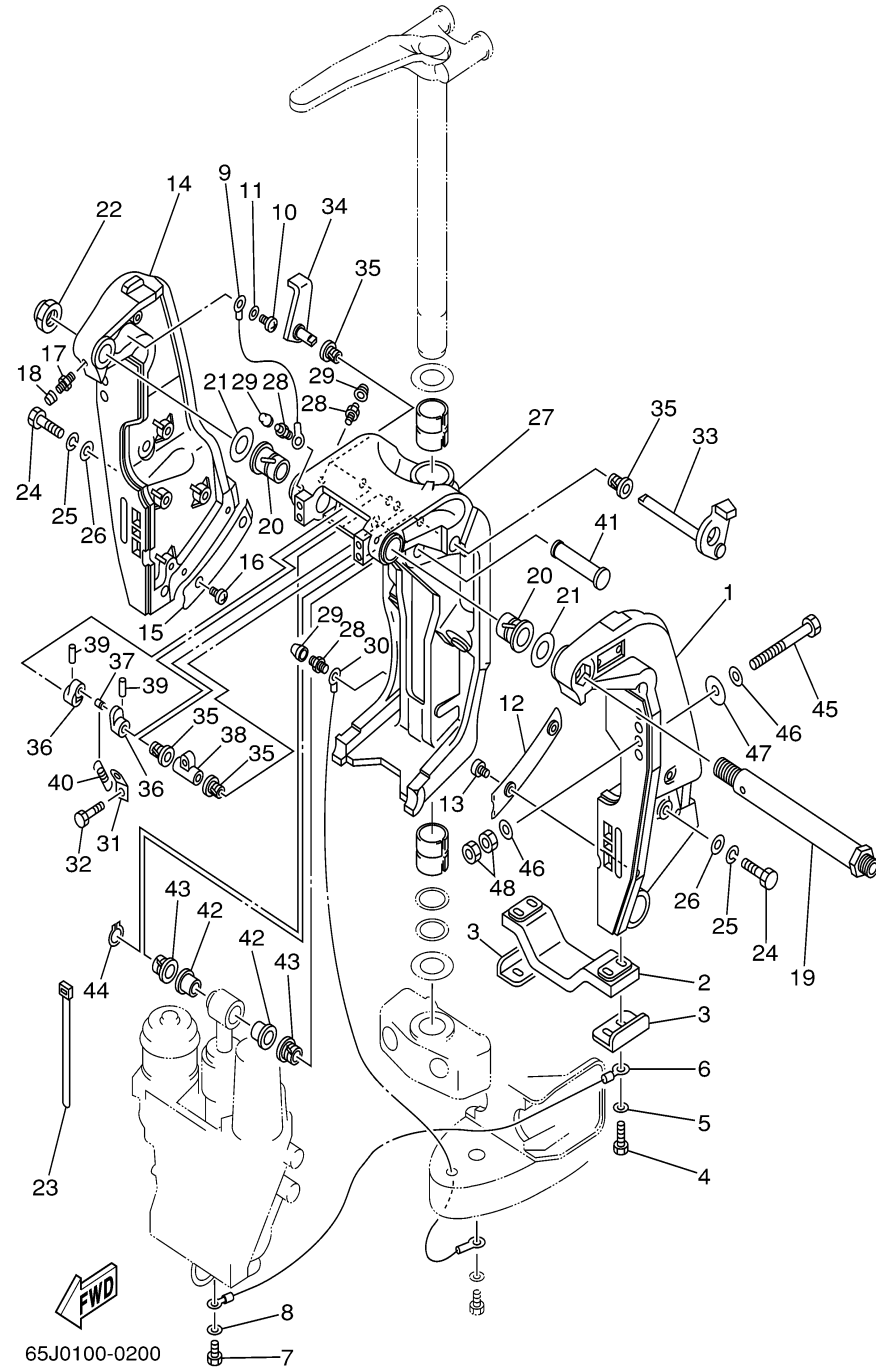
Ref. No.	Part Number	Description	Qty	Remarks
1	61A-43111-23-8D	BRACKET, CLAMP	1	
2	6G5-45251-02-00	ANODE	1	
3	6G5-44526-00-00	PLATE	2	
4	97095-06025-00	BOLT	4	
5	92995-06600-00	WASHER	4	
6	6H1-82148-00-00	WIRE, LEAD 4	1	
7	97095-06010-00	BOLT	1	
8	92995-06600-00	WASHER	1	
9	6E5-82148-00-00	WIRE, LEAD 4	1	
10	97885-06012-00	SCREW, PAN HEAD	1	
11	92995-06600-00	WASHER	1	
12	61A-43132-00-00	WASHER, FRICTION	1	
13	97885-06010-00	SCREW, PAN HEAD	2	
14	61A-43112-23-8D	BRACKET, CLAMP	1	
15	61A-43133-00-00	WASHER, FRICTION	1	
16	97885-06010-00	SCREW, PAN HEAD	2	
17	93700-06M03-00	NIPPLE, GREASE	1	
18	663-45119-00-00	CAP, GREASE NIPPLE	1	
19	6R3-43131-00-00	BOLT, CLAMP BRACKET	1	
20	90386-25M31-00	BUSH	2	
21	90201-26M59-00	WASHER, PLATE	2	
22	90185-22M11-00	NUT, SELF-LOCKING	1	
23	90465-11M10-00	CLAMP	2	
24	97095-10045-00	BOLT	8	
25	92995-10100-00	WASHER	8	
26	92995-10600-00	WASHER	8	
27	61A-43311-21-8D	BRACKET, SWIVEL 1	1	UR X
	61A-43311-31-8D	BRACKET, SWIVEL 1	1	UR U
28	93700-06M03-00	NIPPLE, GREASE	5	
29	663-45119-00-00	CAP, GREASE NIPPLE	5	

CONTENTS

BOTTOM COWLING	D5-7
BRACKET 1	E2-3
BRACKET 2	E4-5
CONTROL	D8-9,E1
CRANKSHAFT PISTON	A9 ,B1
CYLINDER CRANKCASE 1	A7-8
CYLINDER CRANKCASE 2	B2
ELECTRICAL 1	C7
ELECTRICAL 2	C8-9
ELECTRICAL 3	D1-2
ELECTRICAL 4	D3
FUEL 1	C2-4
FUEL 2	C5
FUEL INJECTION NOZZLE	B5-6
FUEL INJECTION PUMP	B3-4
GENERATOR	C6
INTAKE	B7
LOWER CASING DRIVE 1 SX	F3-6
LOWER CASING DRIVE 2 SX	F7
LOWER CASING DRIVE 3 LX	F8-9,G1-2
LOWER CASING DRIVE 4 LX	G3
METER	A4
OIL PUMP	B8
OIL TANK	B9 ,C1
POWER TRIM & TILT ASSY	E6-9
REMOTE CONTROL ASSY 1	G7-9
REMOTE CONTROL ASSY 2	A1-3
REMOTE CONTROL BOX	G6
REPAIR KIT 1	A6
REPAIR KIT 2	A7
STARTING MOTOR	D4
STEERING GUIDE ATTACHMENT 1	G4
STEERING GUIDE ATTACHMENT 2	G5
SWITCH PANEL	A5
TOP COWLING	A5-6
UPPER CASING	F1-2
-MODELS IN THIS CATALOG	A8

CONTINUED ON NEXT FRAME ►

BRACKET 1

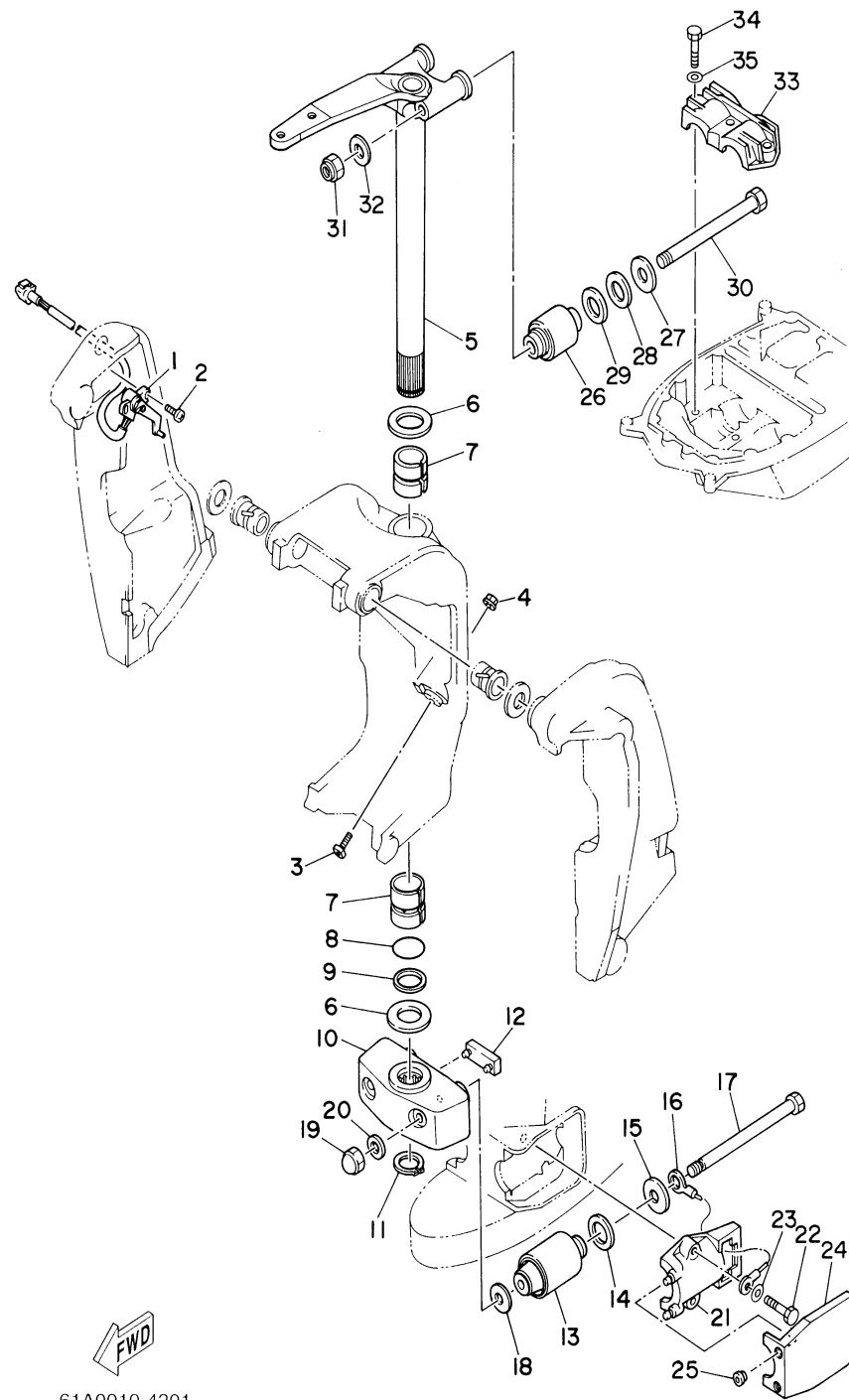


Ref. No.	Part Number	Description	Qty	Remarks
30	61A-82147-20-00	WIRE, LEAD 4	1	UR X
	61A-82147-30-00	WIRE, LEAD 4	1	UR U
31	6G5-43144-00-00	HOOK, SPRING	1	
32	97095-06010-00	BOLT	1	
33	61A-43181-01-00	LEVER, TILT STOP	1	
34	6G5-43185-02-00	LEVER, TILT STOP	1	
35	90386-10M16-00	BUSH	4	
36	6G5-43148-00-00	COLLAR, DISTANCE	2	
37	90249-06M19-00	PIN	1	
38	90387-10M02-00	COLLAR	1	
39	91690-30020-00	PIN, SPRING	2	
40	90506-14M24-00	SPRING, TENSION	1	
41	6E5-43126-02-00	PIN, UPPER SHOCK MOUNT	1	
42	90386-18M63-00	BUSH	2	
43	90386-18M14-00	BUSH	2	
44	93410-18M02-00	CIRCLIP	1	
45	90101-12M05-00	BOLT (L:130MM)	4	UR
	90101-12M77-00	BOLT (L:150MM)	2	UR
46	90201-13M01-00	WASHER, PLATE	8	
47	90201-12M05-00	WASHER, PLATE	4	
48	95380-12600-00	NUT	8	

CONTENTS

BOTTOM COWLING	D5-7
BRACKET 1	E2-3
BRACKET 2	E4-5
CONTROL	D8-9,E1
CRANKSHAFT PISTON	A9 ,B1
CYLINDER CRANKCASE 1	A7-8
CYLINDER CRANKCASE 2	B2
ELECTRICAL 1	C7
ELECTRICAL 2	C8-9
ELECTRICAL 3	D1-2
ELECTRICAL 4	D3
FUEL 1	C2-4
FUEL 2	C5
FUEL INJECTION NOZZLE	B5-6
FUEL INJECTION PUMP	B3-4
GENERATOR	C6
INTAKE	B7
LOWER CASING DRIVE 1 SX	F3-6
LOWER CASING DRIVE 2 SX	F7
LOWER CASING DRIVE 3 LX	F8-9,G1-2
LOWER CASING DRIVE 4 LX	G3
METER	A4
OIL PUMP	B8
OIL TANK	B9 ,C1
POWER TRIM & TILT ASSY	E6-9
REMOTE CONTROL ASSY 1	G7-9
REMOTE CONTROL ASSY 2	A1-3
REMOTE CONTROL BOX	G6
REPAIR KIT 1	A6
REPAIR KIT 2	A7
STARTING MOTOR	D4
STEERING GUIDE ATTACHMENT 1	G4
STEERING GUIDE ATTACHMENT 2	G5
SWITCH PANEL	A5
TOP COWLING	A5-6
UPPER CASING	F1-2
-MODELS IN THIS CATALOG	A8

BRACKET 2



61A0010-4201

Ref. No.	Part Number	Description	Qty	Remarks
1	61A-83672-02-00	TRIM SENDER	1	
2	97885-06016-00	SCREW, PAN HEAD	2	
3	61A-43376-00-00	BOLT, THRUST RECEIVER ...	2	
4	95780-10300-00	NUT, FLANGE	2	
5	61A-42510-31-8D	STEERING BRACKET ASSY ..	1	UR U
	69J-42510-00-8D	STEERING BRACKET ASSY ..	1	UR X
6	90201-40M00-00	WASHER, PLATE	2	
7	90386-39M89-00	BUSH	2	
8	93210-35321-00	O-RING	1	
9	90202-40M47-00	WASHER, PLATE	1	
10	61A-44551-01-8D	HOUSING, LOWER MOUNT RUBBER	1	
11	93410-37M04-00	CIRCLIP	1	
12	61A-44575-00-00	DAMPER, LOWER MOUNT RUBBER	1	
13	61A-44555-01-94	MOUNT DAMPER, LOWER SIDE	2	
14	90202-32M19-00	WASHER, PLATE	2	
15	90201-16M55-00	WASHER, PLATE	2	
16	6E5-82149-00-00	WIRE, LEAD 3	1	
17	90109-14M48-00	BOLT	2	
18	90201-15M58-00	WASHER, PLATE	2	
19	95380-14800-00	NUT	2	
20	92995-14600-00	WASHER	2	
21	61A-44552-01-94	HOUSING, LOWER MOUNT RUBBER	2	
22	97095-10045-00	BOLT	4	
23	92995-10600-00	WASHER	4	
24	61A-44553-00-8D	COVER, LOWER MOUNT	2	
25	6A0-15789-00-00	DAMPER	4	
26	61A-44514-00-94	MOUNT DAMPER, UPPER SIDE	2	
27	90201-16M01-00	WASHER, PLATE	2	

CONTENTS

BOTTOM COWLING	D5-7
BRACKET 1	E2-3
BRACKET 2	E4-5
CONTROL	D8-9,E1
CRANKSHAFT PISTON	A9 ,B1
CYLINDER CRANKCASE 1	A7-8
CYLINDER CRANKCASE 2	B2
ELECTRICAL 1	C7
ELECTRICAL 2	C8-9
ELECTRICAL 3	D1-2
ELECTRICAL 4	D3
FUEL 1	C2-4
FUEL 2	C5
FUEL INJECTION NOZZLE	B5-6
FUEL INJECTION PUMP	B3-4
GENERATOR	C6
INTAKE	B7
LOWER CASING DRIVE 1 SX	F3-6
LOWER CASING DRIVE 2 SX	F7
LOWER CASING DRIVE 3 LX	F8-9,G1-2
LOWER CASING DRIVE 4 LX	G3
METER	A4
OIL PUMP	B8
OIL TANK	B9 ,C1
POWER TRIM & TILT ASSY	E6-9
REMOTE CONTROL ASSY 1	G7-9
REMOTE CONTROL ASSY 2	A1-3
REMOTE CONTROL BOX	G6
REPAIR KIT 1	A6
REPAIR KIT 2	A7
STARTING MOTOR	D4
STEERING GUIDE ATTACHMENT 1	G4
STEERING GUIDE ATTACHMENT 2	G5
SWITCH PANEL	A5
TOP COWLING	A5-6
UPPER CASING	F1-2
-MODELS IN THIS CATALOG	A8

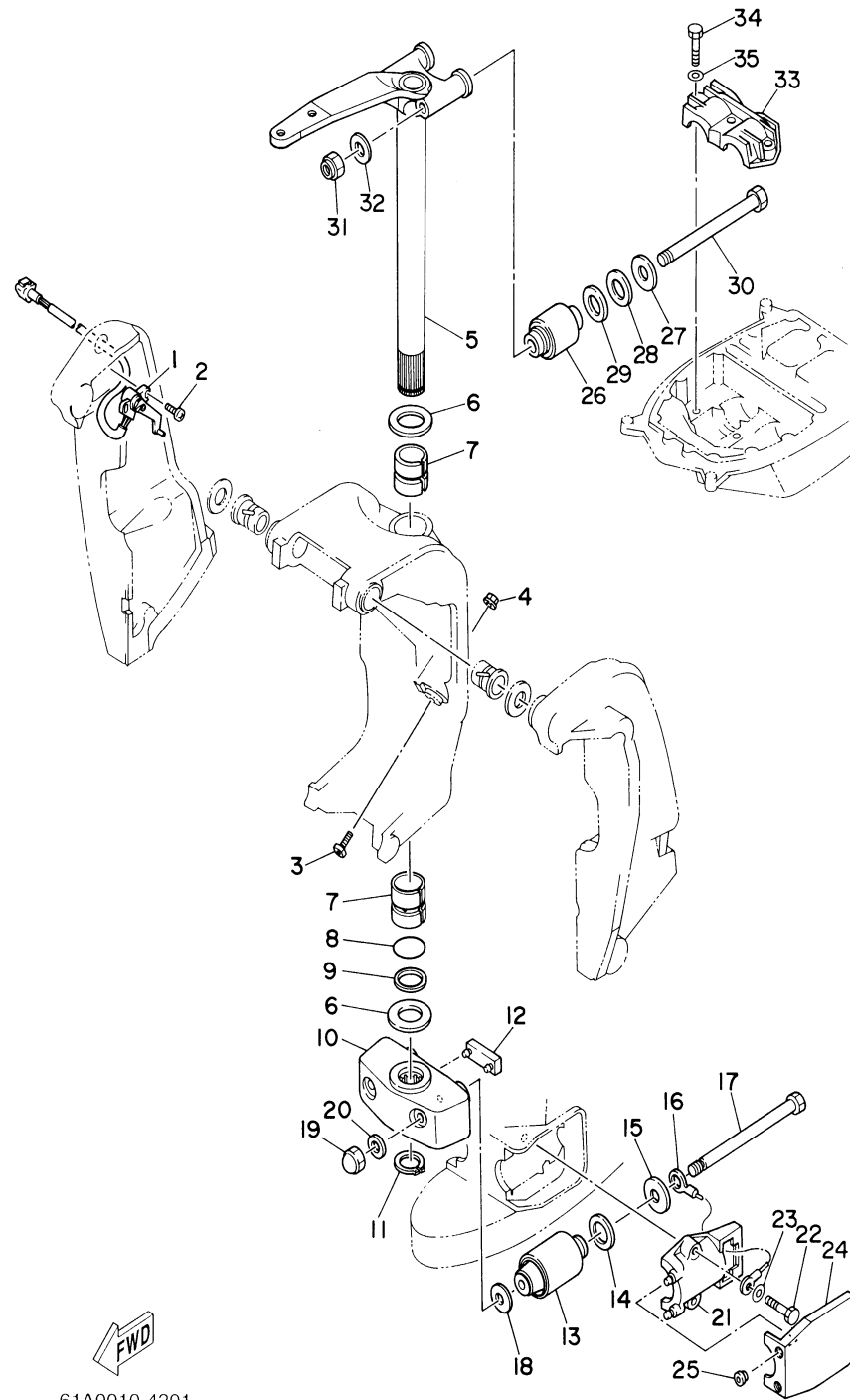
CONTINUED ON NEXT FRAME ►

BRACKET 2

Ref. No.	Part Number	Description	Qty	Remarks
28	90202-28M46-00	WASHER, PLATE	2	
29	90201-28M01-00	WASHER, PLATE	2	
30	90109-14M10-00	BOLT	2	
31	90185-14M00-00	NUT, SELF-LOCKING	2	
32	92995-14600-00	WASHER	2	
33	61A-44511-00-94	COVER, UPPER MOUNT	1	
34	97095-10045-00	BOLT	3	
35	92995-10600-00	WASHER	3	

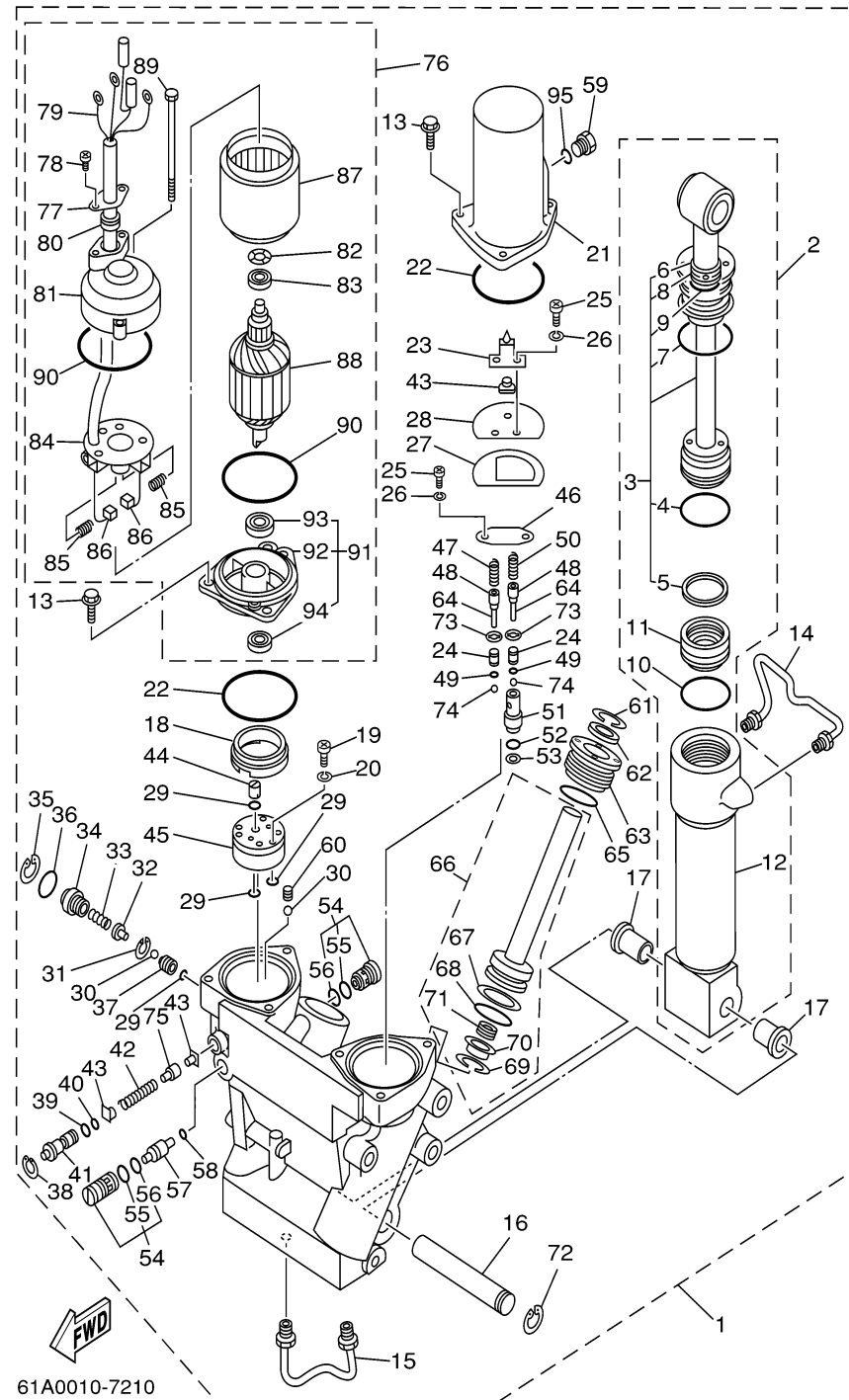
CONTENTS

BOTTOM COWLING	D5-7
BRACKET 1	E2-3
BRACKET 2	E4-5
CONTROL	D8-9,E1
CRANKSHAFT PISTON	A9 ,B1
CYLINDER CRANKCASE 1	A7-8
CYLINDER CRANKCASE 2	B2
ELECTRICAL 1	C7
ELECTRICAL 2	C8-9
ELECTRICAL 3	D1-2
ELECTRICAL 4	D3
FUEL 1	C2-4
FUEL 2	C5
FUEL INJECTION NOZZLE	B5-6
FUEL INJECTION PUMP	B3-4
GENERATOR	C6
INTAKE	B7
LOWER CASING DRIVE 1 SX	F3-6
LOWER CASING DRIVE 2 SX	F7
LOWER CASING DRIVE 3 LX	F8-9,G1-2
LOWER CASING DRIVE 4 LX	G3
METER	A4
OIL PUMP	B8
OIL TANK	B9 ,C1
POWER TRIM & TILT ASSY	E6-9
REMOTE CONTROL ASSY 1	G7-9
REMOTE CONTROL ASSY 2	A1-3
REMOTE CONTROL BOX	G6
REPAIR KIT 1	A6
REPAIR KIT 2	A7
STARTING MOTOR	D4
STEERING GUIDE	
ATTACHMENT 1	G4
STEERING GUIDE	
ATTACHMENT 2	G5
SWITCH PANEL	A5
TOP COWLING	A5-6
UPPER CASING	F1-2
-MODELS IN THIS CATALOG	A8



61A0010-4201

POWER TRIM & TILT ASSY



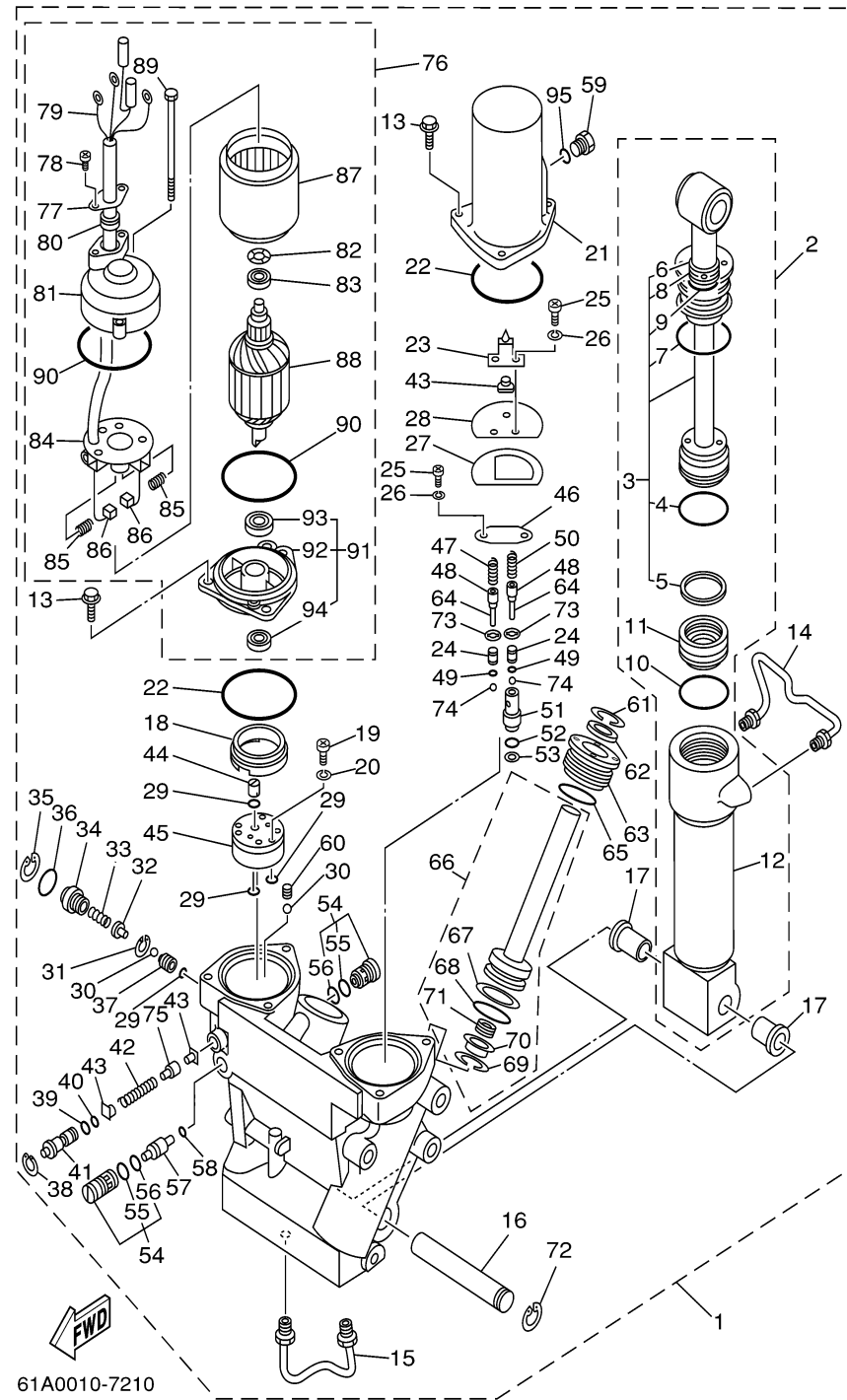
Ref. No.	Part Number	Description	Qty	Remarks
1	61A-43800-25-4D	POWER TRIM & TILT ASSY	1	
2	61A-43840-01-00	.POWER TILT ASSY	1	
3	61A-43810-00-00	...TILT PISTON SUB ASSY	1	
4	61A-43861-00-00	...O-RING	1	
5	61A-43871-00-00	...RING, BACK UP	1	
6	93106-19N50-00	...OIL SEAL	1	
7	6H1-43861-00-00	...O-RING	1	
8	6H1-43872-00-00	...RING, BACK UP	1	
9	61A-4389H-00-00	...O-RING	1	
10	61A-43861-00-00	...O-RING	1	
11	6H1-43814-00-00	...PISTON, FREE	1	
12	61A-43813-01-00	...CYLINDER, TILT	1	
13	97595-06420-00	.BOLT, WITH WASHER	6	
14	61A-43835-01-00	.PIPE	1	
15	61A-43833-01-00	.PIPE	1	
16	61A-43818-00-00	.PIN, LOWER SHOCK MOUNT	1	
17	90386-18M14-00	.BUSH	2	
18	6H1-43817-00-00	.FILTER 2	1	
19	98501-04030-00	.SCREW, PAN HEAD	3	
20	92901-04100-00	.WASHER, SPRING	3	
21	61A-43828-00-00	.BODY, RESERVOIR	1	
22	6H1-43869-00-00	.O-RING	2	
23	61A-4384L-00-00	.SPRING, TRIM DOWN	1	
24	6T4-43851-00-00	.SEAT, RELIEF VALVE	2	
25	98501-05010-00	.SCREW, PAN HEAD	4	
26	92901-05100-00	.WASHER, SPRING	4	
27	61A-4384K-00-00	.PLATE, TRIM DOWN	1	
28	61A-4384J-00-00	.SEAL, TRIM DOWN	1	
29	93210-064A5-00	.O-RING	4	
30	93505-32038-00	.BALL	2	

CONTENTS

BOTTOM COWLING	D5-7
BRACKET 1	E2-3
BRACKET 2	E4-5
CONTROL	D8-9,E1
CRANKSHAFT PISTON	A9 ,B1
CYLINDER CRANKCASE 1	A7-8
CYLINDER CRANKCASE 2	B2
ELECTRICAL 1	C7
ELECTRICAL 2	C8-9
ELECTRICAL 3	D1-2
ELECTRICAL 4	D3
FUEL 1	C2-4
FUEL 2	C5
FUEL INJECTION NOZZLE	B5-6
FUEL INJECTION PUMP	B3-4
GENERATOR	C6
INTAKE	B7
LOWER CASING DRIVE 1 SX	F3-6
LOWER CASING DRIVE 2 SX	F7
LOWER CASING DRIVE 3 LX	F8-9,G1-2
LOWER CASING DRIVE 4 LX	G3
METER	A4
OIL PUMP	B8
OIL TANK	B9 ,C1
POWER TRIM & TILT ASSY	E6-9
REMOTE CONTROL ASSY 1	G7-9
REMOTE CONTROL ASSY 2	A1-3
REMOTE CONTROL BOX	G6
REPAIR KIT 1	A6
REPAIR KIT 2	A7
STARTING MOTOR	D4
STEERING GUIDE	
ATTACHMENT 1	G4
STEERING GUIDE	
ATTACHMENT 2	G5
SWITCH PANEL	A5
TOP COWLING	A5-6
UPPER CASING	F1-2
-MODELS IN THIS CATALOG	A8

CONTINUED ON NEXT FRAME ►

POWER TRIM & TILT ASSY



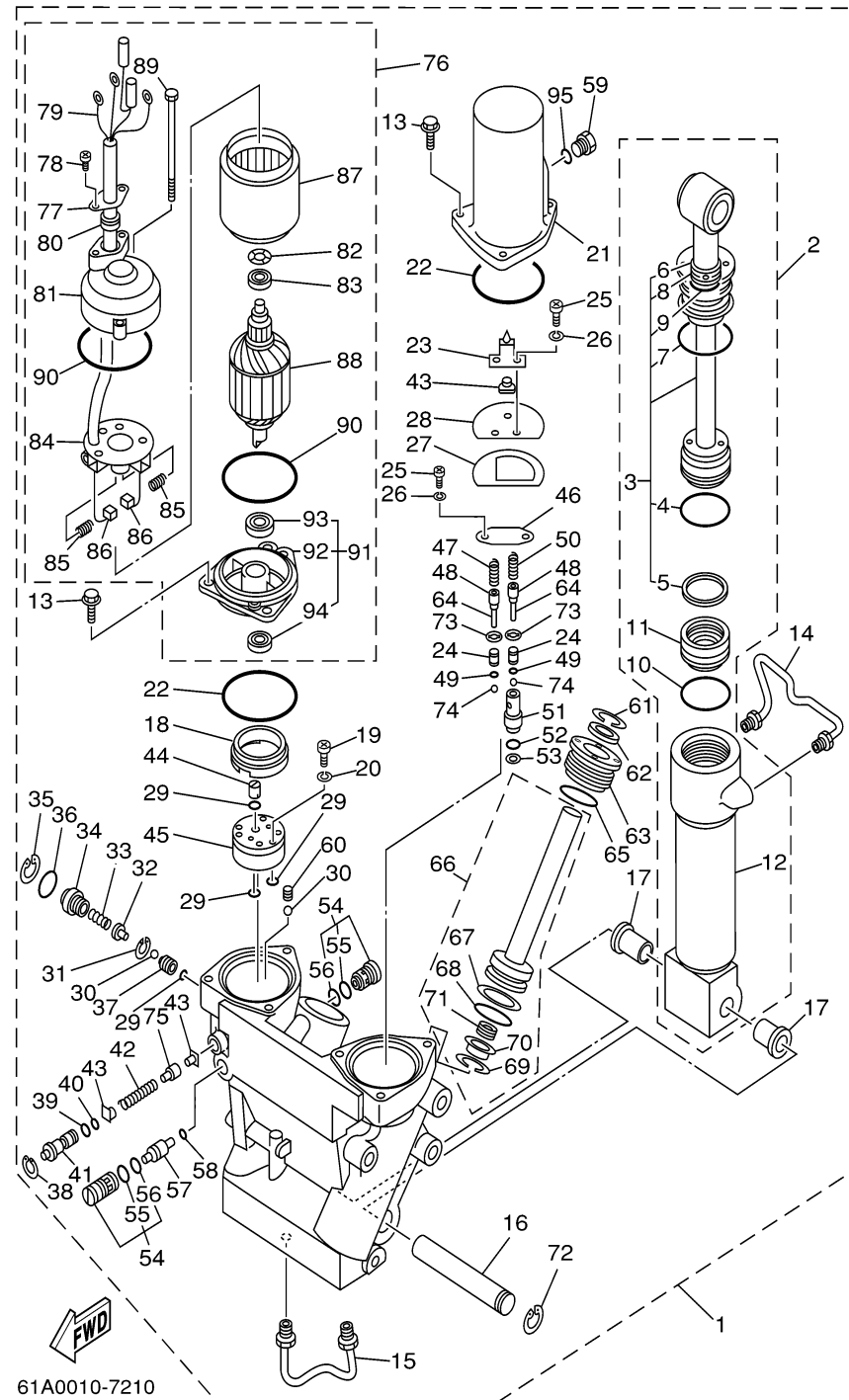
Ref. No.	Part Number	Description	Qty	Remarks
31	61A-43875-00-00	.RING, SNAP	1	
32	61A-43848-00-00	.ROD, MANUAL RELEASE	1	
33	61A-43854-00-00	.SPRING, MANUAL RELEASE	1	
34	61A-43845-00-00	.SCREW, MANUAL RELEASE	1	
35	6H1-43875-00-00	.RING, SNAP	1	
36	93210-18397-00	.O-RING	1	
37	61A-43847-00-00	.SEAT, MANUAL VALVE	1	
38	6T4-43876-00-00	.RING, SNAP	1	
39	93210-07003-00	.O-RING	1	
40	93210-06001-00	.O-RING	1	
41	6T4-43849-00-00	.PIN, VALVE SUPPORT	1	
42	61A-4385H-00-00	.SPRING, SEAL	1	
43	6H1-4384F-00-00	.SEAL, MAIN VALVE	3	
44	6H1-43831-00-00	.CONNECTOR, SHAFT	1	
45	6T4-43830-00-00	.GEAR PUMP ASSY	1	
46	61A-4382K-00-00	.CAP, RELIEF VALVE	1	
47	6H1-43856-10-00	.SPRING, DOWN RELIEF	1	
48	6T4-43844-00-00	.PIN, VALVE SUPPORT	2	
49	6T4-4384G-00-00	.SEAL, RELIEF VALVE	2	
50	6T4-43855-00-00	.SPRING, UP RELIEF	1	
51	6T4-43895-00-00	.SEAT, RELIEF VALVE	1	
52	93210-10M74-00	.O-RING	1	
53	6H1-43816-00-00	.FILTER 1	1	
54	6T4-43802-03-00	.VALVE SUB ASSY	2	
55	6H1-43866-00-00	.O-RING	1	
56	6H1-43867-00-00	.O-RING	1	
57	6T4-43841-00-00	.PISTON, SHUTTLE	1	
58	93210-09165-00	.O-RING	1	
59	6H1-43829-00-00	.PLUG, RESERVOIR	1	
60	61A-43878-00-00	.BOLT, SOCKET	1	

CONTENTS

BOTTOM COWLING	D5-7
BRACKET 1	E2-3
BRACKET 2	E4-5
CONTROL	D8-9,E1
CRANKSHAFT PISTON	A9 ,B1
CYLINDER CRANKCASE 1	A7-8
CYLINDER CRANKCASE 2	B2
ELECTRICAL 1	C7
ELECTRICAL 2	C8-9
ELECTRICAL 3	D1-2
ELECTRICAL 4	D3
FUEL 1	C2-4
FUEL 2	C5
FUEL INJECTION NOZZLE	B5-6
FUEL INJECTION PUMP	B3-4
GENERATOR	C6
INTAKE	B7
LOWER CASING DRIVE 1 SX	F3-6
LOWER CASING DRIVE 2 SX	F7
LOWER CASING DRIVE 3 LX	F8-9,G1-2
LOWER CASING DRIVE 4 LX	G3
METER	A4
OIL PUMP	B8
OIL TANK	B9 ,C1
POWER TRIM & TILT ASSY	E6-9
REMOTE CONTROL ASSY 1	G7-9
REMOTE CONTROL ASSY 2	A1-3
REMOTE CONTROL BOX	G6
REPAIR KIT 1	A6
REPAIR KIT 2	A7
STARTING MOTOR	D4
STEERING GUIDE	
ATTACHMENT 1	G4
STEERING GUIDE	
ATTACHMENT 2	G5
SWITCH PANEL	A5
TOP COWLING	A5-6
UPPER CASING	F1-2
-MODELS IN THIS CATALOG	A8

CONTINUED ON NEXT FRAME ►

POWER TRIM & TILT ASSY



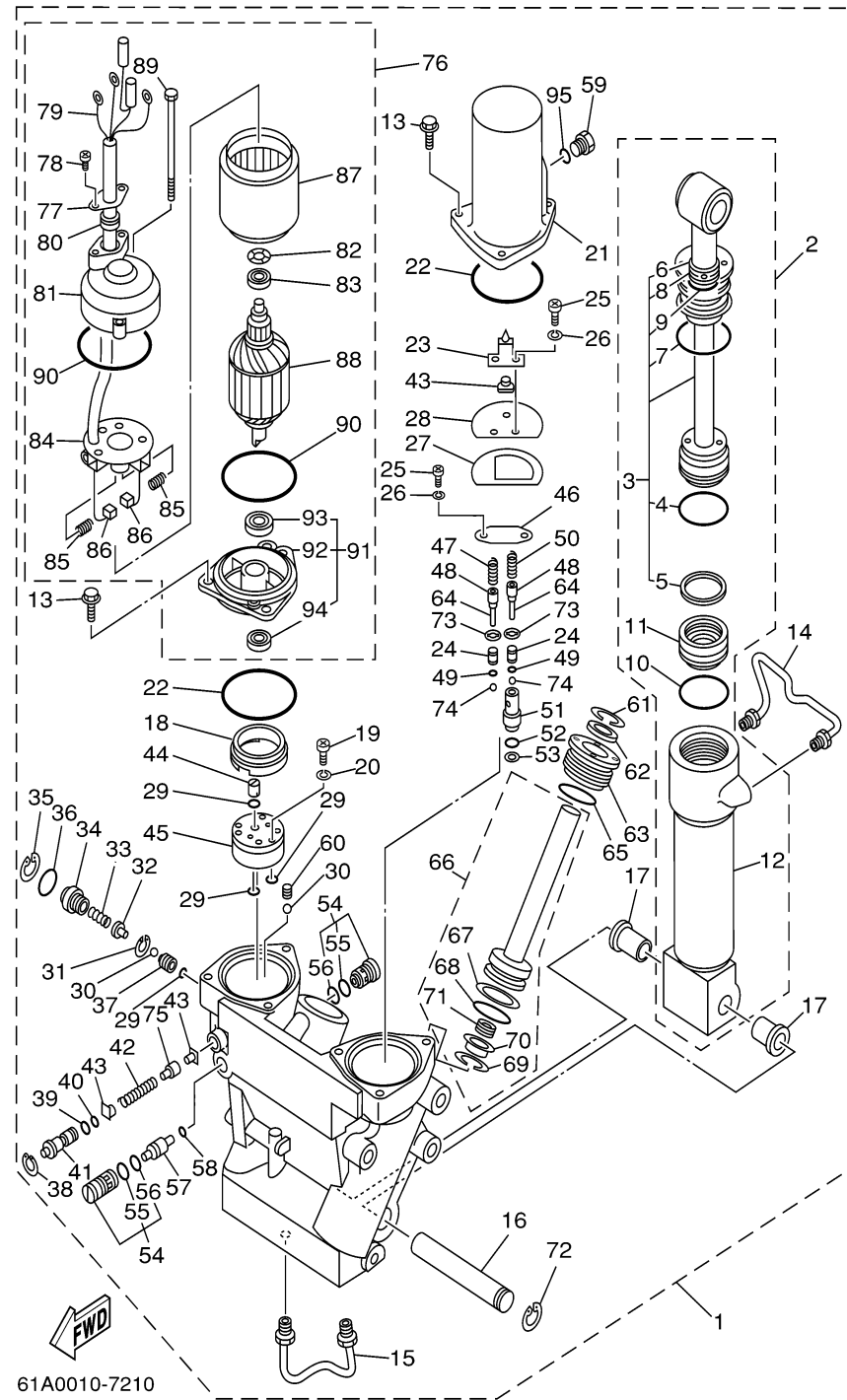
Ref. No.	Part Number	Description	Qty	Remarks
61	6T4-43875-00-00	..RING, SNAP	2	
62	61A-43822-00-00	..SEAL, TRIM DUST	2	
63	61A-43821-00-00	..SCREW, TRIM CYLINDER END	2	
64	91609-10014-00	..PIN, SPRING	2	
65	61A-43861-00-00	..O-RING	2	
66	61A-43820-10-00	..TRIM PISTON SUB ASSY ...	2	
67	61A-43874-00-00	...RING, BACK UP	1	
68	61A-43864-00-00	...O-RING	1	
69	61A-43875-10-00	...RING, SNAP	1	
70	61A-4383H-11-00	...HOSE, OIL 5	1	
71	61A-4384H-10-00	...SPRING	1	
72	61A-43876-00-00	..RING, SNAP	1	
73	6T4-43893-00-00	..WASHER	2	
74	93501-08001-00	..BALL	2	
75	61A-4382A-00-00	..ADAPTOR 1	1	
76	61A-43880-02-00	..MOTOR ASSY	1	
77	6T4-4386J-00-00	..WASHER, SPECIAL	1	
78	90157-05107-00	...SCREW, PAN HEAD	2	
79	61A-43807-00-00	...WIRE SUB ASSY	1	
80	6T4-43885-00-00	..GROMMET	1	
81	61A-43884-01-00	...FRAME, COMMUTATOR END	1	
82	90206-14086-00	..WASHER, WAVE	3	
83	93300-60820-00	..BEARING	1	
84	61A-43806-00-00	...BRUSH HOLDER ASSY ...	1	
85	61A-4386K-00-00	...SPRING, BRUSH	4	
86	61A-43891-00-00	...BRUSH 1	2	
87	61A-43804-01-00	...STATOR ASSY	1	
88	61A-43805-01-00	...ARMATURE ASSY	1	
89	61A-43887-00-00	...BOLT, THROUGH	2	

CONTENTS

BOTTOM COWLING	D5-7
BRACKET 1	E2-3
BRACKET 2	E4-5
CONTROL	D8-9,E1
CRANKSHAFT PISTON	A9 ,B1
CYLINDER CRANKCASE 1	A7-8
CYLINDER CRANKCASE 2	B2
ELECTRICAL 1	C7
ELECTRICAL 2	C8-9
ELECTRICAL 3	D1-2
ELECTRICAL 4	D3
FUEL 1	C2-4
FUEL 2	C5
FUEL INJECTION NOZZLE	B5-6
FUEL INJECTION PUMP	B3-4
GENERATOR	C6
INTAKE	B7
LOWER CASING DRIVE 1 SX	F3-6
LOWER CASING DRIVE 2 SX	F7
LOWER CASING DRIVE 3 LX	F8-9,G1-2
LOWER CASING DRIVE 4 LX	G3
METER	A4
OIL PUMP	B8
OIL TANK	B9 ,C1
POWER TRIM & TILT ASSY	E6-9
REMOTE CONTROL ASSY 1	G7-9
REMOTE CONTROL ASSY 2	A1-3
REMOTE CONTROL BOX	G6
REPAIR KIT 1	A6
REPAIR KIT 2	A7
STARTING MOTOR	D4
STEERING GUIDE ATTACHMENT 1	G4
STEERING GUIDE ATTACHMENT 2	G5
SWITCH PANEL	A5
TOP COWLING	A5-6
UPPER CASING	F1-2
-MODELS IN THIS CATALOG	A8

CONTINUED ON NEXT FRAME ►

POWER TRIM & TILT ASSY



Ref. No.	Part Number	Description	Qty	Remarks
90	93210-72789-00	...O-RING	2	
91	61A-43881-01-00	...FRAME, END	1	
92	61A-43881-11-00	...FRAME, END	1	
93	93300-60820-00	... BEARING	1	
94	93102-08414-00	...OIL SEAL	1	
95	93210-09165-00	. O-RING	1	

CONTENTS

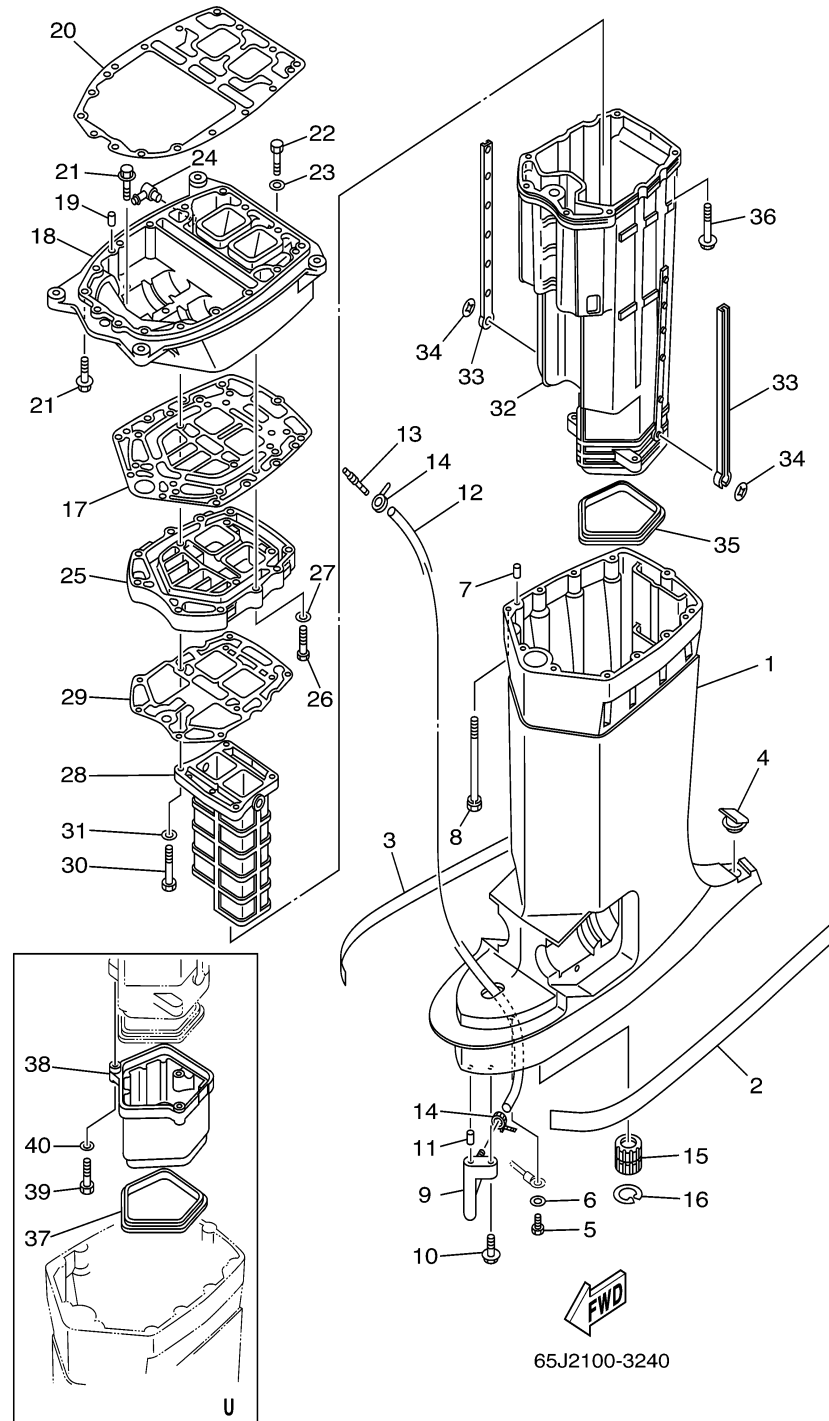
BOTTOM COWLING	D5-7
BRACKET 1	E2-3
BRACKET 2	E4-5
CONTROL	D8-9,E1
CRANKSHAFT PISTON	A9 ,B1
CYLINDER CRANKCASE 1	A7-8
CYLINDER CRANKCASE 2	B2
ELECTRICAL 1	C7
ELECTRICAL 2	C8-9
ELECTRICAL 3	D1-2
ELECTRICAL 4	D3
FUEL 1	C2-4
FUEL 2	C5
FUEL INJECTION NOZZLE	B5-6
FUEL INJECTION PUMP	B3-4
GENERATOR	C6
INTAKE	B7
LOWER CASING DRIVE 1 SX	F3-6
LOWER CASING DRIVE 2 SX	F7
LOWER CASING DRIVE 3 LX	F8-9,G1-2
LOWER CASING DRIVE 4 LX	G3
METER	A4
OIL PUMP	B8
OIL TANK	B9 ,C1
POWER TRIM & TILT ASSY	E6-9
REMOTE CONTROL ASSY 1	G7-9
REMOTE CONTROL ASSY 2	A1-3
REMOTE CONTROL BOX	G6
REPAIR KIT 1	A6
REPAIR KIT 2	A7
STARTING MOTOR	D4
STEERING GUIDE	
ATTACHMENT 1	G4
STEERING GUIDE	
ATTACHMENT 2	G5
SWITCH PANEL	A5
TOP COWLING	A5-6
UPPER CASING	F1-2
-MODELS IN THIS CATALOG	A8

UPPER CASING

Ref. No.	Part Number	Description	Qty	Remarks
1	61A-45111-22-8D	CASING, UPPER	1	UR X
	61A-45111-32-8D	CASING, UPPER	1	UR U
2	61A-42791-S0-00	MARK 1	1	
3	61A-42792-S0-00	MARK	1	
4	61A-45155-00-00	CAP	1	
5	97095-06010-00	BOLT	1	
6	92995-06600-00	WASHER	1	
7	93608-12M05-00	PIN, DOWEL	2	
8	90119-08M78-00	BOLT, WITH WASHER	8	
9	61A-45378-00-00	NIPPLE, HOSE	1	
10	90119-06M17-00	BOLT, WITH WASHER	1	
11	93606-12019-00	PIN, DOWEL	1	
12	90445-07MF0-00	HOSE (L1030)	1	UR X
	90445-07M21-00	HOSE (L1160)	1	UR U
13	6E5-83558-00-00	END, NIPPLE	1	
14	90465-11M10-00	CLAMP	2	
15	6E5-45318-00-00	BUSHING, DRIVE SHAFT	1	
16	93420-36M01-00	CIRCLIP	1	
17	61A-45114-A0-00	.GASKET, UPPER CASING	1	
18	61A-41137-13-94	GUIDE, EXHAUST	1	FLUSHING KIT
19	93608-12M05-00	PIN, DOWEL	2	
20	61A-45113-A0-00	.GASKET, UPPER CASING	1	
21	90119-08M79-00	BOLT, WITH WASHER	8	
22	97095-08035-00	BOLT	1	
23	92995-08600-00	WASHER	1	
24	6H1-11372-00-00	NIPPLE, HOSE	1	FLUSHING KIT
25	61A-41131-00-5B	MANIFOLD, EXT. 1	1	
26	97095-08035-00	BOLT	4	
27	92995-08600-00	WASHER	4	
28	61A-41132-01-5B	MANIFOLD, EXHAUST	1	

CONTENTS

BOTTOM COWLING	D5-7
BRACKET 1	E2-3
BRACKET 2	E4-5
CONTROL	D8-9,E1
CRANKSHAFT PISTON	A9 ,B1
CYLINDER CRANKCASE 1	A7-8
CYLINDER CRANKCASE 2	B2
ELECTRICAL 1	C7
ELECTRICAL 2	C8-9
ELECTRICAL 3	D1-2
ELECTRICAL 4	D3
FUEL 1	C2-4
FUEL 2	C5
FUEL INJECTION NOZZLE	B5-6
FUEL INJECTION PUMP	B3-4
GENERATOR	C6
INTAKE	B7
LOWER CASING DRIVE 1 SX	F3-6
LOWER CASING DRIVE 2 SX	F7
LOWER CASING DRIVE 3 LX	F8-9,G1-2
LOWER CASING DRIVE 4 LX	G3
METER	A4
OIL PUMP	B8
OIL TANK	B9 ,C1
POWER TRIM & TILT ASSY	E6-9
REMOTE CONTROL ASSY 1	G7-9
REMOTE CONTROL ASSY 2	A1-3
REMOTE CONTROL BOX	G6
REPAIR KIT 1	A6
REPAIR KIT 2	A7
STARTING MOTOR	D4
STEERING GUIDE ATTACHMENT 1	G4
STEERING GUIDE ATTACHMENT 2	G5
SWITCH PANEL	A5
TOP COWLING	A5-6
UPPER CASING	F1-2
-MODELS IN THIS CATALOG	A8



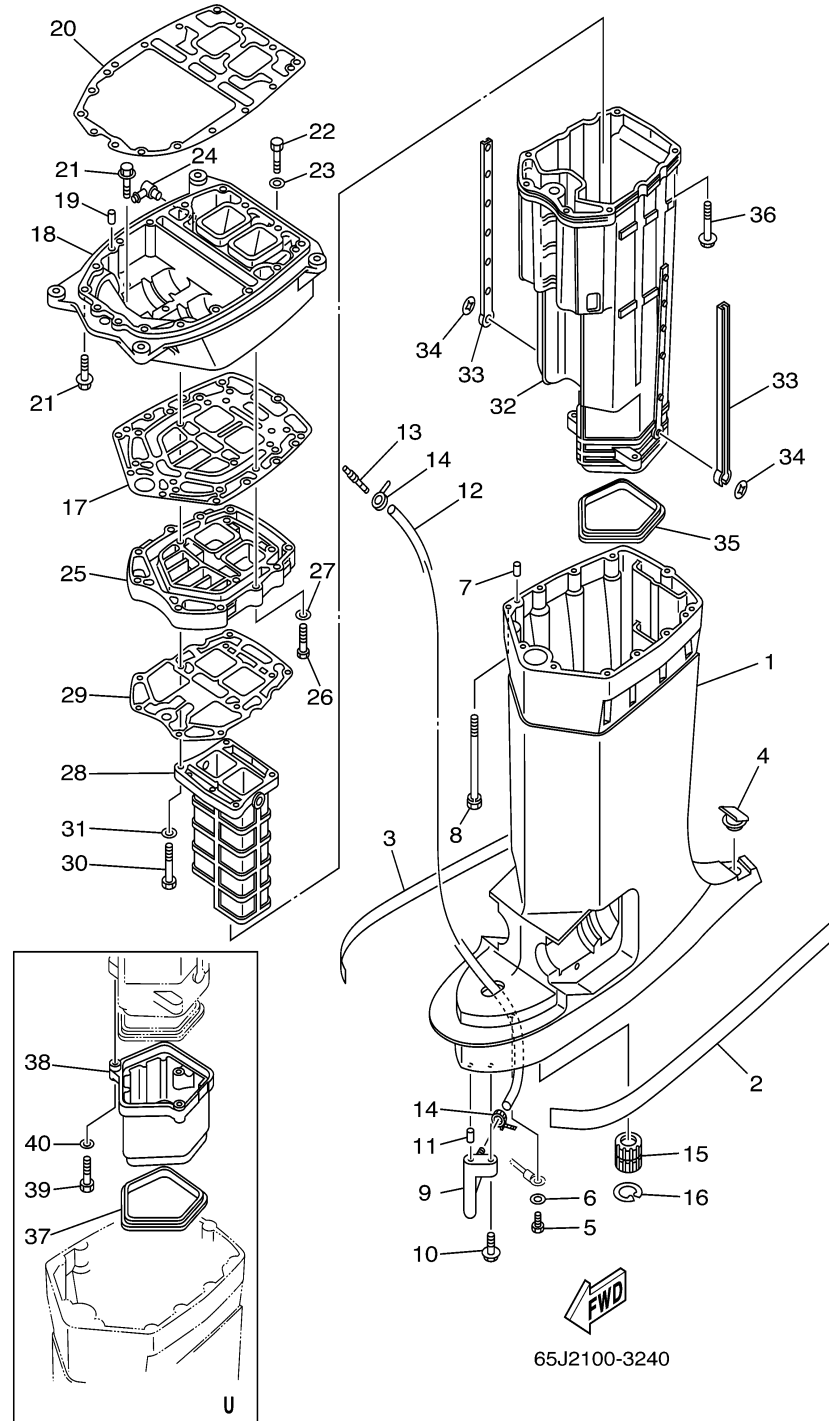
CONTINUED ON NEXT FRAME ►

UPPER CASING

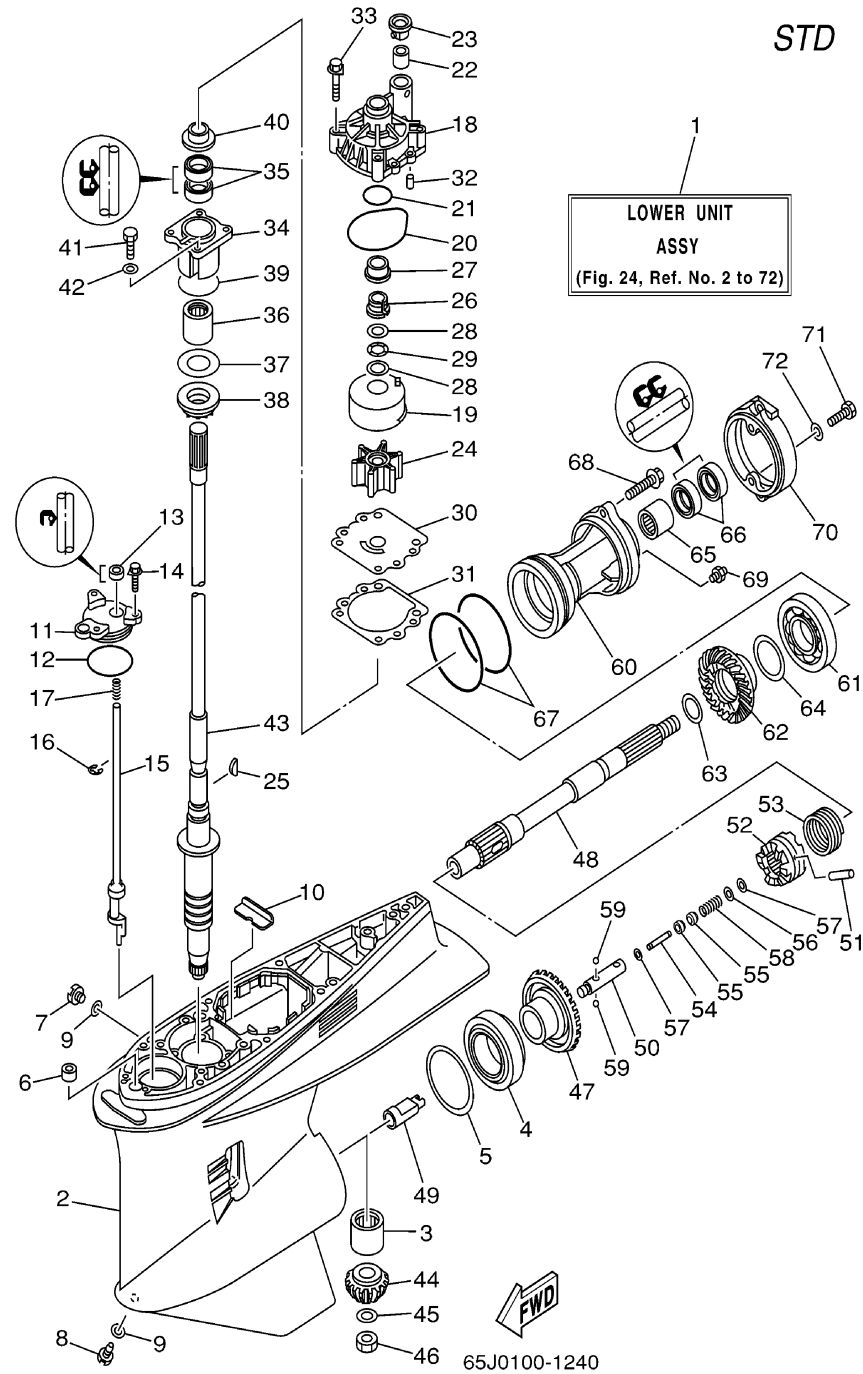
Ref. No.	Part Number	Description	Qty	Remarks
29	61A-41134-A0-00	.GASKET, EXHAUST MANIFOLD	1	
30	97095-08050-00	BOLT	4	
31	92995-08600-00	WASHER	4	
32	61A-14711-22-5B	MUFFLER 1	1	
33	6E5-14737-00-00	DAMPER, MUFFLER	2	
34	90183-05M02-00	NUT, SPRING	2	
35	61A-45123-01-00	GASKET, MUFFLER	1	
36	90119-08M74-00	BOLT, WITH WASHER	6	
37	61A-45123-01-00	GASKET, MUFFLER	1	U
38	61A-14721-30-5B	MUFFLER 2	1	U
39	97095-06035-00	BOLT	3	U
40	92995-06600-00	WASHER	3	U

CONTENTS

BOTTOM COWLING	D5-7
BRACKET 1	E2-3
BRACKET 2	E4-5
CONTROL	D8-9,E1
CRANKSHAFT PISTON	A9 ,B1
CYLINDER CRANKCASE 1	A7-8
CYLINDER CRANKCASE 2	B2
ELECTRICAL 1	C7
ELECTRICAL 2	C8-9
ELECTRICAL 3	D1-2
ELECTRICAL 4	D3
FUEL 1	C2-4
FUEL 2	C5
FUEL INJECTION NOZZLE	B5-6
FUEL INJECTION PUMP	B3-4
GENERATOR	C6
INTAKE	B7
LOWER CASING DRIVE 1 SX	F3-6
LOWER CASING DRIVE 2 SX	F7
LOWER CASING DRIVE 3 LX	F8-9,G1-2
LOWER CASING DRIVE 4 LX	G3
METER	A4
OIL PUMP	B8
OIL TANK	B9 ,C1
POWER TRIM & TILT ASSY	E6-9
REMOTE CONTROL ASSY 1	G7-9
REMOTE CONTROL ASSY 2	A1-3
REMOTE CONTROL BOX	G6
REPAIR KIT 1	A6
REPAIR KIT 2	A7
STARTING MOTOR	D4
STEERING GUIDE	
ATTACHMENT 1	G4
STEERING GUIDE	
ATTACHMENT 2	G5
SWITCH PANEL	A5
TOP COWLING	A5-6
UPPER CASING	F1-2
-MODELS IN THIS CATALOG	A8



LOWER CASING DRIVE 1 SX



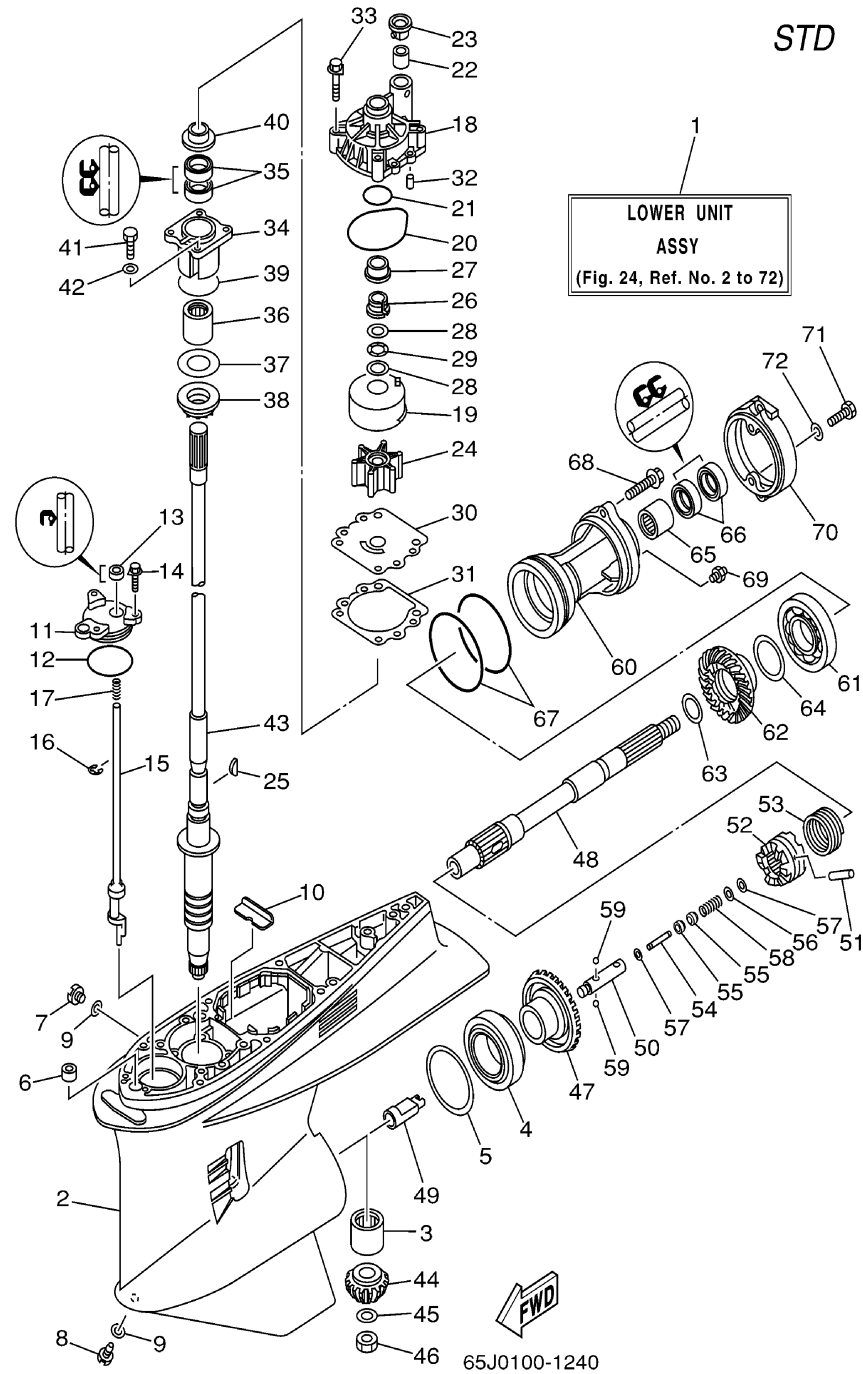
Ref. No.	Part Number	Description	Qty	Remarks
1	65J-45300-21-8D	LOWER UNIT ASSY	1	UR X
	65J-45300-31-8D	LOWER UNIT ASSY	1	UR U
2	61A-45301-10-8D	CASING, LOWER	1	
3	93311-832V2-00	BEARING	1	
4	93332-000W1-00	BEARING	1	
5	61A-45567-00-10	SHIM (T:0.10MM)	1	UR
	61A-45567-00-12	SHIM (T:0.12MM)	1	UR
	61A-45567-00-18	SHIM (T:0.18MM)	1	UR
	61A-45567-00-40	SHIM (T:0.40MM)	1	UR
	61A-45567-00-50	SHIM (T:0.50MM)	1	UR
	61A-45567-00-30	SHIM (T:0.30MM)	1	UR
	61A-45567-00-15	SHIM (T:0.15MM)	1	UR
6	663-44366-00-00	DAMPER, WATER SEAL	1	
7	90340-08002-00	PLUG, STRAIGHT SCREW	1	
8	688-45341-10-00	PLUG, DRAIN	1	
9	90430-08020-00	GASKET	2	
10	61A-45376-00-94	GUIDE, SEAL DAMPER	1	
11	61A-45321-01-00	PLATE	1	
12	93210-64488-00	O-RING	1	
13	93106-09014-00	.OIL SEAL	1	
14	90119-06M10-00	BOLT, WITH WASHER	3	
15	60V-44150-00-00	SHIFT CAM ASSY	1	
16	99001-08600-00	CIRCLIP	1	
17	90501-11M10-00	SPRING, COMPRESSION	1	
18	61A-44311-01-00	HOUSING, WATER PUMP	1	
19	61A-44322-02-00	.INSERT, CARTRIDGE	1	
20	93210-86M38-00	O-RING	1	
21	93210-37160-00	O-RING	1	
22	6E5-44365-00-00	DAMPER, WATER SEAL	1	
23	6E5-44312-00-00	COVER, WATER PUMP HOUSING	1	

CONTENTS

BOTTOM COWLING	D5-7
BRACKET 1	E2-3
BRACKET 2	E4-5
CONTROL	D8-9,E1
CRANKSHAFT PISTON	A9 ,B1
CYLINDER CRANKCASE 1	A7-8
CYLINDER CRANKCASE 2	B2
ELECTRICAL 1	C7
ELECTRICAL 2	C8-9
ELECTRICAL 3	D1-2
ELECTRICAL 4	D3
FUEL 1	C2-4
FUEL 2	C5
FUEL INJECTION NOZZLE	B5-6
FUEL INJECTION PUMP	B3-4
GENERATOR	C6
INTAKE	B7
LOWER CASING DRIVE 1 SX	F3-6
LOWER CASING DRIVE 2 SX	F7
LOWER CASING DRIVE 3 LX	F8-9,G1-2
LOWER CASING DRIVE 4 LX	G3
METER	A4
OIL PUMP	B8
OIL TANK	B9 ,C1
POWER TRIM & TILT ASSY	E6-9
REMOTE CONTROL ASSY 1	G7-9
REMOTE CONTROL ASSY 2	A1-3
REMOTE CONTROL BOX	G6
REPAIR KIT 1	A6
REPAIR KIT 2	A7
STARTING MOTOR	D4
STEERING GUIDE ATTACHMENT 1	G4
STEERING GUIDE ATTACHMENT 2	G5
SWITCH PANEL	A5
TOP COWLING	A5-6
UPPER CASING	F1-2
-MODELS IN THIS CATALOG	A8

CONTINUED ON NEXT FRAME ►

LOWER CASING DRIVE 1 SX



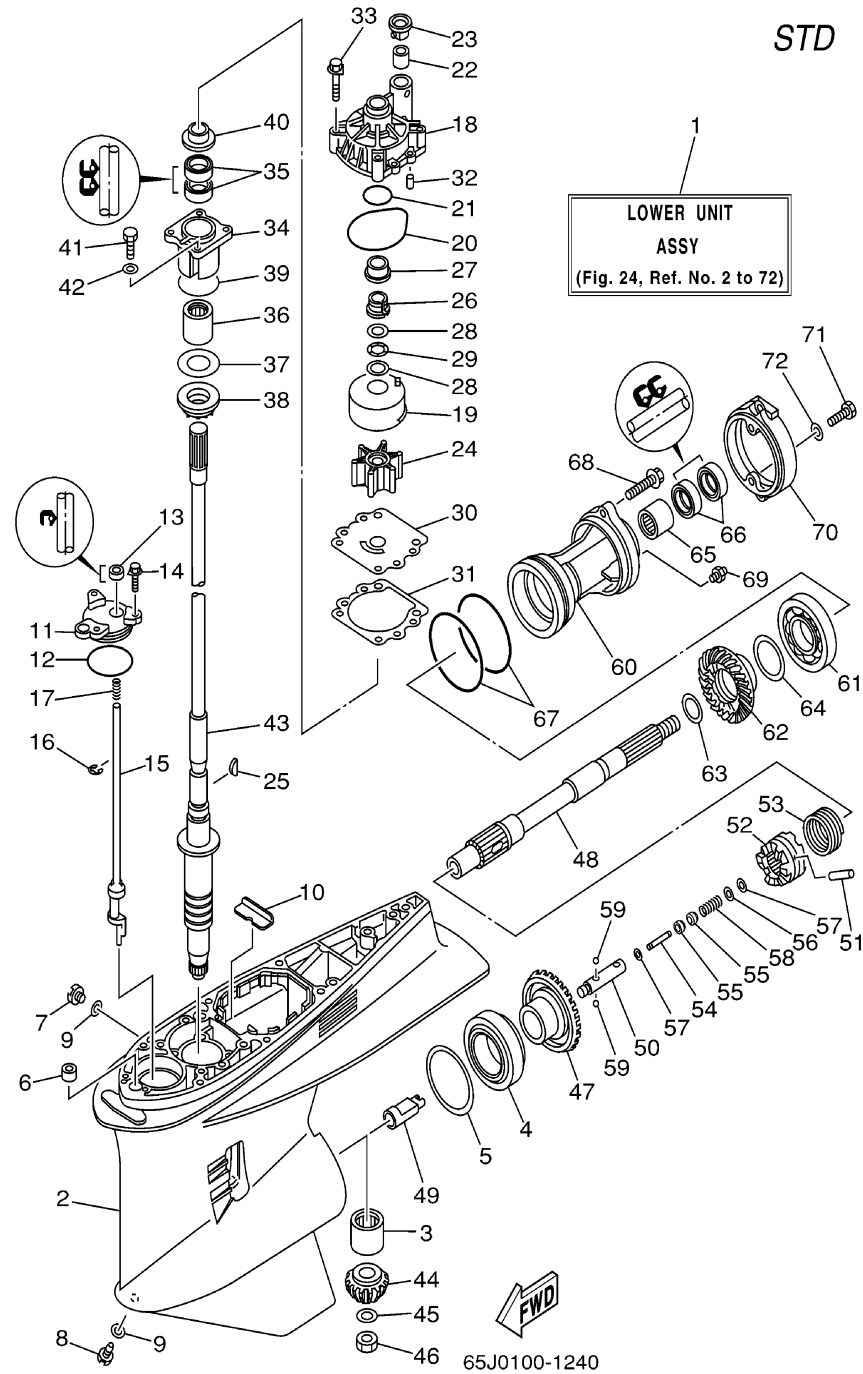
Ref. No.	Part Number	Description	Qty	Remarks
24	6E5-44352-01-00	IMPELLER	1	
25	90280-04M05-00	.KEY, WOODRUFF	1	
26	61A-45538-00-00	SPACER 1	1	
27	61A-45527-00-00	COLLAR, DRIVE SHAFT	1	
28	90201-22M01-00	WASHER, PLATE	2	
29	90206-22M19-00	WASHER, WAVE	1	
30	6G5-44323-00-00	.OUTER PLATE, CARTRIDGE	1	
31	6E5-44315-A0-00	GASKET, WATER PUMP	1	
32	93606-12019-00	PIN, DOWEL	2	
33	90119-08M14-00	.BOLT, WITH WASHER	4	
34	61A-45331-00-94	HOUSING, BEARING	1	
35	93101-28M16-00	.OIL SEAL	2	
36	93317-330U2-00	BEARING	1	
37	61A-45587-00-10	SHIM (T:0.10MM)	1	UR
	61A-45587-00-12	SHIM (T:0.12MM)	1	UR
	61A-45587-00-15	SHIM (T:0.15MM)	1	UR
	61A-45587-00-18	SHIM (T:0.18MM)	1	UR
	61A-45587-00-30	SHIM (T:0.30MM)	1	UR
	61A-45587-00-40	SHIM (T:0.40MM)	1	UR
	61A-45587-00-50	SHIM (T:0.50MM)	1	UR
38	93341-930U9-00	BEARING	1	
39	93210-55M14-00	.O-RING	1	
40	6E5-45344-00-00	COVER, OIL SEAL	1	
41	97095-08025-00	BOLT	4	
42	92995-08600-00	WASHER	4	
43	61A-45501-20-00	DRIVE SHAFT COMP.	1	UR X
	61A-45501-30-00	DRIVE SHAFT COMP.	1	UR U
44	61A-45551-03-00	PINION (19T)	1	
45	90201-16M00-00	WASHER, PLATE	1	
46	90170-16M19-00	NUT	1	

CONTENTS

BOTTOM COWLING	D5-7
BRACKET 1	E2-3
BRACKET 2	E4-5
CONTROL	D8-9,E1
CRANKSHAFT PISTON	A9 ,B1
CYLINDER CRANKCASE 1	A7-8
CYLINDER CRANKCASE 2	B2
ELECTRICAL 1	C7
ELECTRICAL 2	C8-9
ELECTRICAL 3	D1-2
ELECTRICAL 4	D3
FUEL 1	C2-4
FUEL 2	C5
FUEL INJECTION NOZZLE	B5-6
FUEL INJECTION PUMP	B3-4
GENERATOR	C6
INTAKE	B7
LOWER CASING DRIVE 1 SX	F3-6
LOWER CASING DRIVE 2 SX	F7
LOWER CASING DRIVE 3 LX	F8-9,G1-2
LOWER CASING DRIVE 4 LX	G3
METER	A4
OIL PUMP	B8
OIL TANK	B9 ,C1
POWER TRIM & TILT ASSY	E6-9
REMOTE CONTROL ASSY 1	G7-9
REMOTE CONTROL ASSY 2	A1-3
REMOTE CONTROL BOX	G6
REPAIR KIT 1	A6
REPAIR KIT 2	A7
STARTING MOTOR	D4
STEERING GUIDE	
ATTACHMENT 1	G4
STEERING GUIDE	
ATTACHMENT 2	G5
SWITCH PANEL	A5
TOP COWLING	A5-6
UPPER CASING	F1-2
-MODELS IN THIS CATALOG	A8

CONTINUED ON NEXT FRAME ►

LOWER CASING DRIVE 1 SX



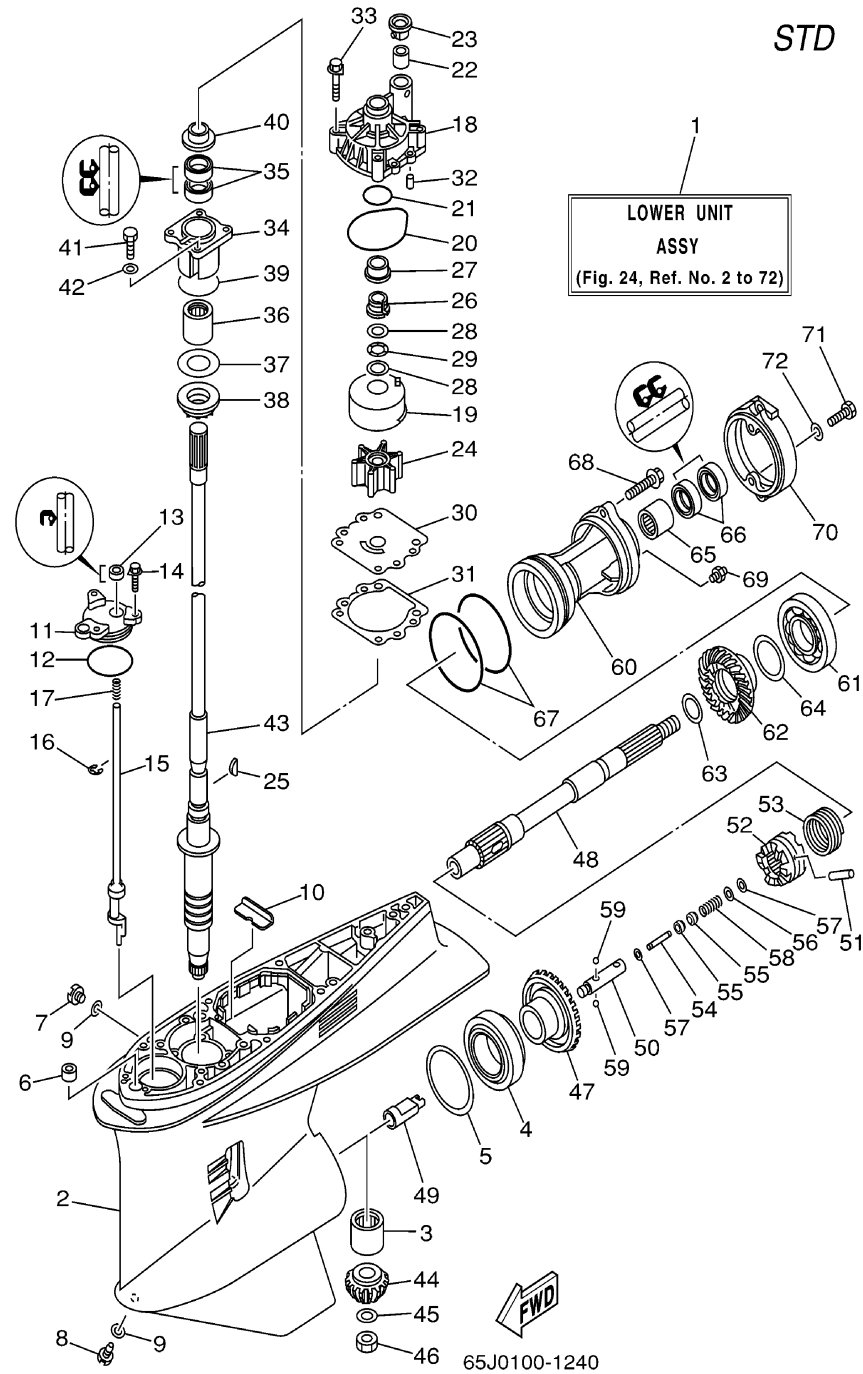
Ref. No.	Part Number	Description	Qty	Remarks
47	61A-45560-03-00	GEAR 1 (29T)	1	
48	69J-45611-00-00	SHAFT, PROPELLER	1	
49	61A-45641-02-00	SHIFTER	1	
50	61A-45634-01-00	SLIDE, SHIFT	1	
51	61A-45632-00-00	PIN, CROSS	1	
52	61A-45631-03-00	CLUTCH, DOG	1	
53	61A-45633-00-00	RING, CROSS PIN	1	
54	6H1-45668-00-00	SHAFT, FREE	1	
55	61A-45635-00-00	PLUNGER, SHIFT	2	
56	90201-02M00-00	WASHER, PLATE	1	
57	90183-02M03-00	NUT, SPRING	2	
58	90501-10M77-00	SPRING, COMPRESSION	1	
59	93501-04011-00	BALL	2	
60	61A-45332-02-94	HOUSING, BEARING	1	
61	93306-210U0-00	BEARING	1	
62	61A-45571-00-00	GEAR 2 (29T)	1	
63	90201-31M00-00	WASHER, PLATE	1	
64	61A-45577-00-10	SHIM (T:0.10MM)	1	UR
	61A-45577-00-12	SHIM (T:0.12MM)	1	UR
	61A-45577-00-15	SHIM (T:0.15MM)	1	UR
	61A-45577-00-18	SHIM (T:0.18MM)	1	UR
	61A-45577-00-30	SHIM (T:0.30MM)	1	UR
	61A-45577-00-40	SHIM (T:0.40MM)	1	UR
	61A-45577-00-50	SHIM (T:0.50MM)	1	UR
65	93317-330U5-00	BEARING	1	
66	93101-30M17-00	.OIL SEAL	2	
67	93211-04384-00	.O-RING	2	
68	90105-08M48-00	BOLT, FLANGE	2	
69	93700-09M00-00	NIPPLE, GREASE	1	
70	61A-45361-01-5B	CAP, LOWER CASING	1	

CONTENTS

BOTTOM COWLING	D5-7
BRACKET 1	E2-3
BRACKET 2	E4-5
CONTROL	D8-9,E1
CRANKSHAFT PISTON	A9 ,B1
CYLINDER CRANKCASE 1	A7-8
CYLINDER CRANKCASE 2	B2
ELECTRICAL 1	C7
ELECTRICAL 2	C8-9
ELECTRICAL 3	D1-2
ELECTRICAL 4	D3
FUEL 1	C2-4
FUEL 2	C5
FUEL INJECTION NOZZLE	B5-6
FUEL INJECTION PUMP	B3-4
GENERATOR	C6
INTAKE	B7
LOWER CASING DRIVE 1 SX	F3-6
LOWER CASING DRIVE 2 SX	F7
LOWER CASING DRIVE 3 LX	F8-9,G1-2
LOWER CASING DRIVE 4 LX	G3
METER	A4
OIL PUMP	B8
OIL TANK	B9 ,C1
POWER TRIM & TILT ASSY	E6-9
REMOTE CONTROL ASSY 1	G7-9
REMOTE CONTROL ASSY 2	A1-3
REMOTE CONTROL BOX	G6
REPAIR KIT 1	A6
REPAIR KIT 2	A7
STARTING MOTOR	D4
STEERING GUIDE	
ATTACHMENT 1	G4
STEERING GUIDE	
ATTACHMENT 2	G5
SWITCH PANEL	A5
TOP COWLING	A5-6
UPPER CASING	F1-2
-MODELS IN THIS CATALOG	A8

CONTINUED ON NEXT FRAME ►

LOWER CASING DRIVE 1 SX



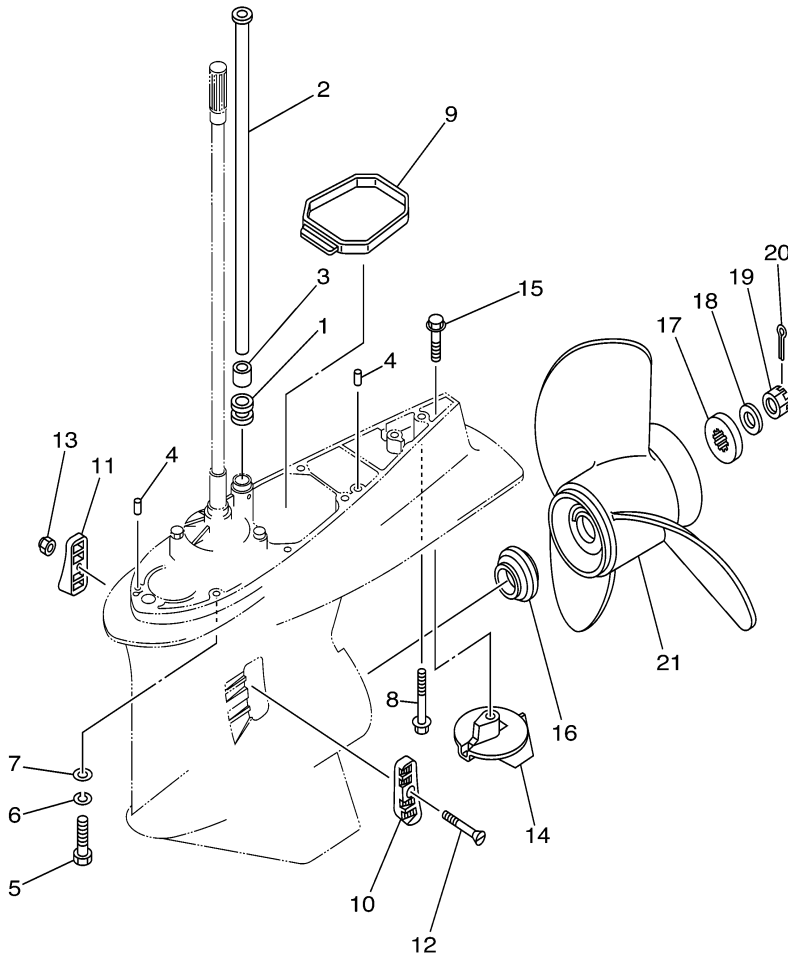
Ref. No.	Part Number	Description	Qty	Remarks
71	97095-08020-00	BOLT	2	
72	92995-08600-00	WASHER	2	

CONTENTS

BOTTOM COWLING	D5-7
BRACKET 1	E2-3
BRACKET 2	E4-5
CONTROL	D8-9,E1
CRANKSHAFT PISTON	A9 ,B1
CYLINDER CRANKCASE 1	A7-8
CYLINDER CRANKCASE 2	B2
ELECTRICAL 1	C7
ELECTRICAL 2	C8-9
ELECTRICAL 3	D1-2
ELECTRICAL 4	D3
FUEL 1	C2-4
FUEL 2	C5
FUEL INJECTION NOZZLE	B5-6
FUEL INJECTION PUMP	B3-4
GENERATOR	C6
INTAKE	B7
LOWER CASING DRIVE 1 SX	F3-6
LOWER CASING DRIVE 2 SX	F7
LOWER CASING DRIVE 3 LX	F8-9,G1-2
LOWER CASING DRIVE 4 LX	G3
METER	A4
OIL PUMP	B8
OIL TANK	B9 ,C1
POWER TRIM & TILT ASSY	E6-9
REMOTE CONTROL ASSY 1	G7-9
REMOTE CONTROL ASSY 2	A1-3
REMOTE CONTROL BOX	G6
REPAIR KIT 1	A6
REPAIR KIT 2	A7
STARTING MOTOR	D4
STEERING GUIDE	
ATTACHMENT 1	G4
STEERING GUIDE	
ATTACHMENT 2	G5
SWITCH PANEL	A5
TOP COWLING	A5-6
UPPER CASING	F1-2
-MODELS IN THIS CATALOG	A8

LOWER CASING DRIVE 2 SX

STD



65J2100-3260

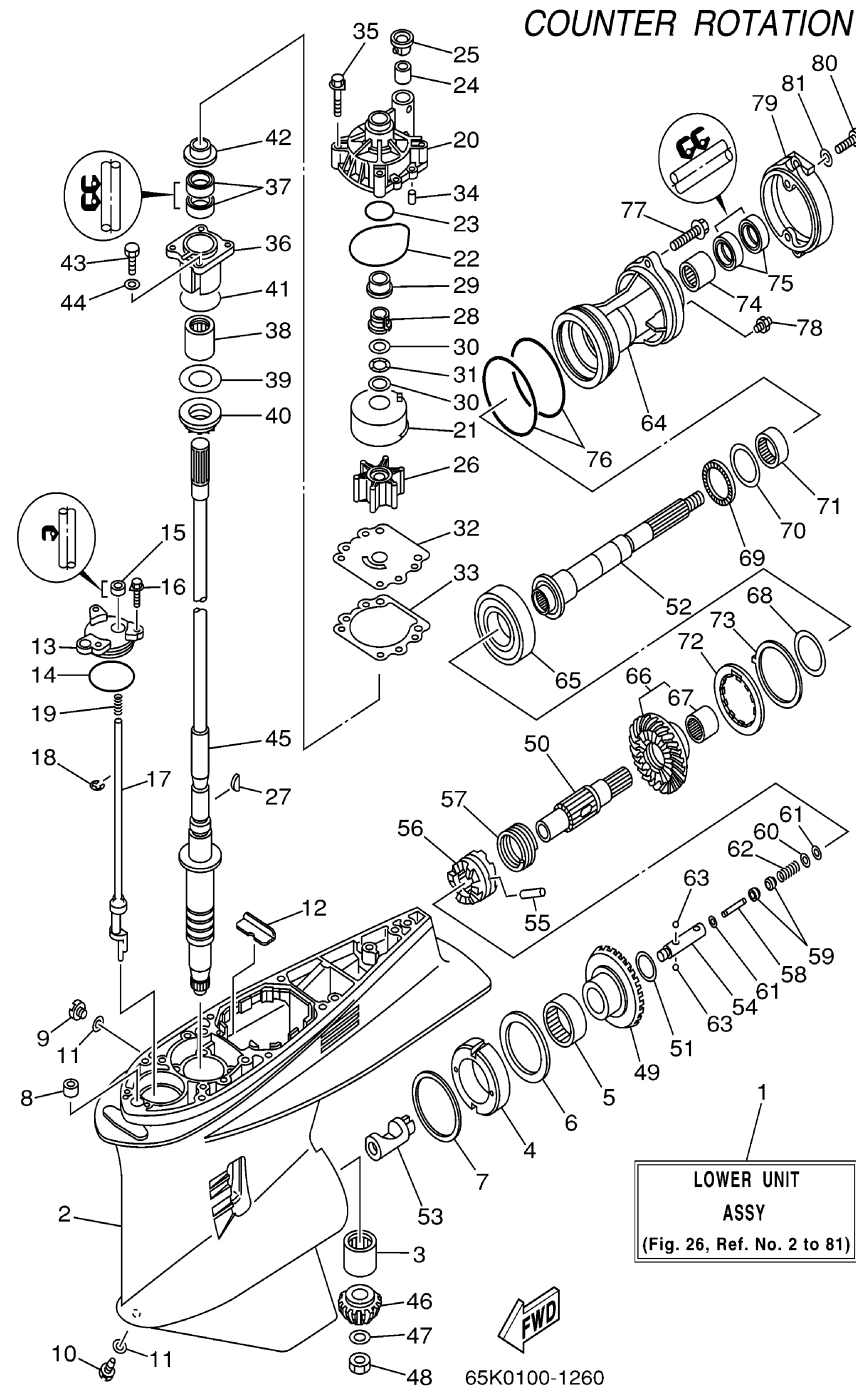
Ref. No.	Part Number	Description	Qty	Remarks
1	6E5-44366-00-00	DAMPER, WATER SEAL	1	
2	61A-44361-20-00	TUBE, WATER	1	UR X
	61A-44361-30-00	TUBE, WATER	1	UR U
3	6E5-44365-00-00	DAMPER, WATER SEAL	1	
4	93608-12M05-00	PIN, DOWEL	2	
5	97095-10045-00	BOLT	7	
6	92995-10100-00	WASHER	7	
7	92995-10600-00	WASHER	7	
8	90119-10MA2-00	BOLT, WITH WASHER	1	
9	61A-45375-00-00	DAMPER, SEAL	1	
10	61A-45214-10-00	COVER, WATER INLET 1	1	
11	61A-45215-10-00	COVER, WATER INLET 2	1	
12	90152-05003-00	SCREW, COUNTERSUNK	1	
13	90185-05002-00	NUT, SELF-LOCKING	1	
14	61A-45371-00-00	TAB-TRIM	1	
15	90105-10M00-00	BOLT, FLANGE	1	
16	6E5-45987-01-00	SPACER	1	
17	688-45997-01-00	SPACER	1	
18	92990-18200-00	WASHER	1	
19	90171-18M04-00	NUT, CASTLE	1	
20	91490-40030-00	PIN, COTTER	1	
21	6G5-45972-02-98	PROPELLER (3X13-3/4"X21"-M)	1	UR
	6G5-45970-02-98	PROPELLER (3X15-1/4"X15"-M)	1	UR
	61A-45974-00-98	PROPELLER (3X14-1/2"X19"-T)	1	UR
	61A-45978-00-98	PROPELLER (3X15"X17"-T) ...	1	UR
	61A-45972-00-98	PROPELLER (3X14-1/2"X21"-T)	1	UR
	6G5-45974-03-98	PROPELLER (3X13-3/4"X19"-M2)	1	UR
	6G5-45978-03-98	PROPELLER (3X13-3/4"X17"-M2)	1	UR
	66K-45972-B0-00	PROPELLER (3X14-1/2"X25"-M2)	1	UR

CONTENTS

BOTTOM COWLING	D5-7
BRACKET 1	E2-3
BRACKET 2	E4-5
CONTROL	D8-9,E1
CRANKSHAFT PISTON	A9 ,B1
CYLINDER CRANKCASE 1	A7-8
CYLINDER CRANKCASE 2	B2
ELECTRICAL 1	C7
ELECTRICAL 2	C8-9
ELECTRICAL 3	D1-2
ELECTRICAL 4	D3
FUEL 1	C2-4
FUEL 2	C5
FUEL INJECTION NOZZLE	B5-6
FUEL INJECTION PUMP	B3-4
GENERATOR	C6
INTAKE	B7
LOWER CASING DRIVE 1 SX	F3-6
LOWER CASING DRIVE 2 SX	F7
LOWER CASING DRIVE 3 LX	F8-9,G1-2
LOWER CASING DRIVE 4 LX	G3
METER	A4
OIL PUMP	B8
OIL TANK	B9 ,C1
POWER TRIM & TILT ASSY	E6-9
REMOTE CONTROL ASSY 1	G7-9
REMOTE CONTROL ASSY 2	A1-3
REMOTE CONTROL BOX	G6
REPAIR KIT 1	A6
REPAIR KIT 2	A7
STARTING MOTOR	D4
STEERING GUIDE ATTACHMENT 1	G4
STEERING GUIDE ATTACHMENT 2	G5
SWITCH PANEL	A5
TOP COWLING	A5-6
UPPER CASING	F1-2
-MODELS IN THIS CATALOG	A8

CONTINUED ON NEXT FRAME ►

LOWER CASING DRIVE 3 LX



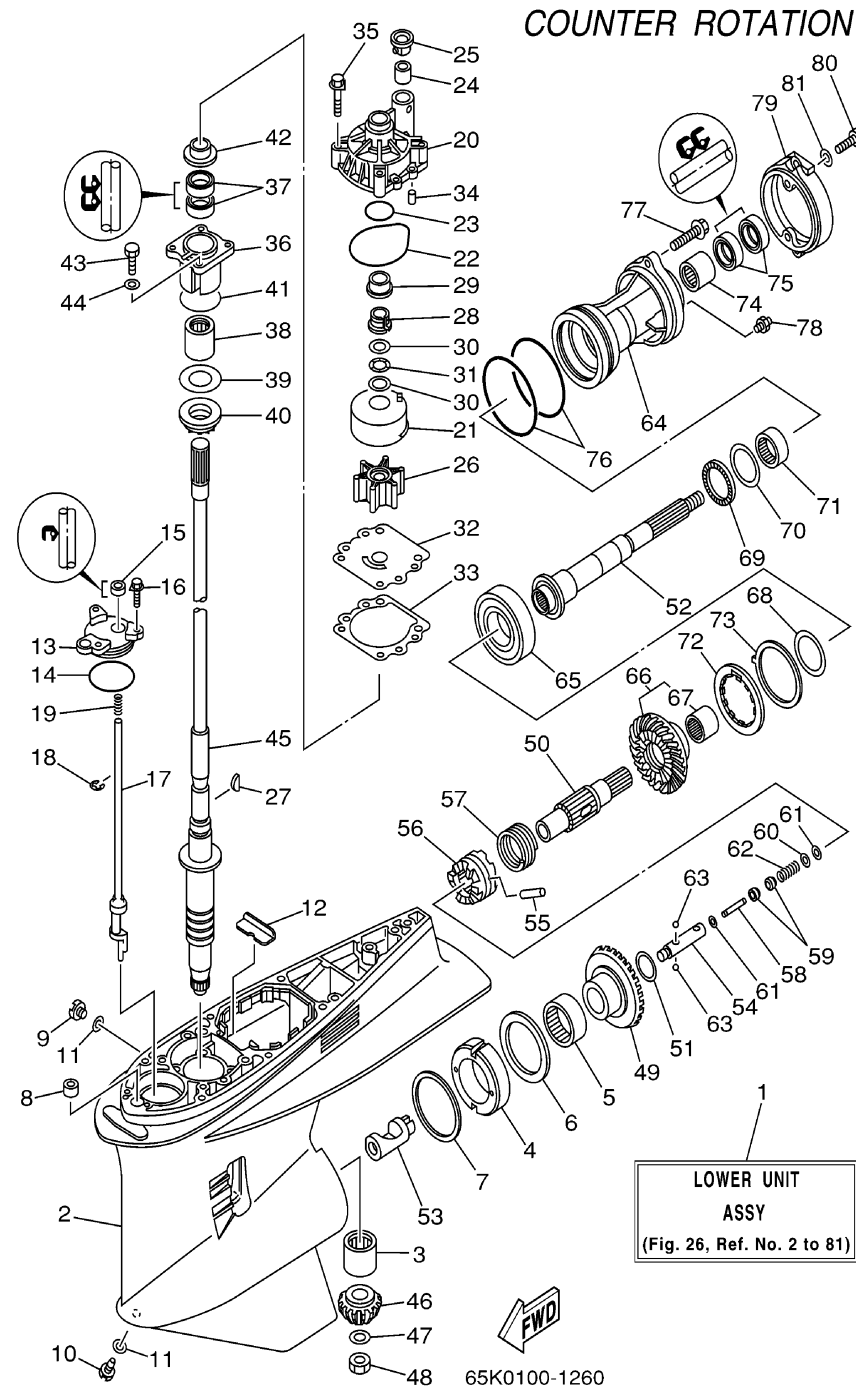
Ref. No.	Part Number	Description	Qty	Remarks
1	65K-45300-21-8D	LOWER UNIT ASSY	1	X
2	61A-45301-10-8D	CASING, LOWER	1	
3	93311-832V2-00	BEARING	1	
4	61B-45538-01-00	SPACER 1	1	
5	93315-660W3-00	BEARING	1	
6	93341-670V0-00	BEARING	1	
7	61A-45567-00-10	SHIM (T:0.10MM)	1	UR
	61A-45567-00-12	SHIM (T:0.12MM)	1	UR
	61A-45567-00-18	SHIM (T:0.18MM)	1	UR
	61A-45567-00-50	SHIM (T:0.50MM)	1	UR
	61A-45567-00-40	SHIM (T:0.40MM)	1	UR
	61A-45567-00-30	SHIM (T:0.30MM)	1	UR
	61A-45567-00-15	SHIM (T:0.15MM)	1	UR
8	663-44366-00-00	DAMPER, WATER SEAL	1	
9	90340-08002-00	PLUG, STRAIGHT SCREW	1	
10	688-45341-10-00	PLUG, DRAIN	1	
11	90430-08020-00	GASKET	2	
12	61A-45376-00-94	GUIDE, SEAL DAMPER	1	
13	61A-45321-01-00	PLATE	1	
14	93210-64488-00	O-RING	1	
15	93106-09014-00	.OIL SEAL	1	
16	90119-06M10-00	BOLT, WITH WASHER	3	
17	60W-44150-00-00	SHIFT CAM ASSY	1	
18	99001-08600-00	CIRCLIP	1	
19	90501-11M10-00	SPRING, COMPRESSION	1	
20	61A-44311-01-00	HOUSING, WATER PUMP	1	
21	61A-44322-02-00	.INSERT, CARTRIDGE	1	
22	93210-86M38-00	O-RING	1	
23	93210-37160-00	O-RING	1	
24	6E5-44365-00-00	DAMPER, WATER SEAL	1	

CONTENTS

BOTTOM COWLING	D5-7
BRACKET 1	E2-3
BRACKET 2	E4-5
CONTROL	D8-9,E1
CRANKSHAFT PISTON	A9 ,B1
CYLINDER CRANKCASE 1	A7-8
CYLINDER CRANKCASE 2	B2
ELECTRICAL 1	C7
ELECTRICAL 2	C8-9
ELECTRICAL 3	D1-2
ELECTRICAL 4	D3
FUEL 1	C2-4
FUEL 2	C5
FUEL INJECTION NOZZLE	B5-6
FUEL INJECTION PUMP	B3-4
GENERATOR	C6
INTAKE	B7
LOWER CASING DRIVE 1 SX	F3-6
LOWER CASING DRIVE 2 SX	F7
LOWER CASING DRIVE 3 LX	F8-9,G1-2
LOWER CASING DRIVE 4 LX	G3
METER	A4
OIL PUMP	B8
OIL TANK	B9 ,C1
POWER TRIM & TILT ASSY	E6-9
REMOTE CONTROL ASSY 1	G7-9
REMOTE CONTROL ASSY 2	A1-3
REMOTE CONTROL BOX	G6
REPAIR KIT 1	A6
REPAIR KIT 2	A7
STARTING MOTOR	D4
STEERING GUIDE	
ATTACHMENT 1	G4
STEERING GUIDE	
ATTACHMENT 2	G5
SWITCH PANEL	A5
TOP COWLING	A5-6
UPPER CASING	F1-2
-MODELS IN THIS CATALOG	A8

CONTINUED ON NEXT FRAME ►

LOWER CASING DRIVE 3 LX



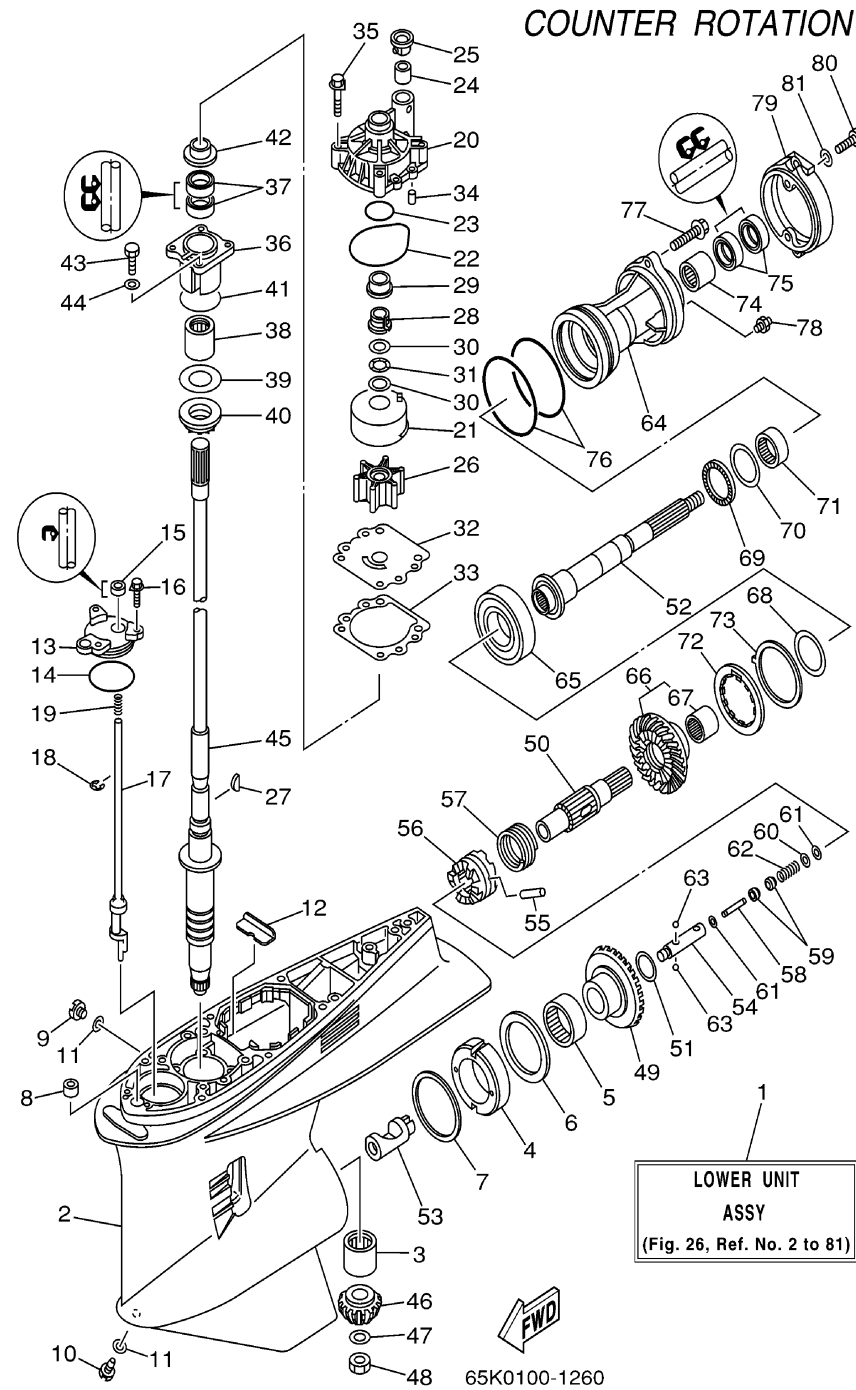
Ref. No.	Part Number	Description	Qty	Remarks
25	6E5-44312-00-00	COVER, WATER PUMP HOUSING	1	
26	6E5-44352-01-00	IMPELLER	1	
27	90280-04M05-00	.KEY, WOODRUFF	1	
28	61A-45538-00-00	SPACER 1	1	
29	61A-45527-00-00	COLLAR, DRIVE SHAFT	1	
30	90201-22M01-00	WASHER, PLATE	2	
31	90206-22M19-00	WASHER, WAVE	1	
32	6G5-44323-00-00	.OUTER PLATE, CARTRIDGE	1	
33	6E5-44315-A0-00	GASKET, WATER PUMP	1	
34	93606-12019-00	PIN, DOWEL	2	
35	90119-08M14-00	.BOLT, WITH WASHER	4	
36	61A-45331-00-94	HOUSING, BEARING	1	
37	93101-28M16-00	.OIL SEAL	2	
38	93317-330U2-00	BEARING	1	
39	61A-45587-00-10	SHIM (T:0.10MM)	1	UR
	61A-45587-00-12	SHIM (T:0.12MM)	1	UR
	61A-45587-00-15	SHIM (T:0.15MM)	1	UR
	61A-45587-00-18	SHIM (T:0.18MM)	1	UR
	61A-45587-00-30	SHIM (T:0.30MM)	1	UR
	61A-45587-00-40	SHIM (T:0.40MM)	1	UR
	61A-45587-00-50	SHIM (T:0.50MM)	1	UR
40	93341-930U9-00	BEARING	1	
41	93210-55M14-00	.O-RING	1	
42	6E5-45344-00-00	COVER, OIL SEAL	1	
43	97095-08025-00	BOLT	4	
44	92995-08600-00	WASHER	4	
45	61A-45501-20-00	DRIVE SHAFT COMP.	1	X
46	61A-45551-03-00	PINION (19T)	1	
47	90201-16M00-00	WASHER, PLATE	1	

CONTENTS

BOTTOM COWLING	D5-7
BRACKET 1	E2-3
BRACKET 2	E4-5
CONTROL	D8-9,E1
CRANKSHAFT PISTON	A9 ,B1
CYLINDER CRANKCASE 1	A7-8
CYLINDER CRANKCASE 2	B2
ELECTRICAL 1	C7
ELECTRICAL 2	C8-9
ELECTRICAL 3	D1-2
ELECTRICAL 4	D3
FUEL 1	C2-4
FUEL 2	C5
FUEL INJECTION NOZZLE	B5-6
FUEL INJECTION PUMP	B3-4
GENERATOR	C6
INTAKE	B7
LOWER CASING DRIVE 1 SX	F3-6
LOWER CASING DRIVE 2 SX	F7
LOWER CASING DRIVE 3 LX	F8-9,G1-2
LOWER CASING DRIVE 4 LX	G3
METER	A4
OIL PUMP	B8
OIL TANK	B9 ,C1
POWER TRIM & TILT ASSY	E6-9
REMOTE CONTROL ASSY 1	G7-9
REMOTE CONTROL ASSY 2	A1-3
REMOTE CONTROL BOX	G6
REPAIR KIT 1	A6
REPAIR KIT 2	A7
STARTING MOTOR	D4
STEERING GUIDE ATTACHMENT 1	G4
STEERING GUIDE ATTACHMENT 2	G5
SWITCH PANEL	A5
TOP COWLING	A5-6
UPPER CASING	F1-2
-MODELS IN THIS CATALOG	A8

CONTINUED ON NEXT FRAME ➤

LOWER CASING DRIVE 3 LX



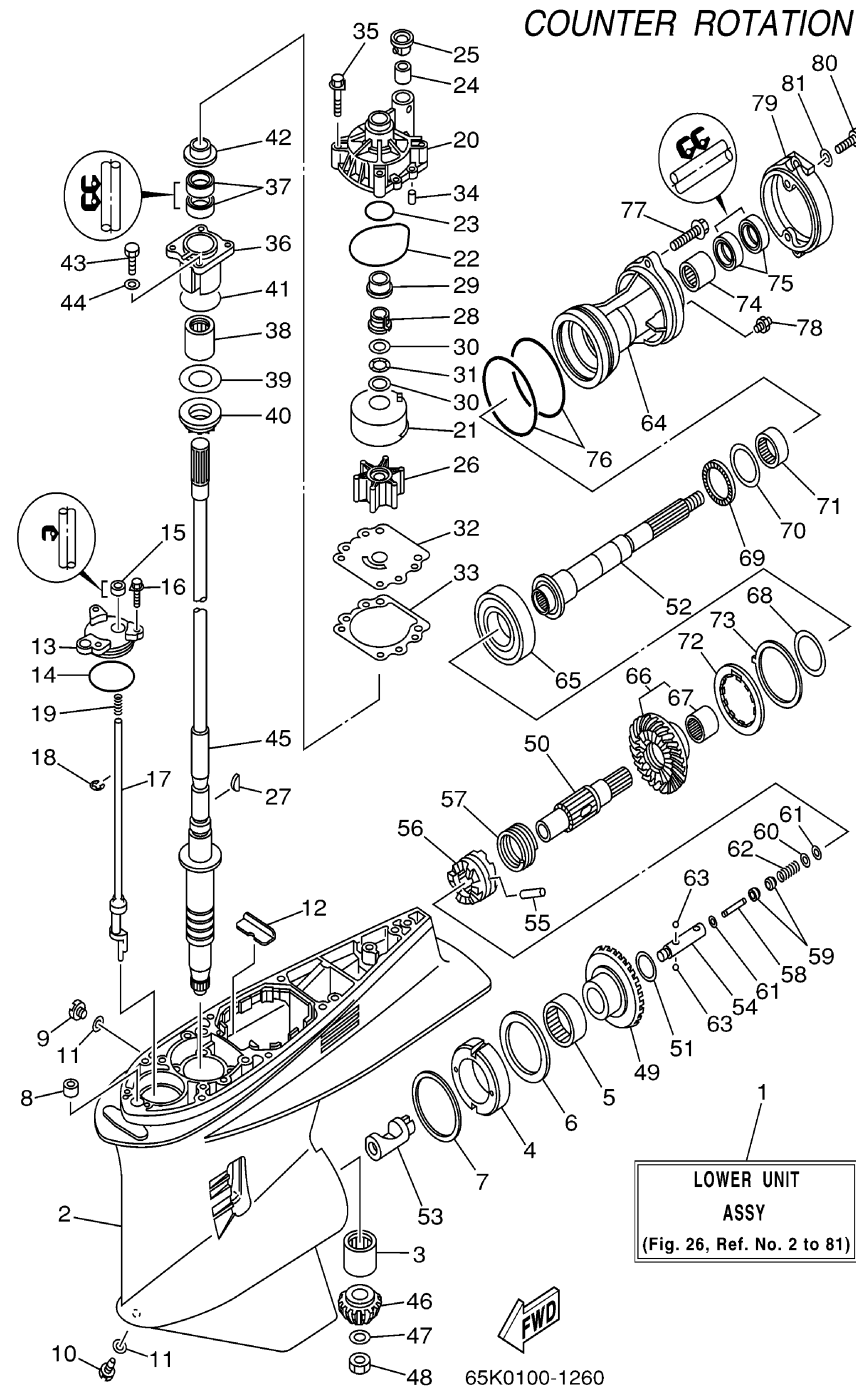
Ref. No.	Part Number	Description	Qty	Remarks
48	90170-16M19-00	NUT	1	
49	61B-45560-01-00	GEAR	1	
50	61B-45611-01-00	SHAFT, PROPELLER	1	
51	90201-29M01-00	WASHER, PLATE	1	
52	61B-45611-20-00	SHAFT, PROPELLER	1	
53	61B-45641-01-00	SHIFTER	1	
54	61A-45634-01-00	SLIDE, SHIFT	1	
55	61A-45632-00-00	PIN, CROSS	1	
56	61A-45631-03-00	CLUTCH, DOG	1	
57	61A-45633-00-00	RING, CROSS PIN	1	
58	6H1-45668-00-00	SHAFT, FREE	1	
59	61A-45635-00-00	PLUNGER, SHIFT	2	
60	90201-02M00-00	WASHER, PLATE	1	
61	90183-02M03-00	NUT, SPRING	2	
62	90501-10M77-00	SPRING, COMPRESSION	1	
63	93501-04011-00	BALL	2	
64	61B-45332-01-94	HOUSING, BEARING	1	
65	93332-000W2-00	BEARING	1	
66	61B-45570-03-00	GEAR	1	
67	93315-430U8-00	. BEARING	1	
68	61A-45577-00-10	SHIM (T:0.10MM)	1	UR
	61A-45577-00-12	SHIM (T:0.12MM)	1	UR
	61A-45577-00-15	SHIM (T:0.15MM)	1	UR
	61A-45577-00-18	SHIM (T:0.18MM)	1	UR
	61A-45577-00-30	SHIM (T:0.30MM)	1	UR
	61A-45577-00-40	SHIM (T:0.40MM)	1	UR
	61A-45577-00-50	SHIM (T:0.50MM)	1	UR
69	93341-440U5-00	BEARING	1	
70	6K1-45578-01-10	SHIM (T:0.10MM)	1	UR
	6K1-45578-01-12	SHIM (T:0.12MM)	1	UR

CONTENTS

BOTTOM COWLING	D5-7
BRACKET 1	E2-3
BRACKET 2	E4-5
CONTROL	D8-9,E1
CRANKSHAFT PISTON	A9 ,B1
CYLINDER CRANKCASE 1	A7-8
CYLINDER CRANKCASE 2	B2
ELECTRICAL 1	C7
ELECTRICAL 2	C8-9
ELECTRICAL 3	D1-2
ELECTRICAL 4	D3
FUEL 1	C2-4
FUEL 2	C5
FUEL INJECTION NOZZLE	B5-6
FUEL INJECTION PUMP	B3-4
GENERATOR	C6
INTAKE	B7
LOWER CASING DRIVE 1 SX	F3-6
LOWER CASING DRIVE 2 SX	F7
LOWER CASING DRIVE 3 LX	F8-9,G1-2
LOWER CASING DRIVE 4 LX	G3
METER	A4
OIL PUMP	B8
OIL TANK	B9 ,C1
POWER TRIM & TILT ASSY	E6-9
REMOTE CONTROL ASSY 1	G7-9
REMOTE CONTROL ASSY 2	A1-3
REMOTE CONTROL BOX	G6
REPAIR KIT 1	A6
REPAIR KIT 2	A7
STARTING MOTOR	D4
STEERING GUIDE	
ATTACHMENT 1	G4
STEERING GUIDE	
ATTACHMENT 2	G5
SWITCH PANEL	A5
TOP COWLING	A5-6
UPPER CASING	F1-2
-MODELS IN THIS CATALOG	A8

CONTINUED ON NEXT FRAME ►

LOWER CASING DRIVE 3 LX



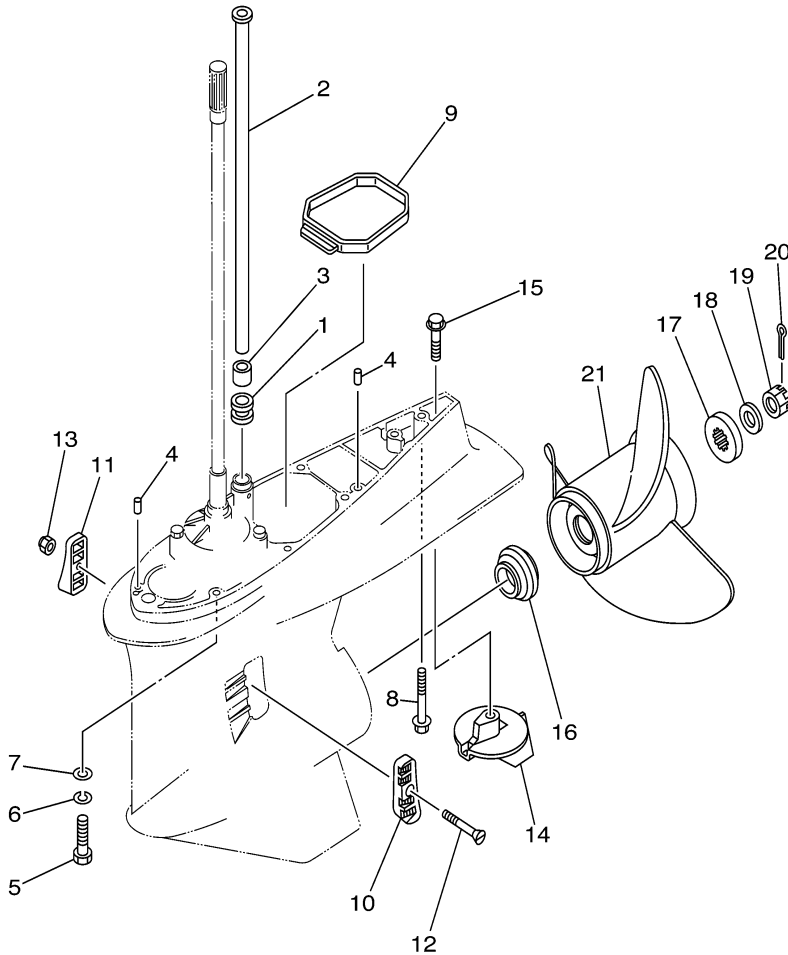
Ref. No.	Part Number	Description	Qty	Remarks
70	6K1-45578-01-15	SHIM (T:0.15MM)	1	UR
	6K1-45578-01-18	SHIM (T:0.18MM)	1	UR
	6K1-45578-01-30	SHIM (T:0.30MM)	1	UR
	6K1-45578-01-40	SHIM (T:0.40MM)	1	UR
	6K1-45578-01-50	SHIM (T:0.50MM)	1	UR
71	93315-440V6-00	BEARING	1	
72	61B-45384-00-00	NUT	1	
73	61B-45383-00-00	WASHER, CLAW	1	
74	93317-330U5-00	BEARING	1	
75	93101-30M17-00	.OIL SEAL	2	
76	93211-04384-00	.O-RING	2	
77	90105-08M48-00	BOLT, FLANGE	2	
78	93700-09M00-00	NIPPLE, GREASE	1	
79	61A-45361-01-5B	CAP, LOWER CASING	1	
80	97095-08020-00	BOLT	2	
81	92995-08600-00	WASHER	2	

CONTENTS

BOTTOM COWLING	D5-7
BRACKET 1	E2-3
BRACKET 2	E4-5
CONTROL	D8-9,E1
CRANKSHAFT PISTON	A9 ,B1
CYLINDER CRANKCASE 1	A7-8
CYLINDER CRANKCASE 2	B2
ELECTRICAL 1	C7
ELECTRICAL 2	C8-9
ELECTRICAL 3	D1-2
ELECTRICAL 4	D3
FUEL 1	C2-4
FUEL 2	C5
FUEL INJECTION NOZZLE	B5-6
FUEL INJECTION PUMP	B3-4
GENERATOR	C6
INTAKE	B7
LOWER CASING DRIVE 1 SX	F3-6
LOWER CASING DRIVE 2 SX	F7
LOWER CASING DRIVE 3 LX	F8-9,G1-2
LOWER CASING DRIVE 4 LX	G3
METER	A4
OIL PUMP	B8
OIL TANK	B9 ,C1
POWER TRIM & TILT ASSY	E6-9
REMOTE CONTROL ASSY 1	G7-9
REMOTE CONTROL ASSY 2	A1-3
REMOTE CONTROL BOX	G6
REPAIR KIT 1	A6
REPAIR KIT 2	A7
STARTING MOTOR	D4
STEERING GUIDE ATTACHMENT 1	G4
STEERING GUIDE ATTACHMENT 2	G5
SWITCH PANEL	A5
TOP COWLING	A5-6
UPPER CASING	F1-2
-MODELS IN THIS CATALOG	A8

LOWER CASING DRIVE 4 LX

COUNTER ROTATION



Ref. No.	Part Number	Description	Qty	Remarks
1	6E5-44366-00-00	DAMPER, WATER SEAL	1	
2	61A-44361-20-00	TUBE, WATER	1	X
3	6E5-44365-00-00	DAMPER, WATER SEAL	1	
4	93608-12M05-00	PIN, DOWEL	2	
5	97095-10045-00	BOLT	7	
6	92995-10100-00	WASHER	7	
7	92995-10600-00	WASHER	7	
8	90119-10MA2-00	BOLT, WITH WASHER	1	
9	61A-45375-00-00	DAMPER, SEAL	1	
10	61A-45214-10-00	COVER, WATER INLET 1	1	
11	61A-45215-10-00	COVER, WATER INLET 2	1	
12	90152-05003-00	SCREW, COUNTERSUNK	1	
13	90185-05002-00	NUT, SELF-LOCKING	1	
14	61A-45371-00-00	TAB-TRIM	1	
15	90105-10M00-00	BOLT, FLANGE	1	
16	6E5-45987-01-00	SPACER	1	
17	688-45997-01-00	SPACER	1	
18	92990-18200-00	WASHER	1	
19	90171-18M04-00	NUT, CASTLE	1	
20	91490-40030-00	PIN, COTTER	1	
21	6K1-45972-01-98	PROPELLER (3X13-3/4"X21"-ML)	1	UR
	6K1-45970-01-98	PROPELLER (3X15-1/4"X15"-ML)	1	UR
	61B-45974-00-98	PROPELLER (3X14-1/2"X19"-TL)	1	UR
	61B-45978-00-98	PROPELLER (3X15"X17"-TL) ..	1	UR
	6K1-45974-02-98	PROPELLER (3X13-3/4"X19"-ML1)	1	UR
	6K1-45978-02-98	PROPELLER (3X13-3/4"X17"-ML1)	1	UR

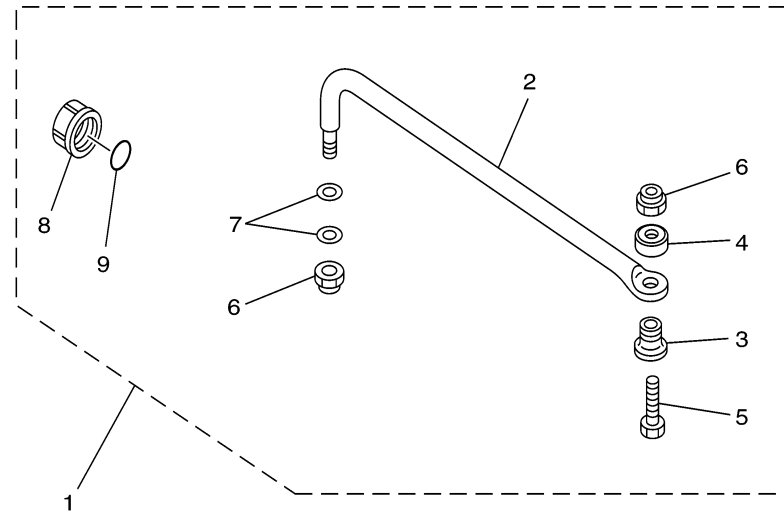
CONTENTS

BOTTOM COWLING	D5-7
BRACKET 1	E2-3
BRACKET 2	E4-5
CONTROL	D8-9,E1
CRANKSHAFT PISTON	A9 ,B1
CYLINDER CRANKCASE 1	A7-8
CYLINDER CRANKCASE 2	B2
ELECTRICAL 1	C7
ELECTRICAL 2	C8-9
ELECTRICAL 3	D1-2
ELECTRICAL 4	D3
FUEL 1	C2-4
FUEL 2	C5
FUEL INJECTION NOZZLE	B5-6
FUEL INJECTION PUMP	B3-4
GENERATOR	C6
INTAKE	B7
LOWER CASING DRIVE 1 SX	F3-6
LOWER CASING DRIVE 2 SX	F7
LOWER CASING DRIVE 3 LX	F8-9,G1-2
LOWER CASING DRIVE 4 LX	G3
METER	A4
OIL PUMP	B8
OIL TANK	B9 ,C1
POWER TRIM & TILT ASSY	E6-9
REMOTE CONTROL ASSY 1	G7-9
REMOTE CONTROL ASSY 2	A1-3
REMOTE CONTROL BOX	G6
REPAIR KIT 1	A6
REPAIR KIT 2	A7
STARTING MOTOR	D4
STEERING GUIDE ATTACHMENT 1	G4
STEERING GUIDE ATTACHMENT 2	G5
SWITCH PANEL	A5
TOP COWLING	A5-6
UPPER CASING	F1-2
-MODELS IN THIS CATALOG	A8

65K2100-3280

STEERING GUIDE ATTACHMENT 1

Ref. No.	Part Number	Description	Qty	Remarks
1	6E5-61350-02-00	STEERING GUIDE ATTACHMENT KIT	1	AP SX225, SX250
2	6E5-61351-01-00	. .ROD, STEERING LINK	1	
3	90387-10M61-00	. .COLLAR	1	
4	90560-12M01-00	. .SPACER	1	
5	6E5-61355-00-00	. BOLT	1	
6	90185-09M01-00	. NUT, SELF-LOCKING	2	
7	90201-10M20-00	. WASHER, PLATE	2	
8	6E5-43145-01-00	. CAP, CLAMP BRACKET	1	
9	93210-16275-00	. O-RING	1	



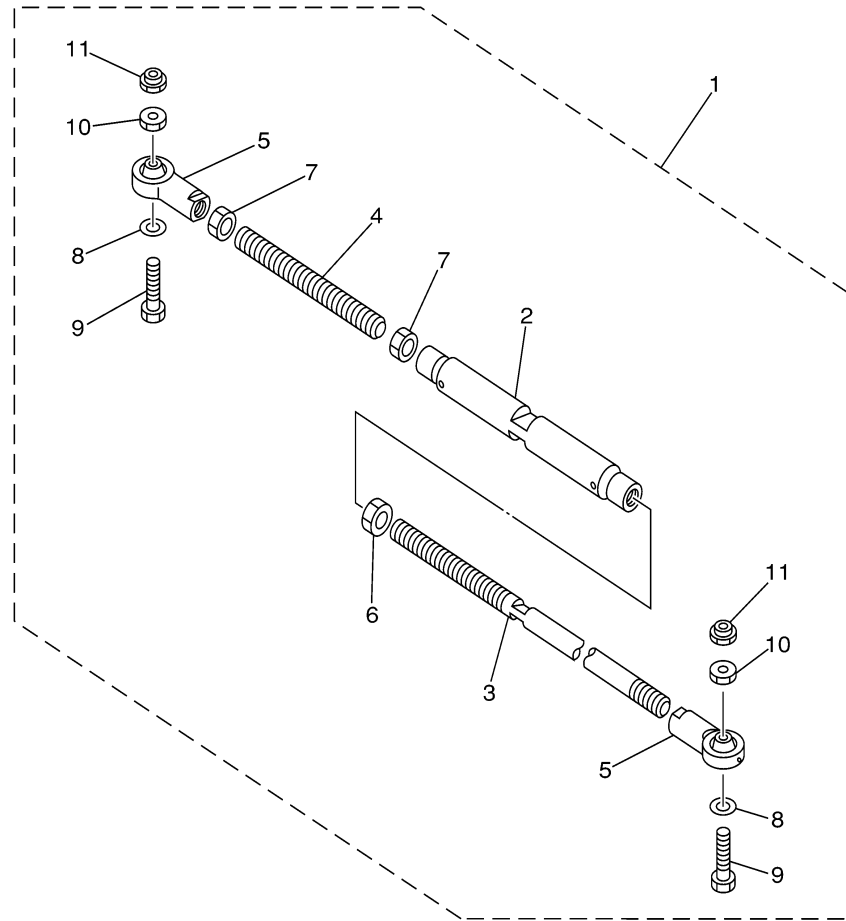
CONTENTS

BOTTOM COWLING	D5-7
BRACKET 1	E2-3
BRACKET 2	E4-5
CONTROL	D8-9,E1
CRANKSHAFT PISTON	A9 ,B1
CYLINDER CRANKCASE 1	A7-8
CYLINDER CRANKCASE 2	B2
ELECTRICAL 1	C7
ELECTRICAL 2	C8-9
ELECTRICAL 3	D1-2
ELECTRICAL 4	D3
FUEL 1	C2-4
FUEL 2	C5
FUEL INJECTION NOZZLE	B5-6
FUEL INJECTION PUMP	B3-4
GENERATOR	C6
INTAKE	B7
LOWER CASING DRIVE 1 SX	F3-6
LOWER CASING DRIVE 2 SX	F7
LOWER CASING DRIVE 3 LX	F8-9,G1-2
LOWER CASING DRIVE 4 LX	G3
METER	A4
OIL PUMP	B8
OIL TANK	B9 ,C1
POWER TRIM & TILT ASSY	E6-9
REMOTE CONTROL ASSY 1	G7-9
REMOTE CONTROL ASSY 2	A1-3
REMOTE CONTROL BOX	G6
REPAIR KIT 1	A6
REPAIR KIT 2	A7
STARTING MOTOR	D4
STEERING GUIDE ATTACHMENT 1	G4
STEERING GUIDE ATTACHMENT 2	G5
SWITCH PANEL	A5
TOP COWLING	A5-6
UPPER CASING	F1-2
-MODELS IN THIS CATALOG	A8

67H0100-9290

STEERING GUIDE ATTACHMENT 2

Ref. No.	Part Number	Description	Qty	Remarks
1	6E5-61301-01-00	TWIN KIT (L:600-800MM)	1	AP LX225, LX250
2	6E5-61313-00-00	..ADJUSTER	1	
3	6E5-61311-11-00	..TIE BAR	1	
4	6E5-61315-00-00	..TIE BAR	1	
5	6E5-61303-00-00	..STEERING EYE COMP.	2	
6	90170-14M06-00	..NUT	1	
7	95380-14700-00	..NUT	2	
8	90201-10M76-00	..WASHER, PLATE	2	
9	90101-09M70-00	..BOLT	2	
10	90170-09M05-00	..NUT	2	
11	90185-09M01-00	..NUT, SELF-LOCKING	2	



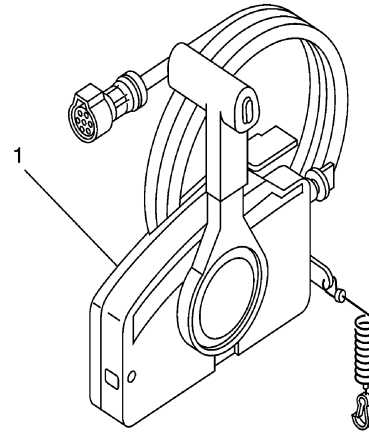
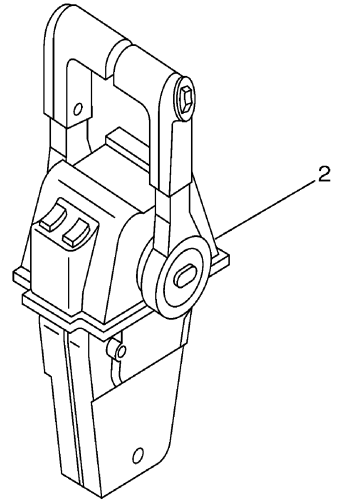
CONTENTS

BOTTOM COWLING	D5-7
BRACKET 1	E2-3
BRACKET 2	E4-5
CONTROL	D8-9,E1
CRANKSHAFT PISTON	A9 ,B1
CYLINDER CRANKCASE 1	A7-8
CYLINDER CRANKCASE 2	B2
ELECTRICAL 1	C7
ELECTRICAL 2	C8-9
ELECTRICAL 3	D1-2
ELECTRICAL 4	D3
FUEL 1	C2-4
FUEL 2	C5
FUEL INJECTION NOZZLE	B5-6
FUEL INJECTION PUMP	B3-4
GENERATOR	C6
INTAKE	B7
LOWER CASING DRIVE 1 SX	F3-6
LOWER CASING DRIVE 2 SX	F7
LOWER CASING DRIVE 3 LX	F8-9,G1-2
LOWER CASING DRIVE 4 LX	G3
METER	A4
OIL PUMP	B8
OIL TANK	B9 ,C1
POWER TRIM & TILT ASSY	E6-9
REMOTE CONTROL ASSY 1	G7-9
REMOTE CONTROL ASSY 2	A1-3
REMOTE CONTROL BOX	G6
REPAIR KIT 1	A6
REPAIR KIT 2	A7
STARTING MOTOR	D4
STEERING GUIDE	
ATTACHMENT 1	G4
STEERING GUIDE	
ATTACHMENT 2	G5
SWITCH PANEL	A5
TOP COWLING	A5-6
UPPER CASING	F1-2
-MODELS IN THIS CATALOG	A8

67H0100-0300

REMOTE CONTROL BOX

Ref. No.	Part Number	Description	Qty	Remarks
1	703-48205-17-00	REMOTE CONTROL ASSY (10P)	1	AP SX225, SX250 WITH PT/T SW.
2	704-48207-23-00	REMOTE CONTROL ASSY ...	1	AP LX225, LX250 WITH PT/T SW.



CONTENTS

BOTTOM COWLING	D5-7
BRACKET 1	E2-3
BRACKET 2	E4-5
CONTROL	D8-9,E1
CRANKSHAFT PISTON	A9 ,B1
CYLINDER CRANKCASE 1	A7-8
CYLINDER CRANKCASE 2	B2
ELECTRICAL 1	C7
ELECTRICAL 2	C8-9
ELECTRICAL 3	D1-2
ELECTRICAL 4	D3
FUEL 1	C2-4
FUEL 2	C5
FUEL INJECTION NOZZLE	B5-6
FUEL INJECTION PUMP	B3-4
GENERATOR	C6
INTAKE	B7
LOWER CASING DRIVE 1 SX	F3-6
LOWER CASING DRIVE 2 SX	F7
LOWER CASING DRIVE 3 LX	F8-9,G1-2
LOWER CASING DRIVE 4 LX	G3
METER	A4
OIL PUMP	B8
OIL TANK	B9 ,C1
POWER TRIM & TILT ASSY	E6-9
REMOTE CONTROL ASSY 1	G7-9
REMOTE CONTROL ASSY 2	A1-3
REMOTE CONTROL BOX	G6
REPAIR KIT 1	A6
REPAIR KIT 2	A7
STARTING MOTOR	D4
STEERING GUIDE	
ATTACHMENT 1	G4
STEERING GUIDE	
ATTACHMENT 2	G5
SWITCH PANEL	A5
TOP COWLING	A5-6
UPPER CASING	F1-2
-MODELS IN THIS CATALOG	A8



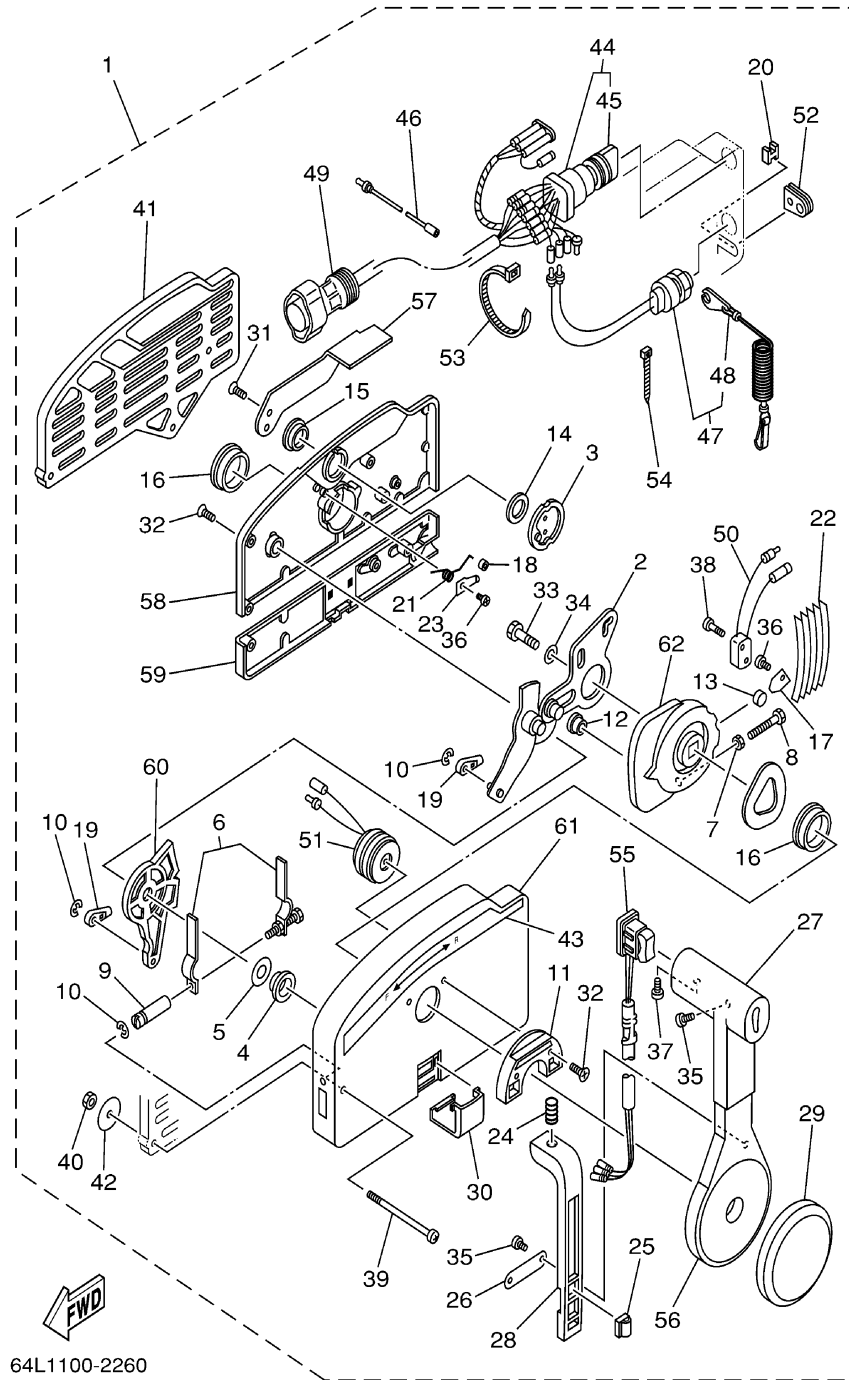
67H0100-9310

REMOTE CONTROL ASSY 1

Ref. No.	Part Number	Description	Qty	Remarks
1	703-48205-17-00	REMOTE CONTROL ASSY (10P)	1	AP SX225, SX250 WITH PT/T SW.
2	703-48261-01-00	. ARM, THROTTLE	1	
3	703-48153-00-00	. SHAFT, FREE ACCEL	1	
4	703-48235-00-00	. BUSHING	1	
5	703-48268-00-00	. SPACER	1	
6	703-48264-00-00	. FRICTION, THROTTLE	1	
7	95380-05600-00	. NUT	1	
8	97380-05025-00	. BOLT	1	
9	703-48265-00-00	. SHAFT, FRICTION	1	
10	93430-06024-00	. CIRCLIP	3	
11	703-48245-00-00	. PLATE, LOCK	1	
12	703-48252-00-00	. ROLLER, CAM	1	
13	701-48248-00-00	. ROLLER, FREE ACCEL	1	
14	703-48198-00-00	. WASHER, WAVE	1	
15	703-48243-00-00	. BUSHING	1	
16	703-48236-00-00	. BUSHING 1	2	
17	703-48189-00-00	. RETAINER 1	1	
18	703-48234-00-00	. ROLLER, DETENT	1	
19	703-48345-01-00	. CABLE END, REMOTE CONTROL 2	2	
20	703-48358-00-00	. ANCHOR, CABALE	1	
21	703-48244-00-00	. SPRING, FREE ACCEL	1	
22	703-48238-00-00	. SPRING, DETENT	5	
23	703-48246-00-00	. SPACER	1	
24	703-48227-00-00	. SPRING, NEUTRAL LOCK	1	
25	703-82594-00-00	. CLAMP	1	WITH PT/T SW.
26	703-48226-00-00	. PLATE, STOPPER	1	
27	703-48222-00-00	. GRIP, CONTROL LEVER	1	SINGLE
28	703-48223-00-00	. LOCK, NEUTRAL	1	

CONTENTS

BOTTOM COWLING	D5-7
BRACKET 1	E2-3
BRACKET 2	E4-5
CONTROL	D8-9,E1
CRANKSHAFT PISTON	A9 ,B1
CYLINDER CRANKCASE 1	A7-8
CYLINDER CRANKCASE 2	B2
ELECTRICAL 1	C7
ELECTRICAL 2	C8-9
ELECTRICAL 3	D1-2
ELECTRICAL 4	D3
FUEL 1	C2-4
FUEL 2	C5
FUEL INJECTION NOZZLE	B5-6
FUEL INJECTION PUMP	B3-4
GENERATOR	C6
INTAKE	B7
LOWER CASING DRIVE 1 SX	F3-6
LOWER CASING DRIVE 2 SX	F7
LOWER CASING DRIVE 3 LX	F8-9,G1-2
LOWER CASING DRIVE 4 LX	G3
METER	A4
OIL PUMP	B8
OIL TANK	B9 ,C1
POWER TRIM & TILT ASSY	E6-9
REMOTE CONTROL ASSY 1	G7-9
REMOTE CONTROL ASSY 2	A1-3
REMOTE CONTROL BOX	G6
REPAIR KIT 1	A6
REPAIR KIT 2	A7
STARTING MOTOR	D4
STEERING GUIDE ATTACHMENT 1	G4
STEERING GUIDE ATTACHMENT 2	G5
SWITCH PANEL	A5
TOP COWLING	A5-6
UPPER CASING	F1-2
-MODELS IN THIS CATALOG	A8



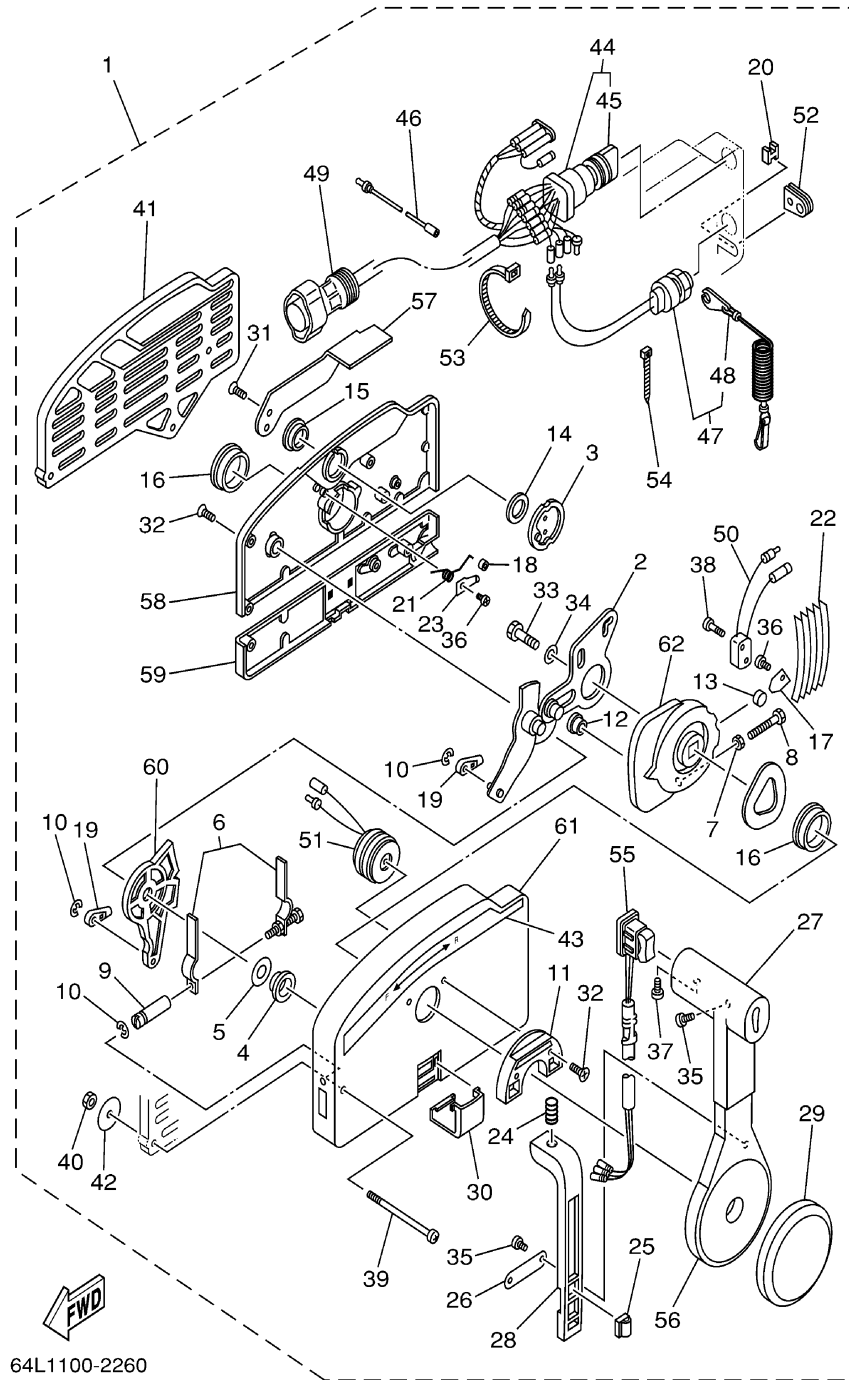
CONTINUED ON NEXT FRAME ►

REMOTE CONTROL ASSY 1

Ref. No.	Part Number	Description	Qty	Remarks
29	703-48225-00-00	. COVER	1	
30	703-48219-00-00	. COVER, LEAD	1	
31	703-48281-00-00	. SCREW	2	
32	703-48282-00-00	. SCREW	7	
33	97380-08030-00	. BOLT	1	
34	92990-08600-00	. WASHER, PLATE	1	
35	98580-04010-00	. SCREW, PAN HEAD	3	
36	98580-04006-00	. SCREW, PAN HEAD	2	
37	98580-05010-00	. SCREW, PAN HEAD	1	
38	98580-03015-00	. SCREW, PAN HEAD	2	
39	703-48291-10-00	. SCREW (M6)	3	
40	95380-06600-00	. NUT, HEXAGON	3	
41	703-48293-10-00	. SPACER, REMOTE CONTROL	1	SINGLE
42	701-48287-00-00	. WASHER	3	
43	703-48215-00-00	. GRAPHIC	1	
44	703-82510-43-00	. MAIN SWITCH ASSY	1	
45	703-82577-00-00	. . CAP KEY	1	
46	703-82531-00-00	. WIRE, LEAD	1	
47	688-82575-01-00	. ENGINE STOP SWITCH	1	
48	682-82556-00-00	. . LANYARD, STOP SWITCH ..	1	
49	688-8258A-20-00	. EXTENSION, WIRE HARNESS	1	L:5M (10P)
50	703-82540-00-00	. NEUTRAL SWITCH ASSY ...	1	
51	703-83383-02-00	. BUZZER	1	
52	703-48284-00-00	. GROMMET	1	
53	703-82591-00-00	. BAND	1	
54	703-82592-00-00	. BAND	1	
55	703-82563-02-00	. TRIM & TILT SWITCH ASSY .	1	WITH PT/T SW.
56	703-48221-00-00	. LEVER, CONTROL	1	
57	703-48152-00-00	. KNOB, FREE ACCEL	1	
58	703-48212-00-00	. BACK PLATE 1	1	

CONTENTS

BOTTOM COWLING	D5-7
BRACKET 1	E2-3
BRACKET 2	E4-5
CONTROL	D8-9,E1
CRANKSHAFT PISTON	A9 ,B1
CYLINDER CRANKCASE 1	A7-8
CYLINDER CRANKCASE 2	B2
ELECTRICAL 1	C7
ELECTRICAL 2	C8-9
ELECTRICAL 3	D1-2
ELECTRICAL 4	D3
FUEL 1	C2-4
FUEL 2	C5
FUEL INJECTION NOZZLE	B5-6
FUEL INJECTION PUMP	B3-4
GENERATOR	C6
INTAKE	B7
LOWER CASING DRIVE 1 SX	F3-6
LOWER CASING DRIVE 2 SX	F7
LOWER CASING DRIVE 3 LX	F8-9,G1-2
LOWER CASING DRIVE 4 LX	G3
METER	A4
OIL PUMP	B8
OIL TANK	B9 ,C1
POWER TRIM & TILT ASSY	E6-9
REMOTE CONTROL ASSY 1	G7-9
REMOTE CONTROL ASSY 2	A1-3
REMOTE CONTROL BOX	G6
REPAIR KIT 1	A6
REPAIR KIT 2	A7
STARTING MOTOR	D4
STEERING GUIDE	
ATTACHMENT 1	G4
STEERING GUIDE	
ATTACHMENT 2	G5
SWITCH PANEL	A5
TOP COWLING	A5-6
UPPER CASING	F1-2
-MODELS IN THIS CATALOG	A8



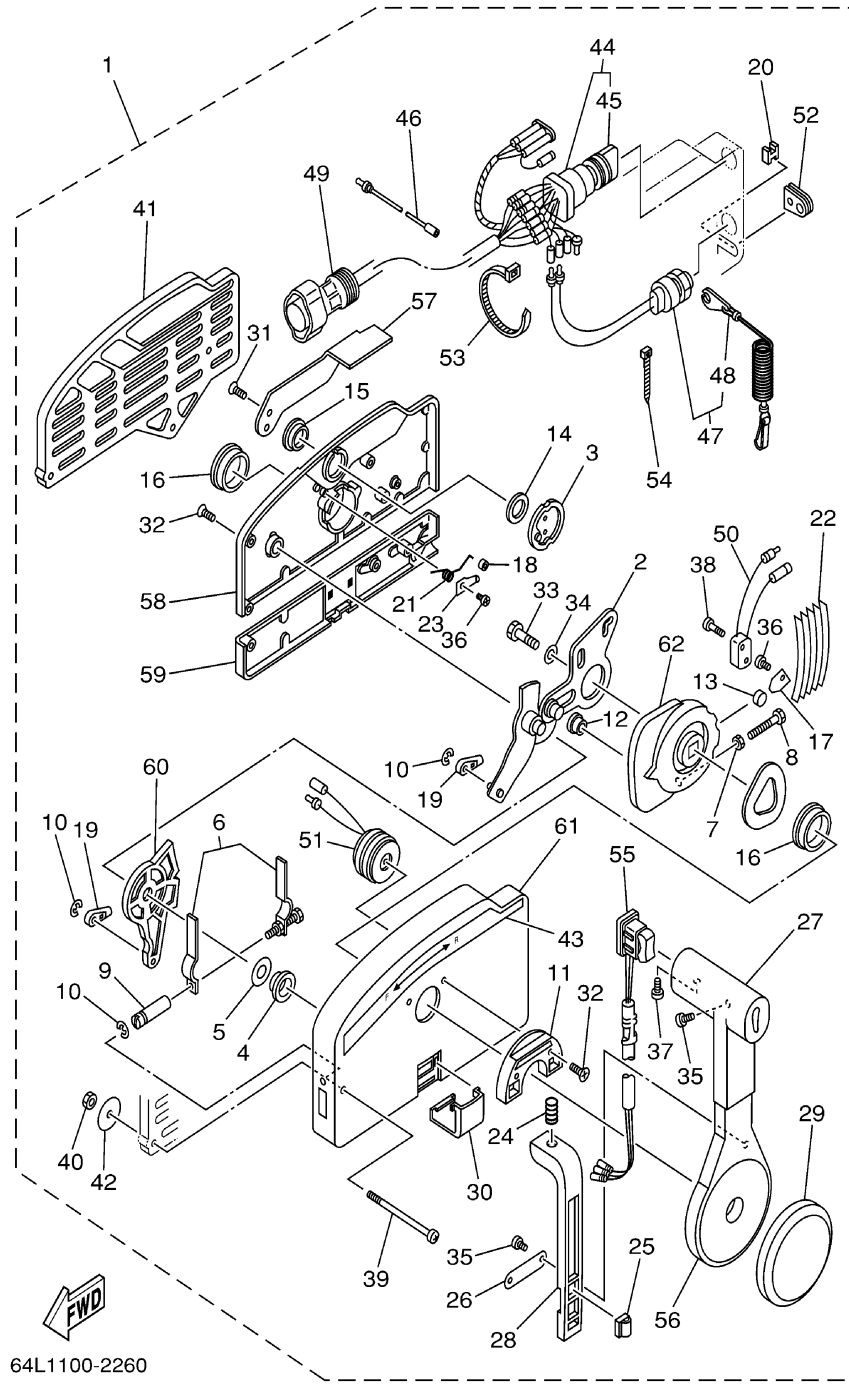
CONTINUED ON NEXT FRAME ►

REMOTE CONTROL ASSY 1

Ref. No.	Part Number	Description	Qty	Remarks
59	703-48213-00-00	. BACK PLATE 2	1	
60	703-48271-00-00	. ARM, SHIFT	1	
61	703-48211-01-00	. HOUSING, 1	1	
62	703-48232-00-00	. GEAR	1	

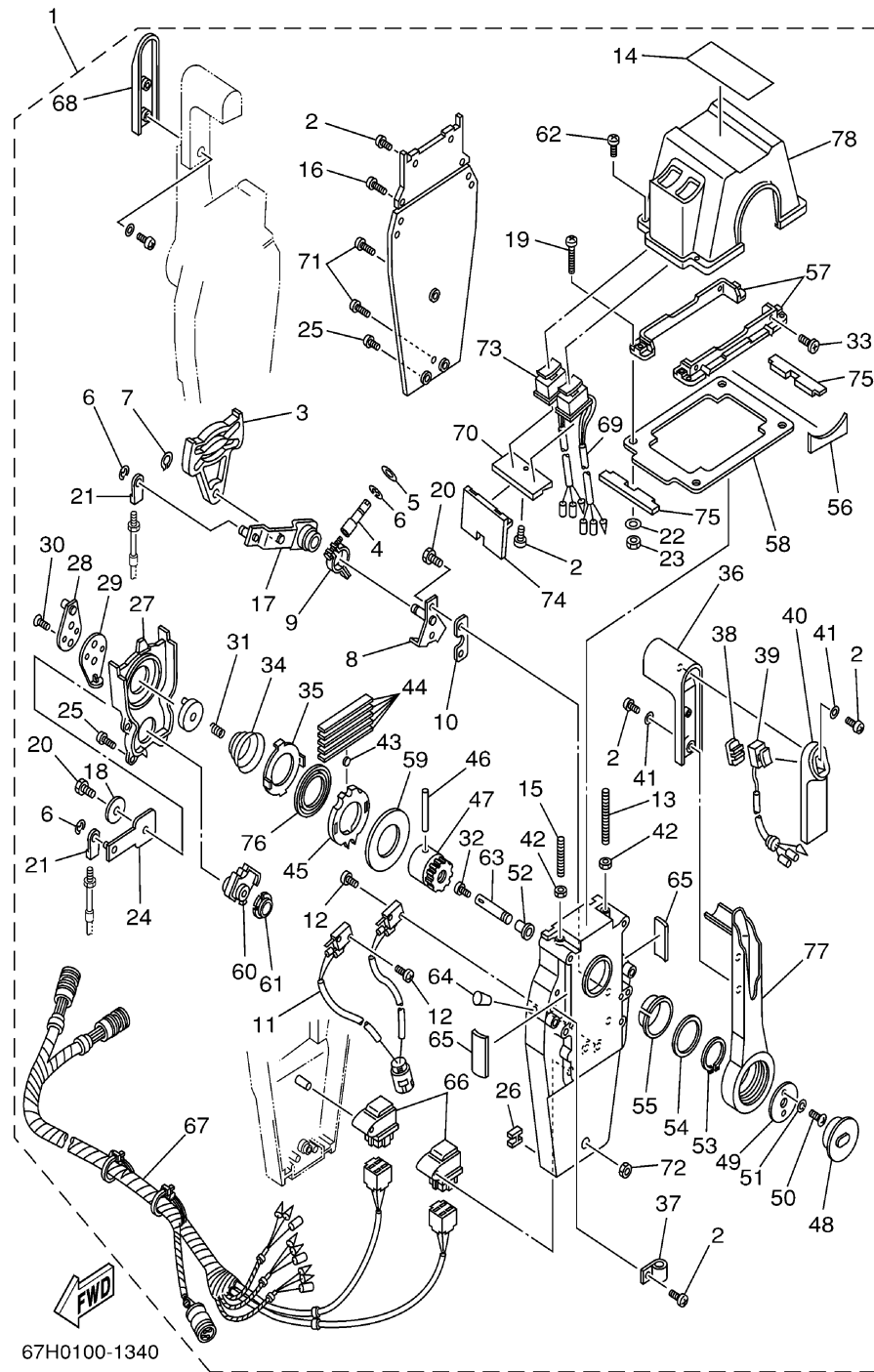
CONTENTS

BOTTOM COWLING	D5-7
BRACKET 1	E2-3
BRACKET 2	E4-5
CONTROL	D8-9,E1
CRANKSHAFT PISTON	A9 ,B1
CYLINDER CRANKCASE 1	A7-8
CYLINDER CRANKCASE 2	B2
ELECTRICAL 1	C7
ELECTRICAL 2	C8-9
ELECTRICAL 3	D1-2
ELECTRICAL 4	D3
FUEL 1	C2-4
FUEL 2	C5
FUEL INJECTION NOZZLE	B5-6
FUEL INJECTION PUMP	B3-4
GENERATOR	C6
INTAKE	B7
LOWER CASING DRIVE 1 SX	F3-6
LOWER CASING DRIVE 2 SX	F7
LOWER CASING DRIVE 3 LX	F8-9,G1-2
LOWER CASING DRIVE 4 LX	G3
METER	A4
OIL PUMP	B8
OIL TANK	B9 ,C1
POWER TRIM & TILT ASSY	E6-9
REMOTE CONTROL ASSY 1	G7-9
REMOTE CONTROL ASSY 2	A1-3
REMOTE CONTROL BOX	G6
REPAIR KIT 1	A6
REPAIR KIT 2	A7
STARTING MOTOR	D4
STEERING GUIDE	
ATTACHMENT 1	G4
STEERING GUIDE	
ATTACHMENT 2	G5
SWITCH PANEL	A5
TOP COWLING	A5-6
UPPER CASING	F1-2
-MODELS IN THIS CATALOG	A8



64L1100-2260

REMOTE CONTROL ASSY 2



67H0100-1340

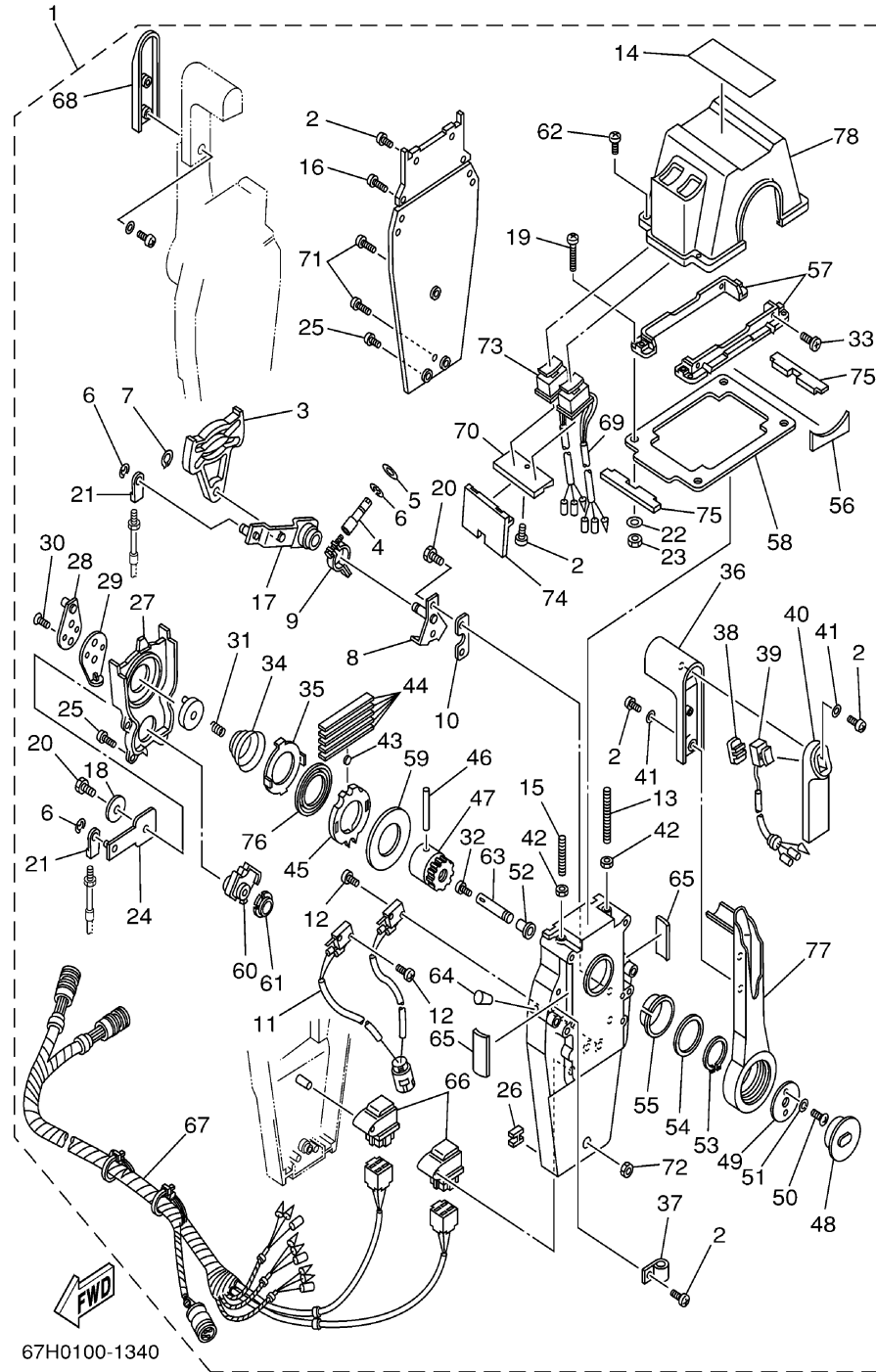
Ref. No.	Part Number	Description	Qty	Remarks
1	704-48207-23-00	REMOTE CONTROL ASSY	1	AP LX225, LX250 WITH PT/T SW.
2	97890-05016-00	. SCREW, PAN HEAD	12	
3	EL8-48251-00-00	. PLATE, CAM	2	
4	704-48265-00-00	. SHIFT, FRICTION	2	
5	701-48246-00-00	. SPACER	2	
6	93430-06024-00	. CIRCLIP	8	
7	EL8-48259-00-00	. CIRCLIP 1	2	
8	704-48262-00-00	. SHAFT, THROTTLE	2	
9	704-48264-00-00	. THROTTLE, FRICTION	2	
10	704-48266-00-00	. SPACER	2	
11	704-82540-10-00	. NEUTRAL SWITCH ASSY	1	
12	6A5-48129-10-00	. SCREW 3	4	
13	EL8-48281-00-00	. SCREW	2	
14	704-48215-10-00	. GRAPHIC	1	
15	704-48281-00-00	. SCREW	2	
16	97890-05025-00	. SCREW, PAN HEAD	4	
17	704-48261-00-00	. ARM, THOTTLE	2	
18	EL8-48191-00-00	. WASHER 1	2	
19	704-48283-00-00	. SCREW	4	
20	97380-06018-00	. BOLT	6	
21	703-48345-01-00	. CABLE END, REMOTE CONTROL 2	4	
22	704-48287-00-00	. WASHER	4	
23	95380-05600-00	. NUT	4	
24	EL8-48271-00-00	. ARM, SHIFT	2	
25	EL8-48127-00-00	. SCREW	16	
26	703-48358-00-00	. ANCHOR, CABALE	2	
27	EL8-48231-00-00	. HOUSING, GEAR	2	
28	EL8-48241-00-00	. ARM, DRIVE	2	
29	EL8-48254-00-00	. STOPPER, THROTTLE ADJUSTING	2	

CONTENTS

BOTTOM COWLING	D5-7
BRACKET 1	E2-3
BRACKET 2	E4-5
CONTROL	D8-9,E1
CRANKSHAFT PISTON	A9 ,B1
CYLINDER CRANKCASE 1	A7-8
CYLINDER CRANKCASE 2	B2
ELECTRICAL 1	C7
ELECTRICAL 2	C8-9
ELECTRICAL 3	D1-2
ELECTRICAL 4	D3
FUEL 1	C2-4
FUEL 2	C5
FUEL INJECTION NOZZLE	B5-6
FUEL INJECTION PUMP	B3-4
GENERATOR	C6
INTAKE	B7
LOWER CASING DRIVE 1 SX	F3-6
LOWER CASING DRIVE 2 SX	F7
LOWER CASING DRIVE 3 LX	F8-9,G1-2
LOWER CASING DRIVE 4 LX	G3
METER	A4
OIL PUMP	B8
OIL TANK	B9 ,C1
POWER TRIM & TILT ASSY	E6-9
REMOTE CONTROL ASSY 1	G7-9
REMOTE CONTROL ASSY 2	A1-3
REMOTE CONTROL BOX	G6
REPAIR KIT 1	A6
REPAIR KIT 2	A7
STARTING MOTOR	D4
STEERING GUIDE ATTACHMENT 1	G4
STEERING GUIDE ATTACHMENT 2	G5
SWITCH PANEL	A5
TOP COWLING	A5-6
UPPER CASING	F1-2
-MODELS IN THIS CATALOG	A8

CONTINUED ON NEXT FRAME ►

REMOTE CONTROL ASSY 2



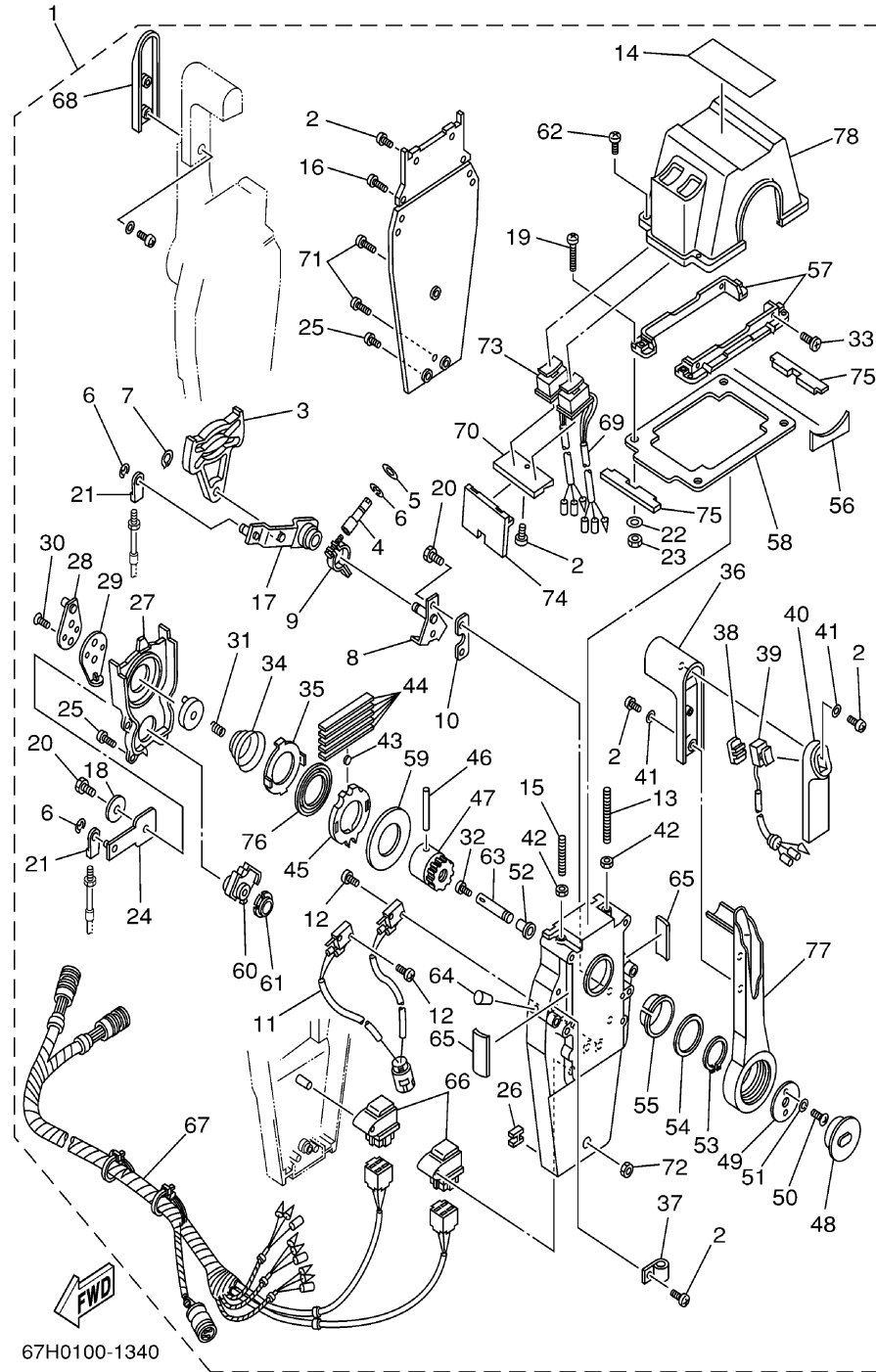
Ref. No.	Part Number	Description	Qty	Remarks
30	92780-06020-00	. SCREW, FLAT HEAD	4	
31	EL8-48158-00-00	. SPRING 1	2	
32	98580-04006-00	. SCREW, PAN HEAD	2	
33	98780-05018-00	. SCREW, FLAT HEAD	4	
34	EL8-48244-00-00	. SPRING, FREE ACCEL	2	
35	EL8-48245-00-00	. PLATE, LOCK	2	
36	704-48222-00-00	. GRIP, CONTROL LEVER	2	
37	704-82594-00-00	. CLAMP	1	
38	704-48228-00-00	. HOLDER, SWITCH	1	
39	704-82563-31-00	. TRIM & TILT SWITCH ASSY	1	
40	704-48229-00-00	. GRIP, CONTROL LEVER	1	
41	92990-05300-00	. WASHER, INTERNAL TOOTH	6	
42	95380-06600-00	. NUT, HEXAGON	4	
43	701-48248-00-00	. ROLLER, FREE ACCEL	2	
44	703-48238-00-00	. SPRING, DETENT	10	
45	EL8-48232-00-00	. GEAR 1	2	
46	EL8-48164-00-00	. PIN 2	2	
47	704-48242-00-00	. SHIFT, DRIVE	2	
48	704-48225-00-00	. COVER	2	
49	704-48192-00-00	. WASHER 2	2	
50	97890-06018-00	. SCREW, PAN HEAD	4	
51	92990-06300-00	. WASHER, INTERNAL TOOTH	4	
52	702-48263-00-00	. BUSHING 4	2	
53	EL8-48279-00-00	. CIRCLIP 2	2	
54	704-48193-00-00	. WASHER 3	2	
55	EL8-48234-00-00	. BUSHING 1	2	
56	704-48219-00-00	. COVER, LEAD	2	
57	704-48144-00-00	. PLATE, STOPPER 2	2	
58	704-48176-10-00	. GROMMET	1	
59	703-48192-00-00	. WASHER 2	2	

CONTENTS

BOTTOM COWLING	D5-7
BRACKET 1	E2-3
BRACKET 2	E4-5
CONTROL	D8-9,E1
CRANKSHAFT PISTON	A9 ,B1
CYLINDER CRANKCASE 1	A7-8
CYLINDER CRANKCASE 2	B2
ELECTRICAL 1	C7
ELECTRICAL 2	C8-9
ELECTRICAL 3	D1-2
ELECTRICAL 4	D3
FUEL 1	C2-4
FUEL 2	C5
FUEL INJECTION NOZZLE	B5-6
FUEL INJECTION PUMP	B3-4
GENERATOR	C6
INTAKE	B7
LOWER CASING DRIVE 1 SX	F3-6
LOWER CASING DRIVE 2 SX	F7
LOWER CASING DRIVE 3 LX	F8-9,G1-2
LOWER CASING DRIVE 4 LX	G3
METER	A4
OIL PUMP	B8
OIL TANK	B9 ,C1
POWER TRIM & TILT ASSY	E6-9
REMOTE CONTROL ASSY 1	G7-9
REMOTE CONTROL ASSY 2	A1-3
REMOTE CONTROL BOX	G6
REPAIR KIT 1	A6
REPAIR KIT 2	A7
STARTING MOTOR	D4
STEERING GUIDE ATTACHMENT 1	G4
STEERING GUIDE ATTACHMENT 2	G5
SWITCH PANEL	A5
TOP COWLING	A5-6
UPPER CASING	F1-2
-MODELS IN THIS CATALOG	A8

CONTINUED ON NEXT FRAME ►

REMOTE CONTROL ASSY 2



67H0100-1340

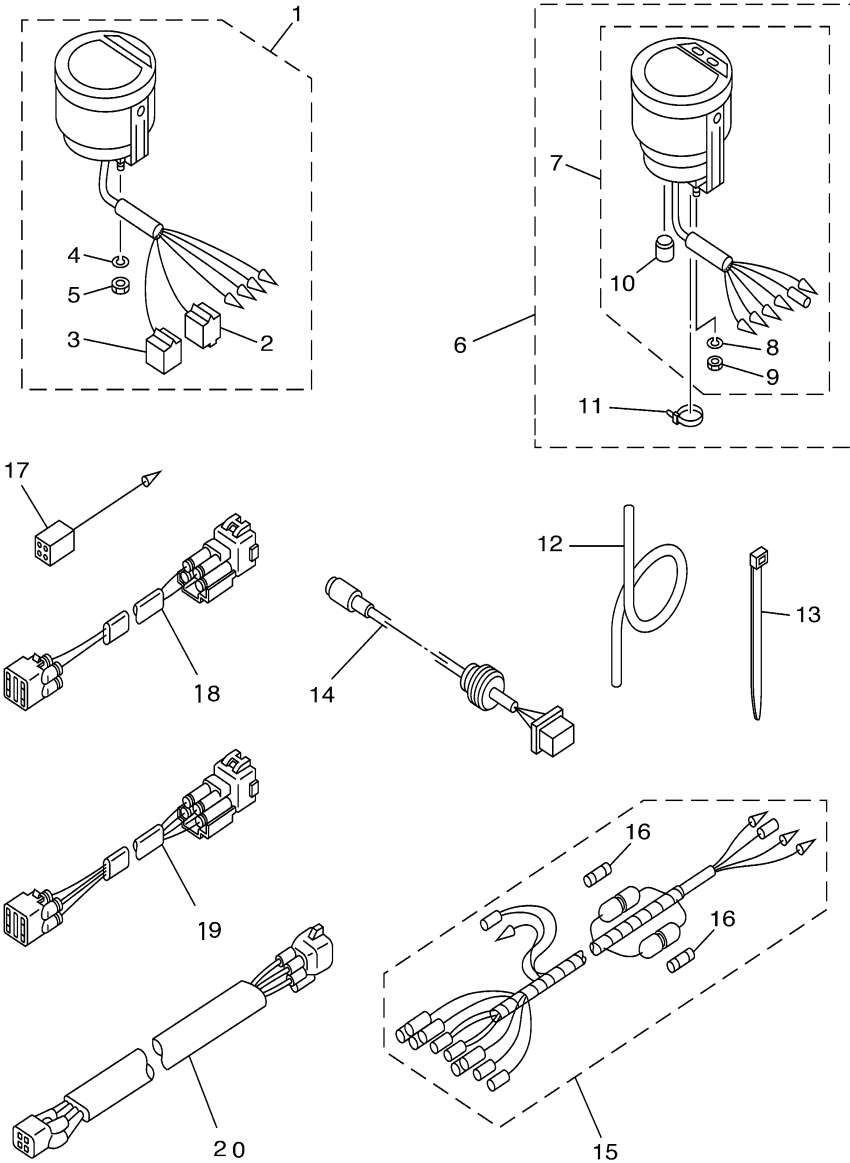
Ref. No.	Part Number	Description	Qty	Remarks
60	EL8-48233-00-00	. GEAR 2	2	
61	703-48235-00-00	. BUSHING	2	
62	704-48282-00-00	. SCREW	4	
63	EL8-48153-10-00	. SHAFT, FREE ACCEL.	2	
64	704-48166-00-00	. PLUG	2	
65	704-48284-00-00	. GROMMET	4	
66	704-81950-00-00	. RELAY ASSY	2	
67	704-82590-10-00	. WIRE HARNESS ASSY	1	
68	704-48229-10-00	. GRIP, CONTROL LEVER	1	
69	704-82563-E0-00	. TRIM & TILT SWITCH ASSY	1	
70	704-48228-10-00	. HOLDER, SWITCH	1	
71	704-48128-00-00	. SCREW 2	3	
72	704-48156-00-00	. NUT 1	1	
73	704-82563-F0-00	. TRIM & TILT SWITCH ASSY	1	
74	704-48285-00-00	. GROMMET 2	1	
75	704-48286-00-00	. GROMMET 3	2	
76	704-48178-00-00	. PLATE, SHIFT	2	
77	704-48221-00-00	. LEVER, CONTROL	2	
78	704-48119-20-00	. COVER	1	

CONTENTS

BOTTOM COWLING	D5-7
BRACKET 1	E2-3
BRACKET 2	E4-5
CONTROL	D8-9,E1
CRANKSHAFT PISTON	A9 ,B1
CYLINDER CRANKCASE 1	A7-8
CYLINDER CRANKCASE 2	B2
ELECTRICAL 1	C7
ELECTRICAL 2	C8-9
ELECTRICAL 3	D1-2
ELECTRICAL 4	D3
FUEL 1	C2-4
FUEL 2	C5
FUEL INJECTION NOZZLE	B5-6
FUEL INJECTION PUMP	B3-4
GENERATOR	C6
INTAKE	B7
LOWER CASING DRIVE 1 SX	F3-6
LOWER CASING DRIVE 2 SX	F7
LOWER CASING DRIVE 3 LX	F8-9,G1-2
LOWER CASING DRIVE 4 LX	G3
METER	A4
OIL PUMP	B8
OIL TANK	B9 ,C1
POWER TRIM & TILT ASSY	E6-9
REMOTE CONTROL ASSY 1	G7-9
REMOTE CONTROL ASSY 2	A1-3
REMOTE CONTROL BOX	G6
REPAIR KIT 1	A6
REPAIR KIT 2	A7
STARTING MOTOR	D4
STEERING GUIDE	
ATTACHMENT 1	G4
STEERING GUIDE	
ATTACHMENT 2	G5
SWITCH PANEL	A5
TOP COWLING	A5-6
UPPER CASING	F1-2
-MODELS IN THIS CATALOG	A8

METER

Ref. No.	Part Number	Description	Qty	Remarks
1	6Y5-8350T-01-00	DIGITAL TACHOMETER ASSY	1	AP
2	9E450-04433-00	. CONNECTOR	1	M-4-W
3	9E450-04533-00	.CONNECTOR	1	F-4-W
4	92990-04100-00	. WASHER, SPRING	2	
5	95380-04600-00	. NUT	2	
6	6Y5-83500-S5-00	DIGITAL SPEEDOMETER ASSY	1	AP SX225, SX250
7	6Y5-83570-S5-00	. SPEEDOMETER ASSY	1	
8	92990-04100-00	. . WASHER, SPRING	2	
9	95380-04600-00	. . NUT	2	
10	6Y5-83533-T2-00	. . .GROMMET	1	
11	90465-11M10-00	. CLAMP	1	
12	6Y5-83557-00-00	TUBE (6M)	1	AP SX225, SX250
13	90465-11M10-00	CLAMP	2	AP SX225, SX250
14	6Y5-87122-S0-00	CORD ASSY 1	1	AP SX225, SX250
15	6Y5-83553-00-00	WIRE, LEAD (L=2.5M)	1	AP LX225, LX250
	6Y5-83553-M0-00	WIRE, LEAD (L=2.5M)	1	AP SX225, SX250
16	1E6-82151-00-00	. FUSE (10A)	1	FOR 6Y5-83553-00
	1E6-82151-00-00	. FUSE (10A)	2	FOR 6Y5-83553-M0
17	6Y5-82117-00-00	WIRE, LEAD (BLACK)	1	AP SX225, SX250
18	6R3-82521-70-00	WIRE, LEAD	1	AP SX225, SX250 7M
	6R3-82521-80-00	WIRE, LEAD	1	AP LX225, LX250 8M
19	6R3-82553-80-00	OIL, TRIM EXTENSION 26.2	1	AP LX225, LX250 4P, 8M
	6R3-82553-70-00	TRIM HARNESS (23FT)	1	AP SX225,SX250 4P, 7M
20	6R3-82553-30-00	TRIM HARNESS 10FT	2	AP LX225, LX250



61A1700-2290

CONTENTS

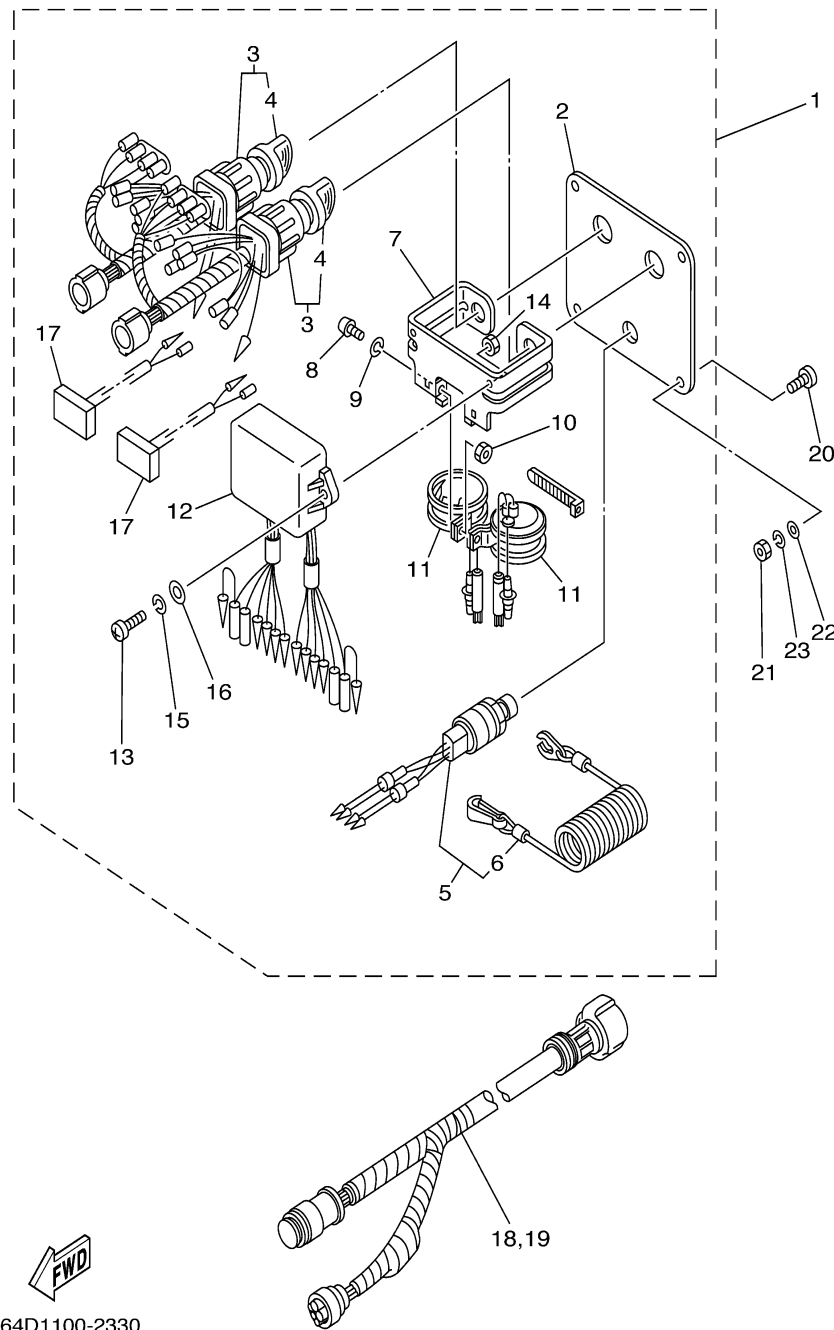
BOTTOM COWLING	D5-7
BRACKET 1	E2-3
BRACKET 2	E4-5
CONTROL	D8-9,E1
CRANKSHAFT PISTON	A9 ,B1
CYLINDER CRANKCASE 1	A7-8
CYLINDER CRANKCASE 2	B2
ELECTRICAL 1	C7
ELECTRICAL 2	C8-9
ELECTRICAL 3	D1-2
ELECTRICAL 4	D3
FUEL 1	C2-4
FUEL 2	C5
FUEL INJECTION NOZZLE	B5-6
FUEL INJECTION PUMP	B3-4
GENERATOR	C6
INTAKE	B7
LOWER CASING DRIVE 1 SX	F3-6
LOWER CASING DRIVE 2 SX	F7
LOWER CASING DRIVE 3 LX	F8-9,G1-2
LOWER CASING DRIVE 4 LX	G3
METER	A4
OIL PUMP	B8
OIL TANK	B9 ,C1
POWER TRIM & TILT ASSY	E6-9
REMOTE CONTROL ASSY 1	G7-9
REMOTE CONTROL ASSY 2	A1-3
REMOTE CONTROL BOX	G6
REPAIR KIT 1	A6
REPAIR KIT 2	A7
STARTING MOTOR	D4
STEERING GUIDE	
ATTACHMENT 1	G4
STEERING GUIDE	
ATTACHMENT 2	G5
SWITCH PANEL	A5
TOP COWLING	A5-6
UPPER CASING	F1-2
-MODELS IN THIS CATALOG	A8

SWITCH PANEL

Ref. No.	Part Number	Description	Qty	Remarks
1	6K1-82570-07-00	PANEL SWITCH ASSY	1	AP LX225, LX250
2	6K1-82571-01-00	. . PANEL, SWITCH	1	
3	6K1-82510-06-00	. MAIN SWITCH ASSY	2	
4	703-82577-00-00	. . CAP KEY	1	
5	6K1-82575-00-00	. ENGINE STOP SWITCH	1	
6	682-82556-00-00	. . LANYARD, STOP SWITCH	1	
7	6K1-83614-01-00	. . BRACKET	1	
8	98980-05010-00	. . SCREW, BIND	2	
9	92990-05100-00	. WASHER, SPRING	2	
10	95380-05600-00	. NUT	2	
11	688-83383-11-00	. BUZZER	2	
12	6K1-85830-01-00	. CONTROL UNIT ASSY	1	
13	98980-06020-00	. SCREW, BIND	2	
14	95380-06600-00	. NUT, HEXAGON	2	
15	92990-06100-00	. WASHER, SPRING	2	
16	92990-06600-00	. WASHER, PLATE	2	
17	6K1-81980-00-00	. DIODE ASSY	2	
18	6K1-8258A-40-00	EXTENSION, WIRE HARNESS (8M)	1	AP LX225, LX250
19	61B-8258A-01-00	EXTENSION, WIRE HARNESS (9.5M)	1	AP LX225, LX250
20	90149-05M05-00	SCREW	4	AP LX225, LX250
21	95380-05600-00	NUT	4	AP LX225, LX250
22	92990-05600-00	WASHER, PLATE	4	AP LX225, LX250
23	92990-05100-00	WASHER, SPRING	4	AP LX225, LX250

CONTENTS

BOTTOM COWLING	D5-7
BRACKET 1	E2-3
BRACKET 2	E4-5
CONTROL	D8-9,E1
CRANKSHAFT PISTON	A9 ,B1
CYLINDER CRANKCASE 1	A7-8
CYLINDER CRANKCASE 2	B2
ELECTRICAL 1	C7
ELECTRICAL 2	C8-9
ELECTRICAL 3	D1-2
ELECTRICAL 4	D3
FUEL 1	C2-4
FUEL 2	C5
FUEL INJECTION NOZZLE	B5-6
FUEL INJECTION PUMP	B3-4
GENERATOR	C6
INTAKE	B7
LOWER CASING DRIVE 1 SX	F3-6
LOWER CASING DRIVE 2 SX	F7
LOWER CASING DRIVE 3 LX	F8-9,G1-2
LOWER CASING DRIVE 4 LX	G3
METER	A4
OIL PUMP	B8
OIL TANK	B9 ,C1
POWER TRIM & TILT ASSY	E6-9
REMOTE CONTROL ASSY 1	G7-9
REMOTE CONTROL ASSY 2	A1-3
REMOTE CONTROL BOX	G6
REPAIR KIT 1	A6
REPAIR KIT 2	A7
STARTING MOTOR	D4
STEERING GUIDE	
ATTACHMENT 1	G4
STEERING GUIDE	
ATTACHMENT 2	G5
SWITCH PANEL	A5
TOP COWLING	A5-6
UPPER CASING	F1-2
-MODELS IN THIS CATALOG	A8

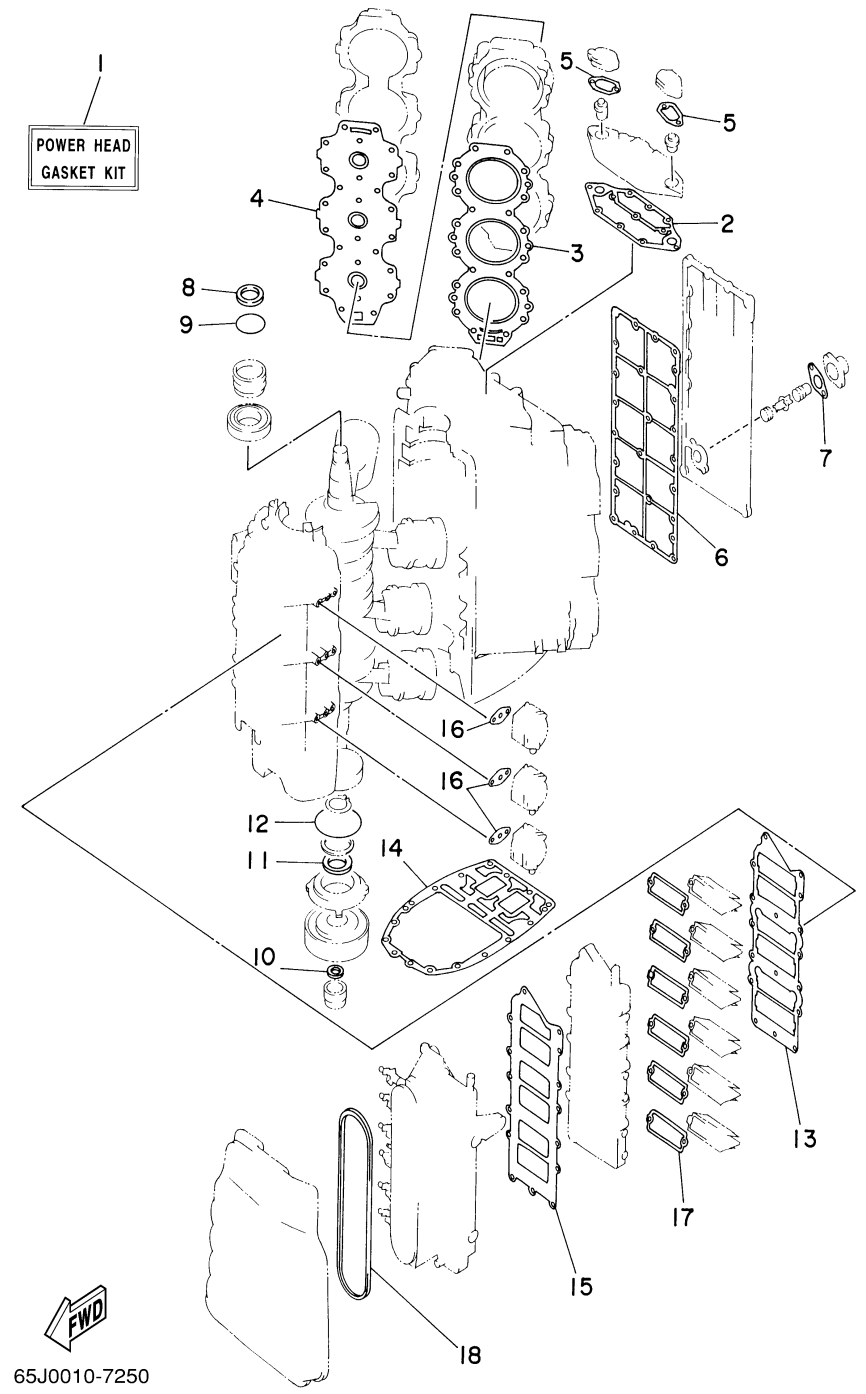


REPAIR KIT 1

Ref. No.	Part Number	Description	Qty	Remarks
1	65L-W0001-02-00	POWER HEAD GASKET KIT ..	1	
2	61A-11381-A0-00	..GASKET 1	1	
3	69L-11181-00-00	..GASKET, CYLINDER HEAD 1	2	
4	61A-11193-A1-00	..GASKET, HEAD COVER 1 ..	2	
5	61A-12414-A0-00	..GASKET, COVER	2	
6	61A-41112-A0-00	..GASKET, EXHAUST INNER COVER	1	
7	6G5-11382-A1-00	..GASKET 2	1	
8	93102-40M38-00	..OIL SEAL	1	
9	93210-54M54-00	..O-RING	1	
10	93104-22M07-00	..OIL SEAL	1	
11	93102-40M36-00	..OIL SEAL	1	
12	93210-81MA6-00	..O-RING	1	
13	65L-13645-00-00	..GASKET, MANIFOLD 1	1	
14	61A-45113-A0-00	..GASKET, UPPER CASING ..	1	
15	65L-13646-00-00	..GASKET, MANIFOLD 2	1	
16	650-24431-A0-00	..GASKET, FUEL PUMP 1	3	
17	61A-13621-A0-00	..GASKET, VALVE SEAT	6	
18	65L-14483-00-00	..GASKET	1	

CONTENTS

BOTTOM COWLING	D5-7
BRACKET 1	E2-3
BRACKET 2	E4-5
CONTROL	D8-9,E1
CRANKSHAFT PISTON	A9 ,B1
CYLINDER CRANKCASE 1	A7-8
CYLINDER CRANKCASE 2	B2
ELECTRICAL 1	C7
ELECTRICAL 2	C8-9
ELECTRICAL 3	D1-2
ELECTRICAL 4	D3
FUEL 1	C2-4
FUEL 2	C5
FUEL INJECTION NOZZLE	B5-6
FUEL INJECTION PUMP	B3-4
GENERATOR	C6
INTAKE	B7
LOWER CASING DRIVE 1 SX	F3-6
LOWER CASING DRIVE 2 SX	F7
LOWER CASING DRIVE 3 LX	F8-9,G1-2
LOWER CASING DRIVE 4 LX	G3
METER	A4
OIL PUMP	B8
OIL TANK	B9 ,C1
POWER TRIM & TILT ASSY	E6-9
REMOTE CONTROL ASSY 1	G7-9
REMOTE CONTROL ASSY 2	A1-3
REMOTE CONTROL BOX	G6
REPAIR KIT 1	A6
REPAIR KIT 2	A7
STARTING MOTOR	D4
STEERING GUIDE	
ATTACHMENT 1	G4
STEERING GUIDE	
ATTACHMENT 2	G5
SWITCH PANEL	A5
TOP COWLING	A5-6
UPPER CASING	F1-2
-MODELS IN THIS CATALOG	A8



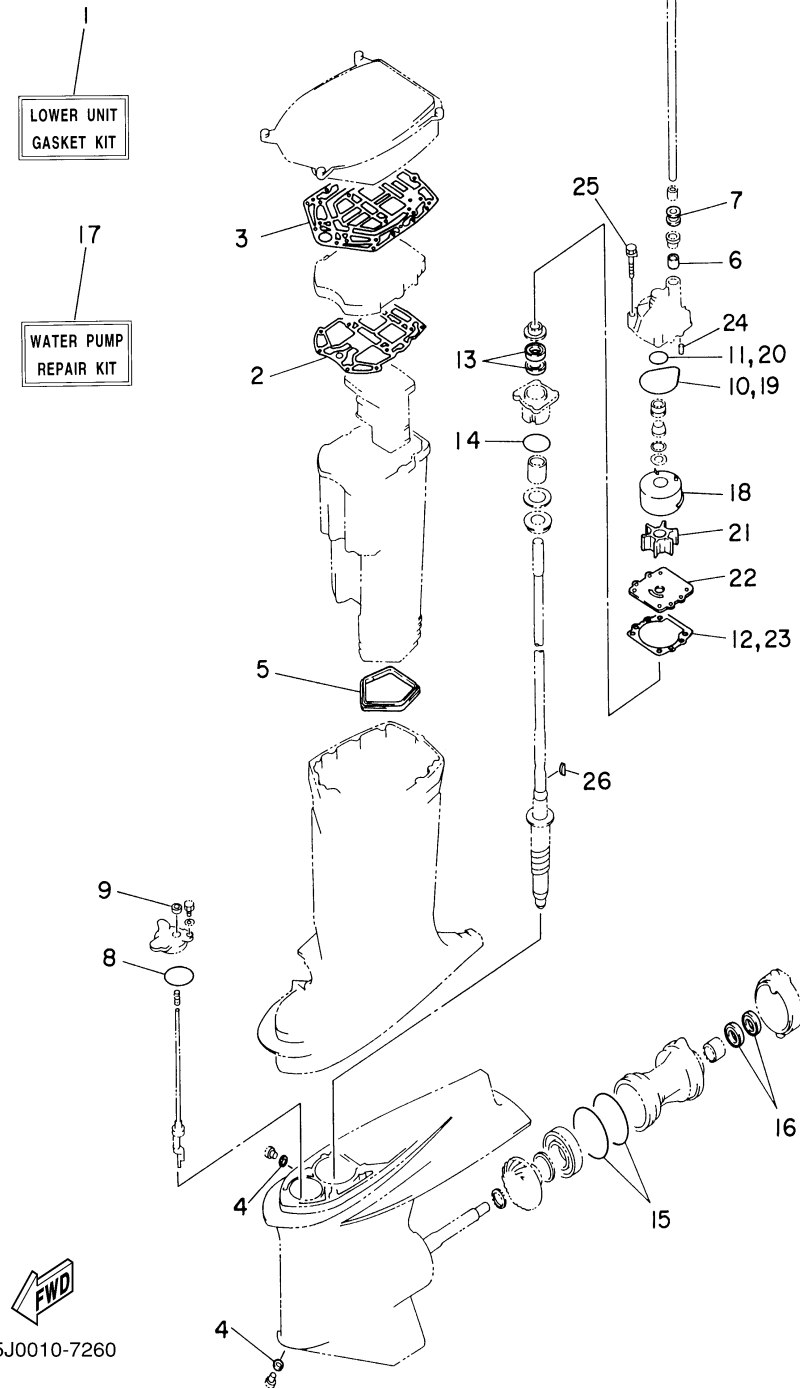
65J0010-7250

REPAIR KIT 2

Ref. No.	Part Number	Description	Qty	Remarks
1	65L-W0001-C0-00	LOWER UNIT GASKET KIT ...	1	
2	61A-41134-A0-00	. GASKET, EXHAUST MANIFOLD	1	
3	61A-45114-A0-00	. GASKET, UPPER CASING ..	1	
4	90430-08020-00	. GASKET	2	
5	61A-45123-01-00	. GASKET, MUFFLER	1	
6	6E5-44365-00-00	. DAMPER, WATER SEAL	1	
7	6E5-44366-00-00	. DAMPER, WATER SEAL	1	
8	93210-64488-00	. O-RING	1	
9	93106-09014-00	. OIL SEAL	1	
10	93210-86M38-00	. O-RING	1	
11	93210-37160-00	. O-RING	1	
12	6E5-44315-A0-00	. GASKET, WATER PUMP	1	
13	93101-28M16-00	. OIL SEAL	2	
14	93210-55M14-00	. O-RING	1	
15	93211-04384-00	. O-RING	2	
16	93101-30M17-00	. OIL SEAL	2	
17	61A-W0078-A3-00	WATER PUMP REPAIR KIT ...	1	
18	61A-44322-02-00	. INSERT, CARTRIDGE	1	
19	93210-86M38-00	. O-RING	1	
20	93210-37160-00	. O-RING	1	
21	6E5-44352-01-00	. IMPELLER	1	
22	6G5-44323-00-00	. OUTER PLATE, CARTRIDGE	1	
23	6E5-44315-A0-00	. GASKET, WATER PUMP	1	
24	93606-12019-00	. PIN, DOWEL	2	
25	90119-08M14-00	. BOLT, WITH WASHER	4	
26	90280-04M05-00	. KEY, WOODRUFF	1	

CONTENTS

BOTTOM COWLING	D5-7
BRACKET 1	E2-3
BRACKET 2	E4-5
CONTROL	D8-9,E1
CRANKSHAFT PISTON	A9 ,B1
CYLINDER CRANKCASE 1	A7-8
CYLINDER CRANKCASE 2	B2
ELECTRICAL 1	C7
ELECTRICAL 2	C8-9
ELECTRICAL 3	D1-2
ELECTRICAL 4	D3
FUEL 1	C2-4
FUEL 2	C5
FUEL INJECTION NOZZLE	B5-6
FUEL INJECTION PUMP	B3-4
GENERATOR	C6
INTAKE	B7
LOWER CASING DRIVE 1 SX	F3-6
LOWER CASING DRIVE 2 SX	F7
LOWER CASING DRIVE 3 LX	F8-9,G1-2
LOWER CASING DRIVE 4 LX	G3
METER	A4
OIL PUMP	B8
OIL TANK	B9 ,C1
POWER TRIM & TILT ASSY	E6-9
REMOTE CONTROL ASSY 1	G7-9
REMOTE CONTROL ASSY 2	A1-3
REMOTE CONTROL BOX	G6
REPAIR KIT 1	A6
REPAIR KIT 2	A7
STARTING MOTOR	D4
STEERING GUIDE	
ATTACHMENT 1	G4
STEERING GUIDE	
ATTACHMENT 2	G5
SWITCH PANEL	A5
TOP COWLING	A5-6
UPPER CASING	F1-2
-MODELS IN THIS CATALOG	A8



~MODELS IN THIS CATALOG

Ref. No.	Part Number	Description	Qty	Remarks
----------	-------------	-------------	-----	---------

SX225TXRB (65J2)
 SX225TURB (65J2)
 SX250TXRB (65L2)
 SX250TURB (65L2)
 LX225TXRB (65K2)
 LX250TXRB (65M2)

CONTENTS

BOTTOM COWLING	D5-7
BRACKET 1	E2-3
BRACKET 2	E4-5
CONTROL	D8-9,E1
CRANKSHAFT PISTON	A9 ,B1
CYLINDER CRANKCASE 1	A7-8
CYLINDER CRANKCASE 2	B2
ELECTRICAL 1	C7
ELECTRICAL 2	C8-9
ELECTRICAL 3	D1-2
ELECTRICAL 4	D3
FUEL 1	C2-4
FUEL 2	C5
FUEL INJECTION NOZZLE	B5-6
FUEL INJECTION PUMP	B3-4
GENERATOR	C6
INTAKE	B7
LOWER CASING DRIVE 1 SX	F3-6
LOWER CASING DRIVE 2 SX	F7
LOWER CASING DRIVE 3 LX	F8-9,G1-2
LOWER CASING DRIVE 4 LX	G3
METER	A4
OIL PUMP	B8
OIL TANK	B9 ,C1
POWER TRIM & TILT ASSY	E6-9
REMOTE CONTROL ASSY 1	G7-9
REMOTE CONTROL ASSY 2	A1-3
REMOTE CONTROL BOX	G6
REPAIR KIT 1	A6
REPAIR KIT 2	A7
STARTING MOTOR	D4
STEERING GUIDE	
ATTACHMENT 1	G4
ATTACHMENT 2	G5
SWITCH PANEL	A5
TOP COWLING	A5-6
UPPER CASING	F1-2
~MODELS IN THIS CATALOG	A8

**ALL THESE MODELS USE THIS SAME PARTS CATALOG.
 BE SURE TO ORDER ONLY THOSE PARTS APPLICABLE
 TO THE DESIRED MODEL.**